

DONGFENG DFA1063DJ10/14-301/302/303

LIGHT TRUCK

SPARE PARTS CATALOG

PEOPLE'S REPUBLIC OF CHINA

DONGFENG AUTOMOBILE CO., LTD.

FOREWORD

1. This catalog includes all the spare parts with their numbers, names, and quantities for DFA1063DJ10/14-301 /302/303 light truck. Part of the installation relation figures of the assembly parts also could be the reference to the customer for purchasing and to the using department.

2. Before purchasing or booking, you have to note the exact and complete part number, part name and quantity.

3. Maybe the same vehicle model select different parts from different supplier, please select correct spare parts when purchasing.

4. This catalog is compiled according to the product drawing before January of 2007. Because of the continuously improving and perfecting of the product, the construction, size or part number of some parts may be changed, please note the product date of your vehicle when booking.

5. This catalog is compiled by the Application File Office, Test Department of Commercial Product R&D Institute of DONGFENG AUTOMOBILE CO., LTD., without the authorization, any part or the whole part of the book can be copied or printed.

**PEOPLE'S REPUBLIC OF CHINA
DONGFENG AUTOMOBILE CO. LTD.**

January 2007

INSTRUCTION

This catalog compiles all spare parts with their numbers, names, quantities and figure of every assembly for DFA1063DJ10-301, DFA1063DJ10-302, DFA1063DJ10-303, DFA1063DJ14-301, DFA1063DJ14-302 and DFA1063DJ14-303 light truck. It gives reference to our clients for purchasing or ordering the spare parts.

1. Edition of the figure mark:

□××○○

□--the letter represents the English name of the assembly system

××--group number of the automobile system

○○--ordered number of the part disassembly figure of the group number

2. The represented meaning of the system assembly letters

EN--Engine system

CL--Clutch

TM--Transmission

FS--Frame & suspension system

PS--Propeller shaft

FA--Front axle

RA--Rear axle

WS--Wheel & spare tire carrier

ST--Steering system

BS--Brake system

EL--Electric system

CA--Cab

TO-- Tools

CP--Cargo body

3.. Edition of the page number

○○△-- ××

○○--ordered number of the assembly or the system

△---identification number

×× -- page number of the part figure and word of assembly and system.

4. The difference of vehicle equipment

Vehicle Type	The Difference of Vehicle Equipment
DFA1063DJ10/14-301	with air-condition
DFA1063DJ10/14-302	with power steering pipeline
DFA1063DJ10/14-303	with air-condition and power steering pipeline

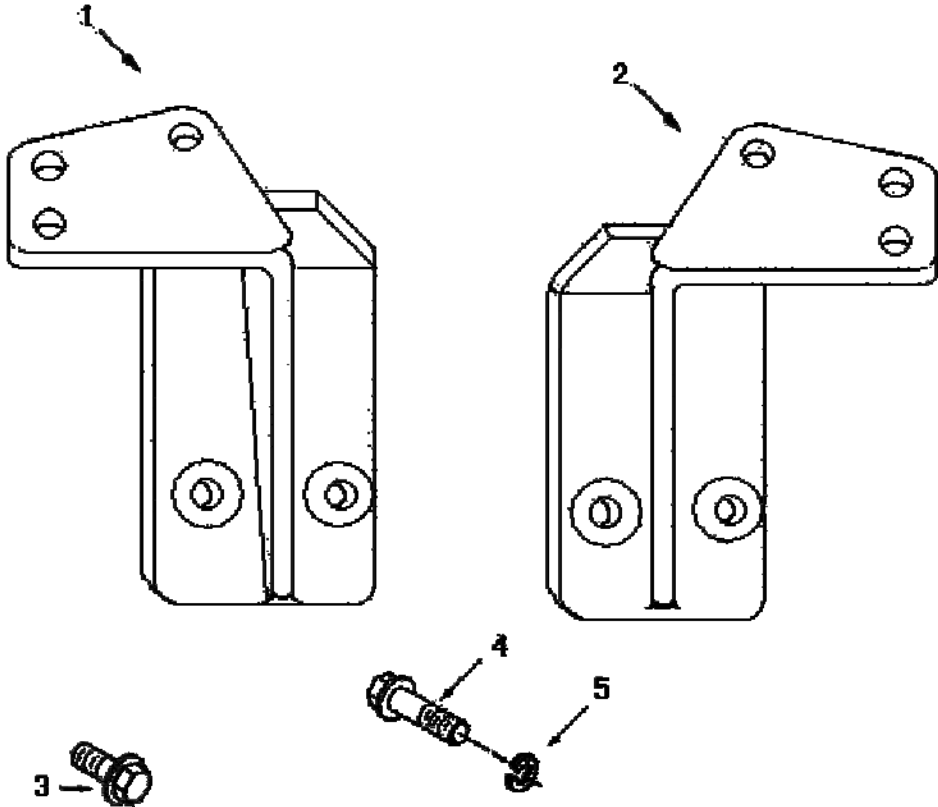
1. ENGINE

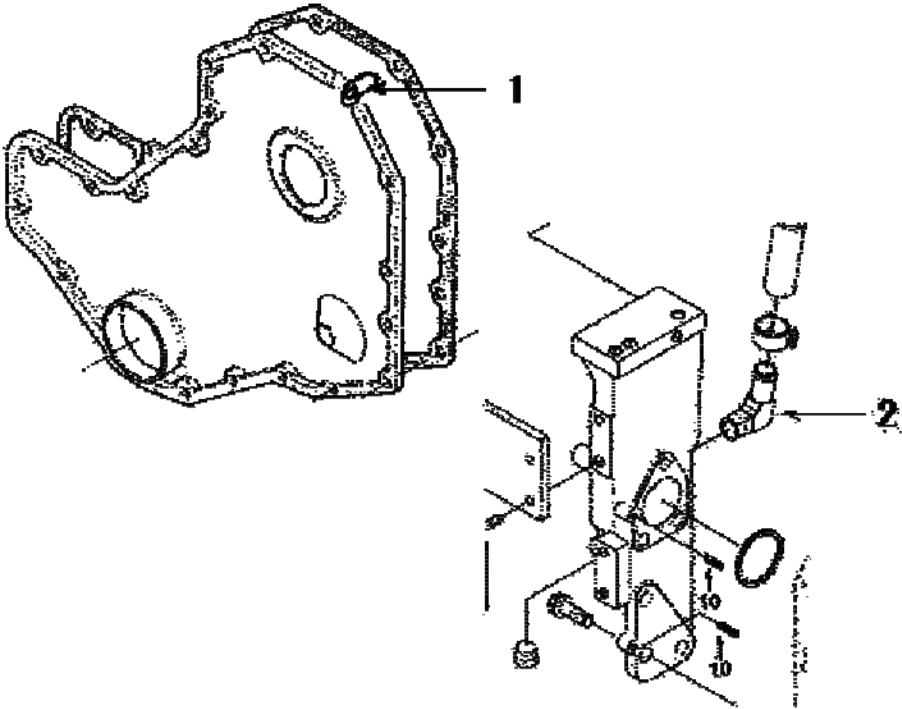
Engine Assembly	1-5
EQB125-01 Engine Front Support.....	1-6
EQB125-02 BRACKET,CABLE.....	1-8
EQB125-03 BOARD, FIXATION.....	1-10
EQB125-04 CLUTCH, REAR	1-12
EQB125-05 CLUTCH, REAR	1-14
EQB125-06 WIRE, ENGINE.....	1-16
EQB125-07 SWITCH, WATER INLET.....	1-18
EQB125-08 CONNECTOR, TUBE	1-20
EQB125-09 ALTERNATOR	1-22
EQB125-10 PULLEY, CRANKSHAFT	1-24
EQB125-11 APPROVAL, AGENCY.....	1-26

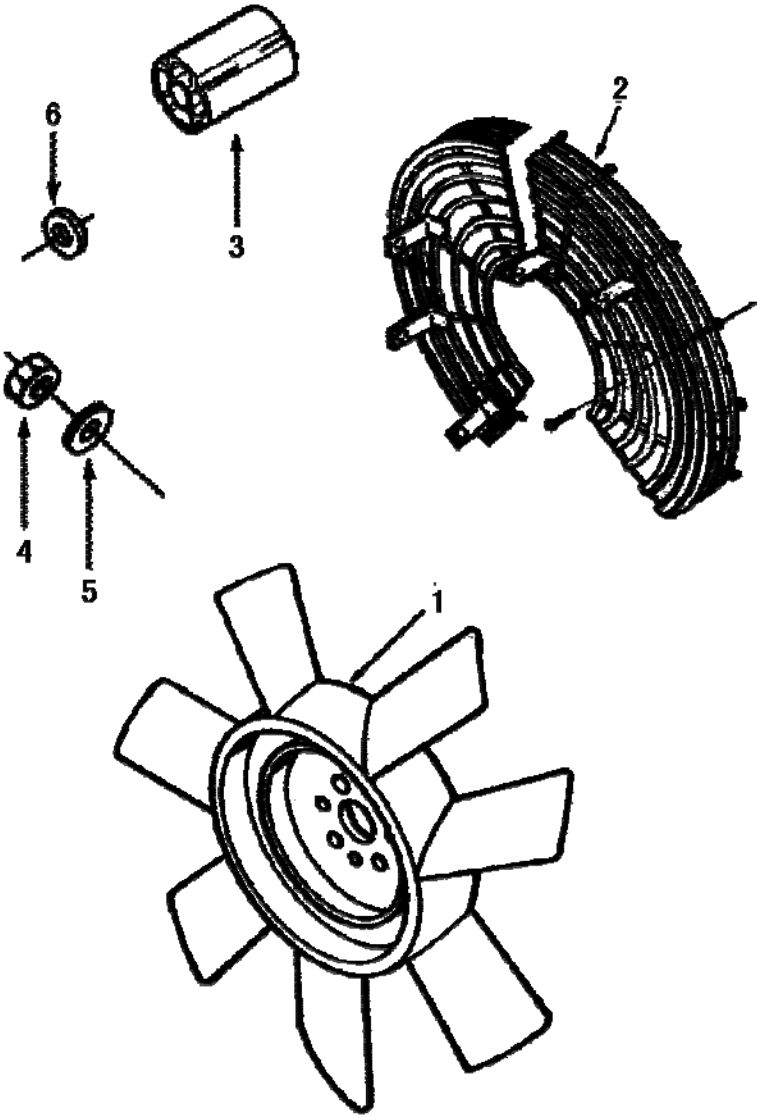
EQB125-12 Block,Engine	1-28
EQB125-13 COVER,FRONT GEAR.....	1-31
EQB125-14 LEVER,ROCKER.....	1-33
EQB125-15 FOLLOWER,CAM.....	1-35
EQB125-16 PLUMBINGCPR COOLANT.....	1-37
EQB125-17 Compressor,Refrigerant.....	1-39
EQB125-18 COVER,CAM FOLLOWER.....	1-41
EQB125-19 COMPRESSOR,AIR.....	1-43
EQB125-20 CONNECTION.....	1-45
EQB125-21 Control,Engine Brake.....	1-47
EQB125-22 THERMOSTAT.....	1-49
EQB125-23 LOCATION,ALTERNATOR.....	1-51
EQB125-24 SENSOR,TEMPERATURE.....	1-53
EQB125-25 SENSOR,OIL PRESSURE.....	1-55
EQB125-26 SENSOR,SPEED.....	1-57
EQB125-27 DRIVE,FAN 1.....	1-59

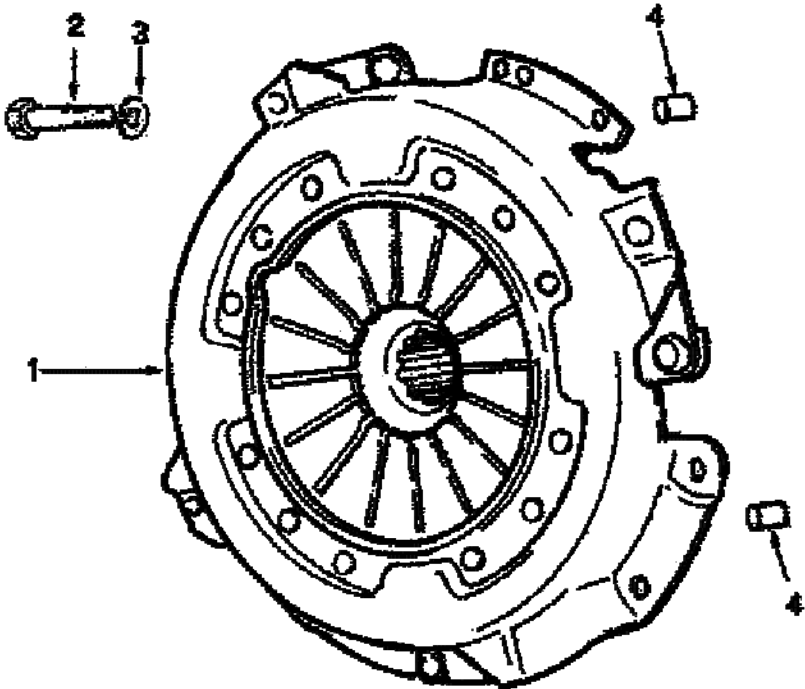
EQB125-28 DRIVE,FAN 2	1-61
EQB125-29 PLUMBINGAIR FUEL	1-63
EQB125-30 FILTER,FUEL 1	1-65
EQB125-31 FILTER,FUEL 2.....	1-67
EQB125-32 HOUSINGFLYWHEEL	1-69
EQB125-33 COUPLINGFUEL PUMP.....	1-71
EQB125-34 PUMP,BASE FUEL	1-73
EQB125-35 PUMP,LIFT.....	1-75
EQB125-36 PLUMBINGFUEL	1-77
EQB125-37 Flywheel.....	1-79
EQB125-38 CONNECTION,TUR COMPR.....	1-81
EQB125-39 BRACKET,LIFTING.....	1-83
EQB125-40 LABEL, ENGINE	1-85
EQB125-41 Cooler,Engine oil.....	1-87
EQB125-42 GAUGE,OIL LEVEL.....	1-89
EQB125-43 PUMP,LUBRICATING OIL	1-91
EQB125-44 COVER,CYLINDER BLOCK.....	1-93

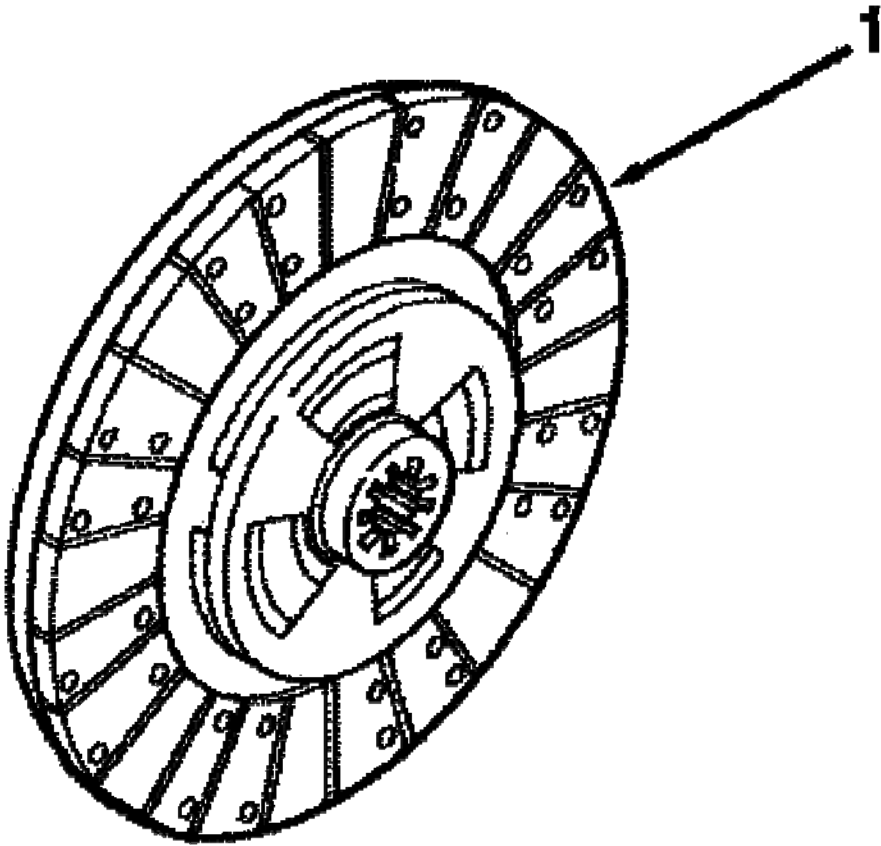
EQB125-45 PAN,OIL	1-95
EQB125-46 PERFORMANCE PARTS	1-97
EQB125-47 HEAD,CYLINDER.....	1-100
EQB125-48 TURBOCHARGER	1-102
EQB125-49 MOUNTINGSTARTER	1-104
EQB125-50 BEARING.....	1-106
EQB125-51 MOTOR,STARTING.....	1-108
EQB125-52 LOCATION,TURBOCHARGER	1-110
EQB125-53 HOUSING,THERMOSTAT	1-112
EQB125-54 Lever,Throttle.....	1-114
EQB125-55 PLUMBINGTURBOCHARGER.....	1-116
EQB125-56 Cover,Valve.....	1-118
EQB125-57 CONNECTION,WATER	1-120
EQB125-58 PUMP,WATER	1-122

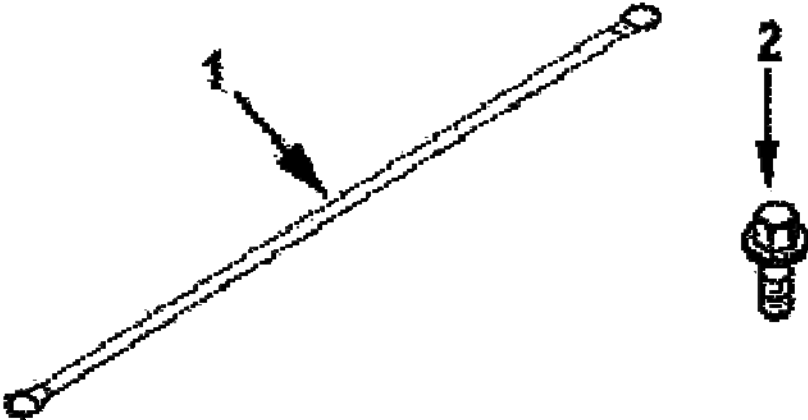


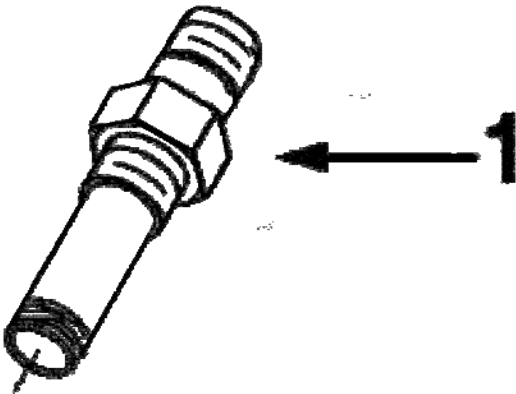






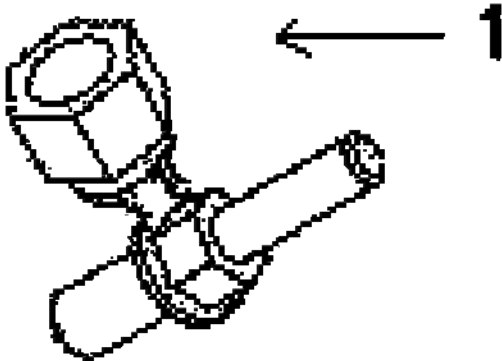


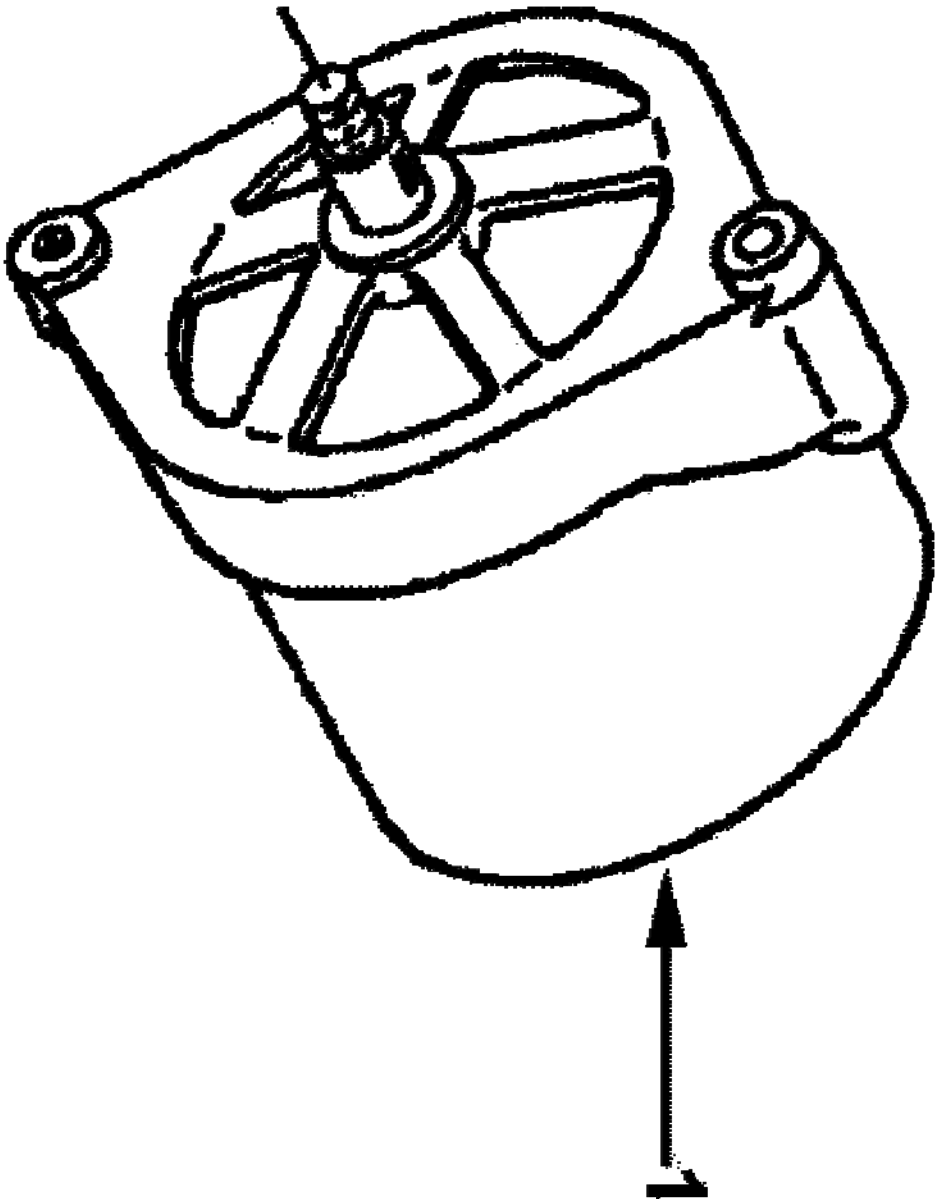


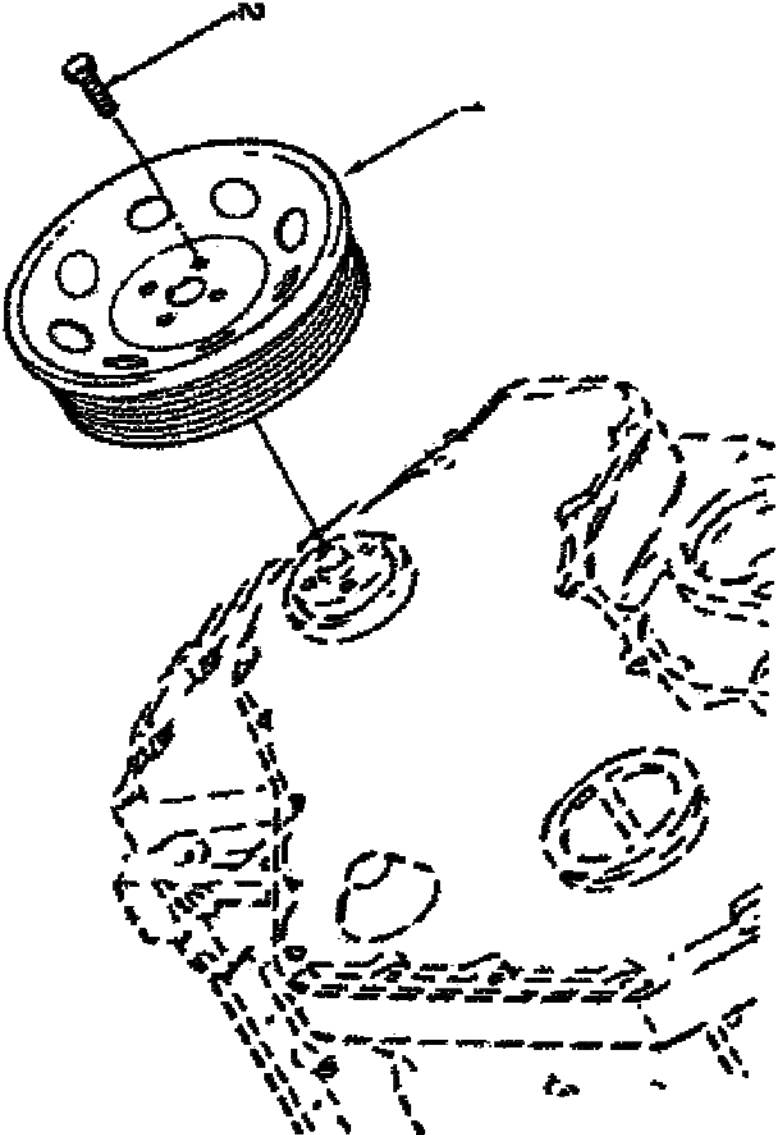


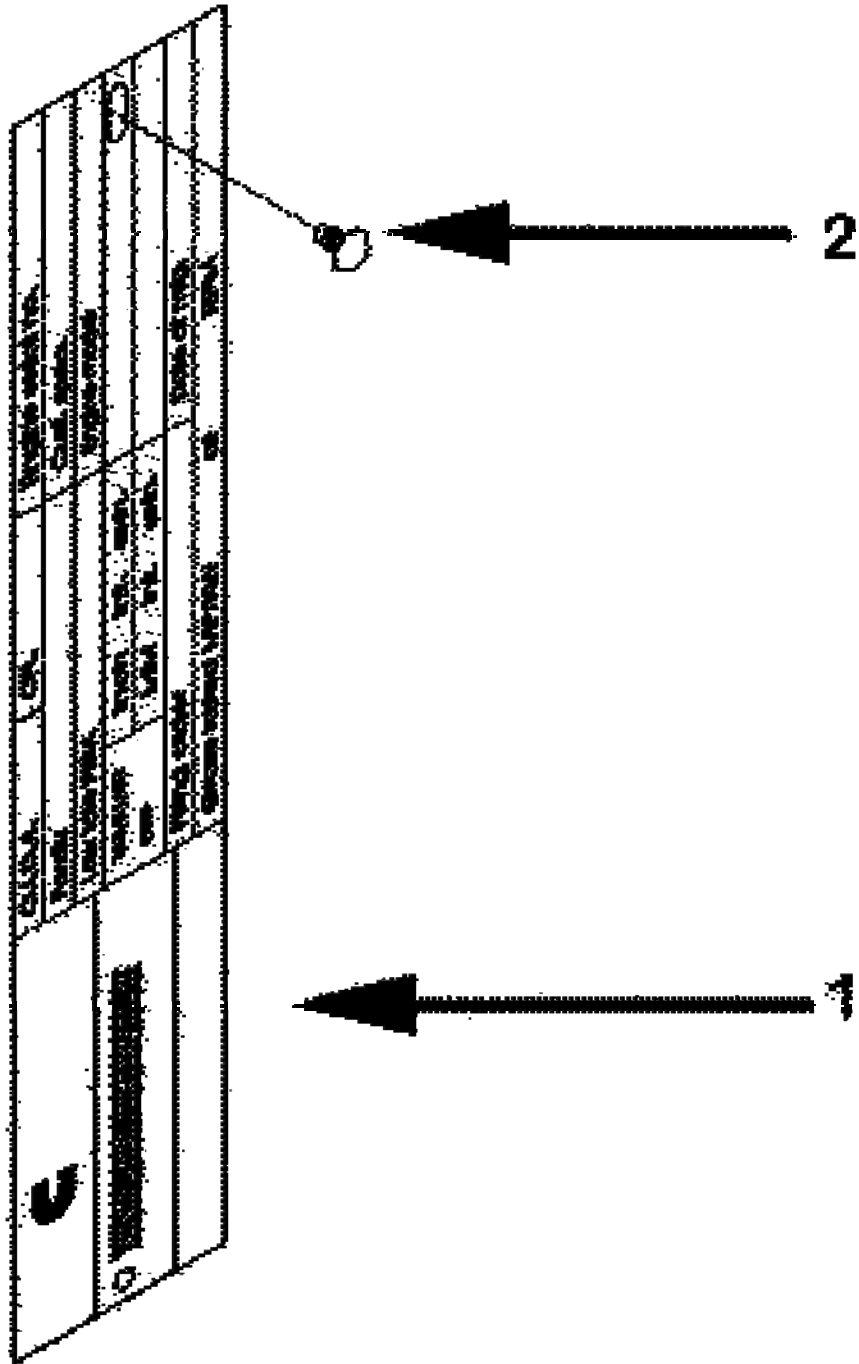
EQB125-08

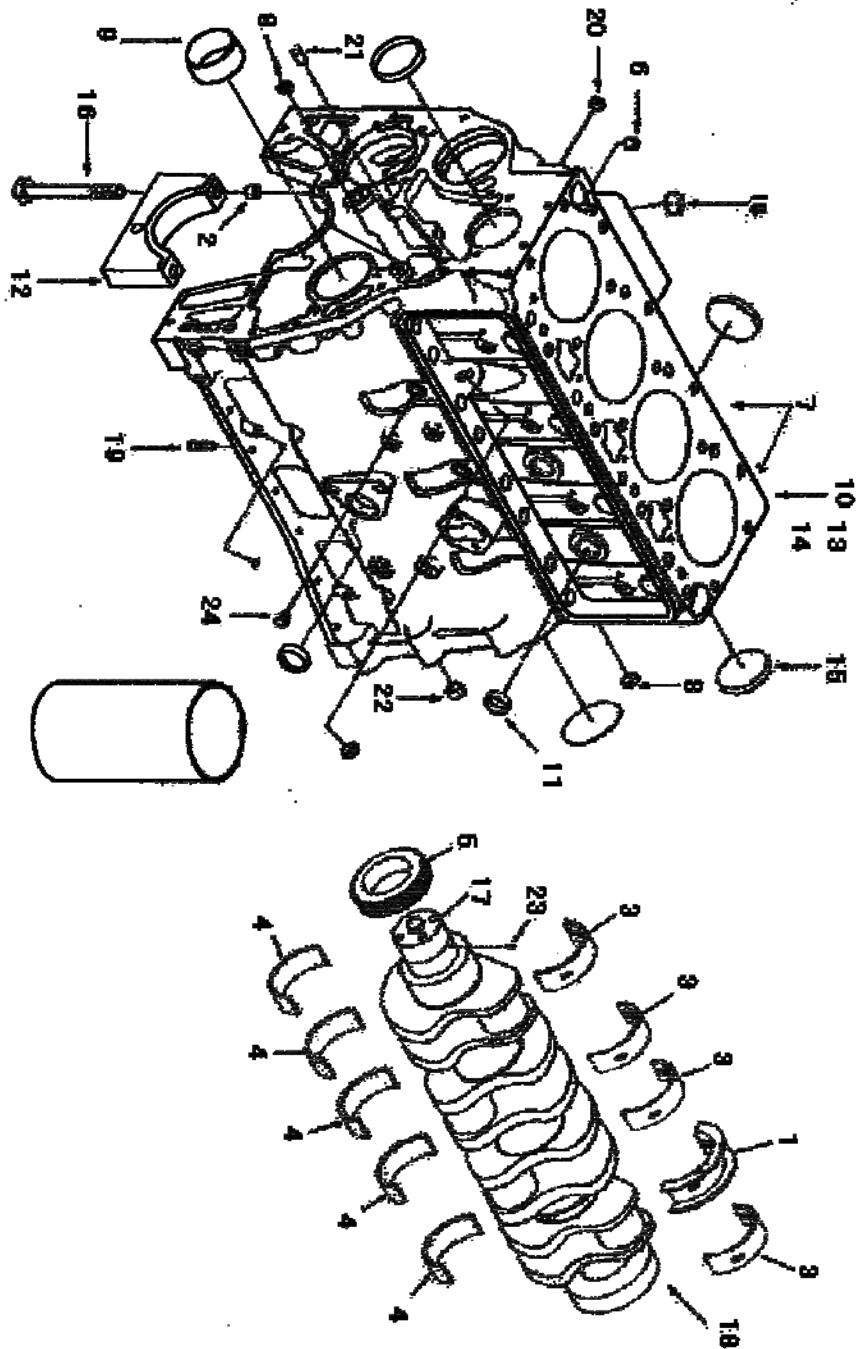
CONNECTOR, TUBE







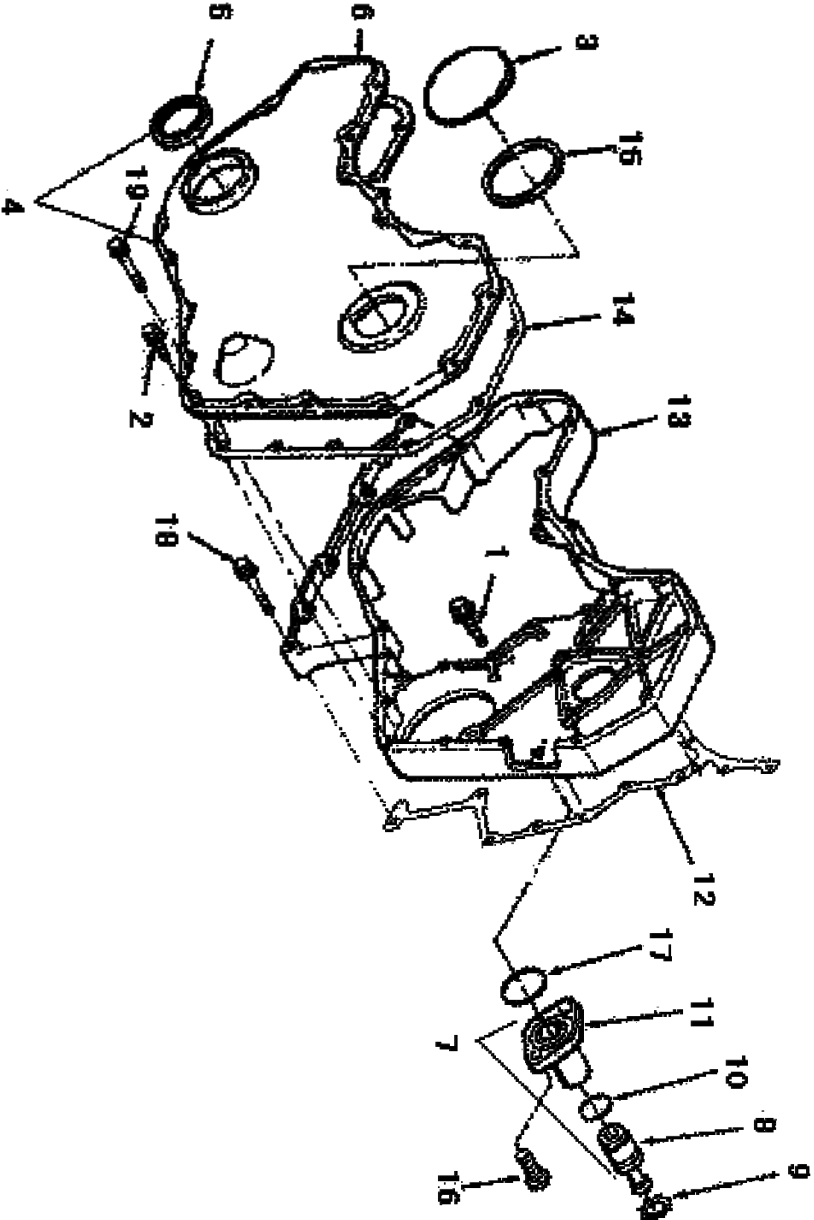




EQB125-12

Block,Engine

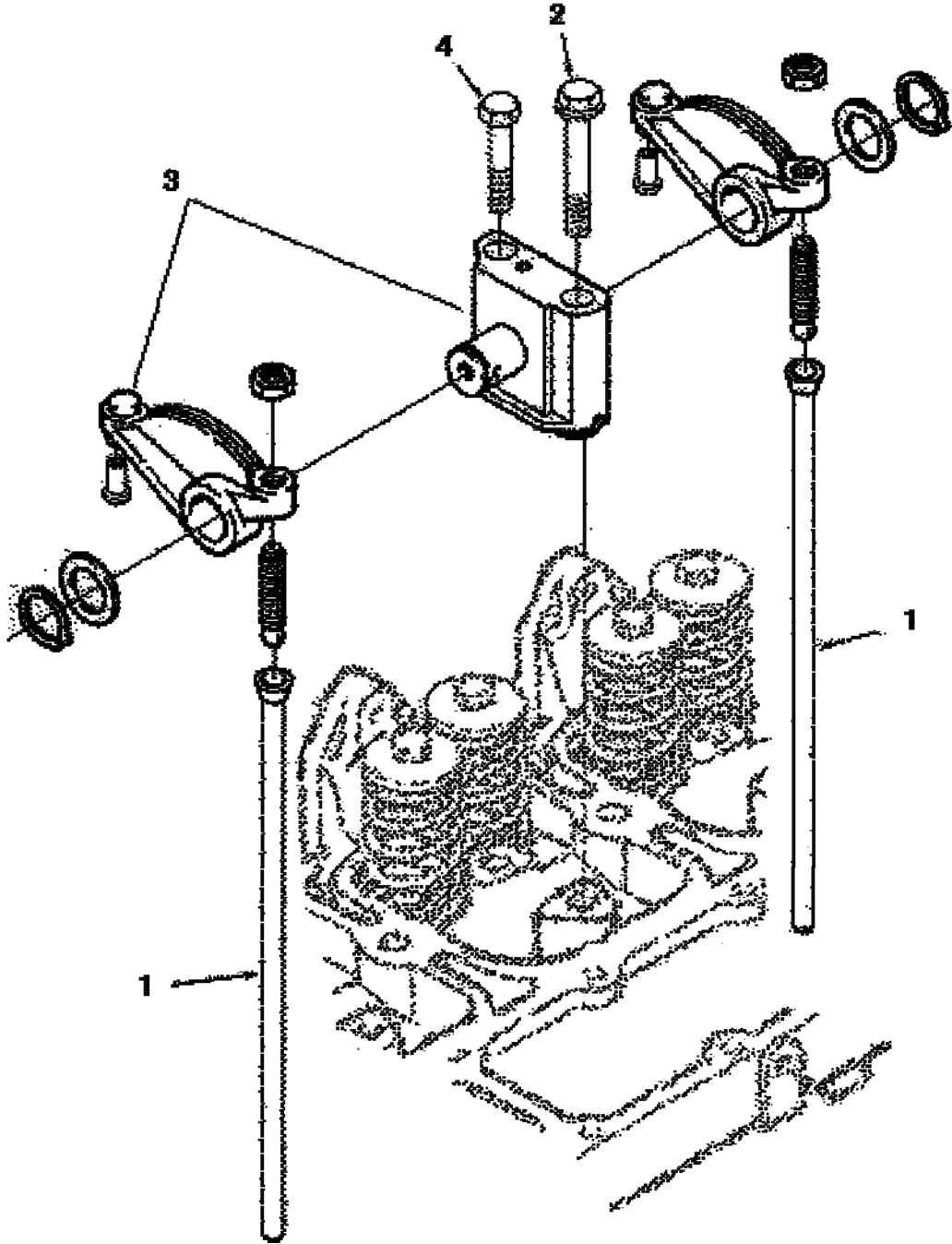
NO.	PART NO.	PART NAME & DESCRIPTION	QTY.
1	3927772	BEARING,CRANKSHAFT	1
2	A3900068	DOWEL,PIN	2
3	A3901090	BEARING,MAIN	3
4	A3901150	BEARING,MAIN	4
5	A3901258	GEAR,CRANKSHAFT	1
6	A3902343	DOWEL,PIN	2
7	A3903796ZZ	BLOCK,CYLINDER	1
8	A3900956	PLUG,EXPANSION	3
9	A3901306	BUSHING	1
10	A3903920	BLOCK,CYLINDER	1
11	A3007635	PLUG,EXPANSION	2
12	A3913917	CAP,MAIN BEARING	5
13	A3917611	BLOCK,CYLINDER	1
14	A3917610	CASTING,CYLINDER	1
15	C3900965	PLUG,EXPANSION	4
16	C3904217	Screw, Hexagon Head	10
17	A3907803	CRANKSHAFT,ENGINE	1
18	A3907803-MP	CASTING,CRANKSHAFT	1
19	A3919002	NOZZLE,PISTON COOLING	4
20	C3008468	PLUG, PIPE	1

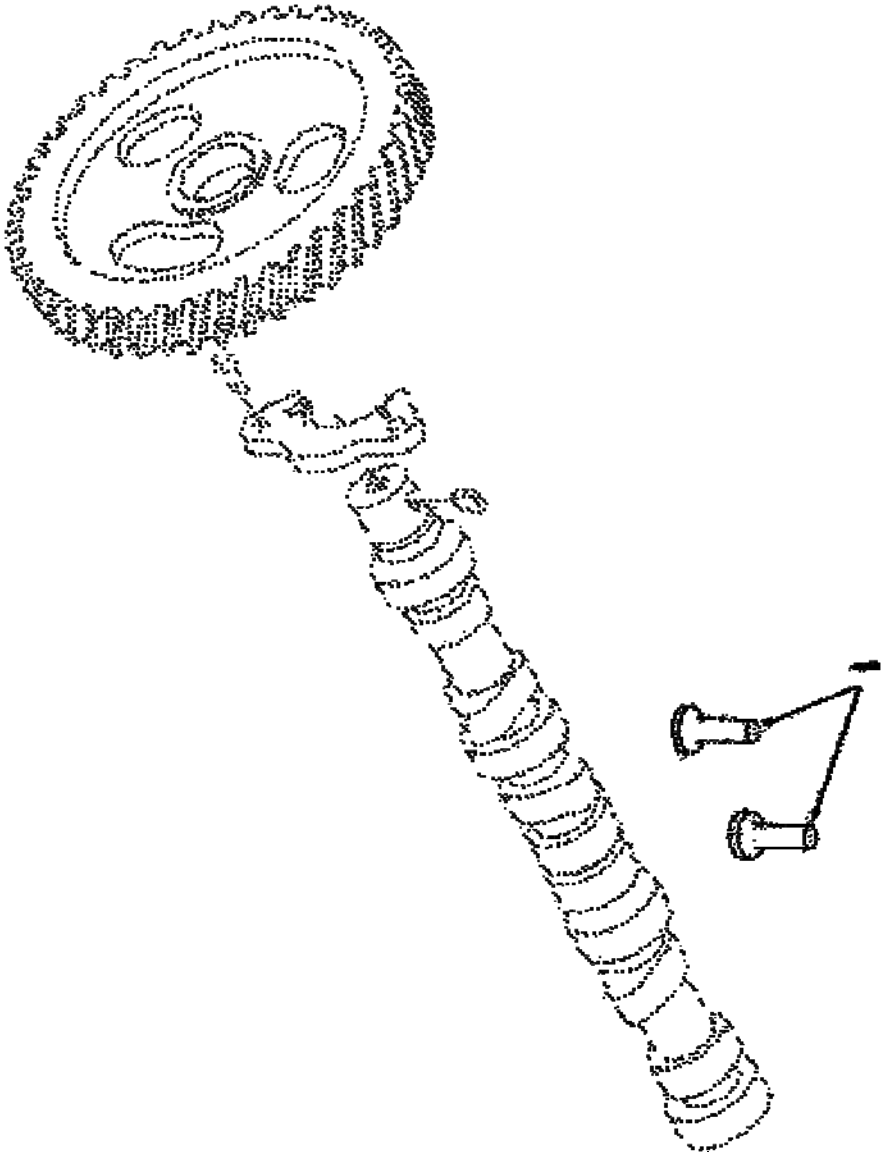


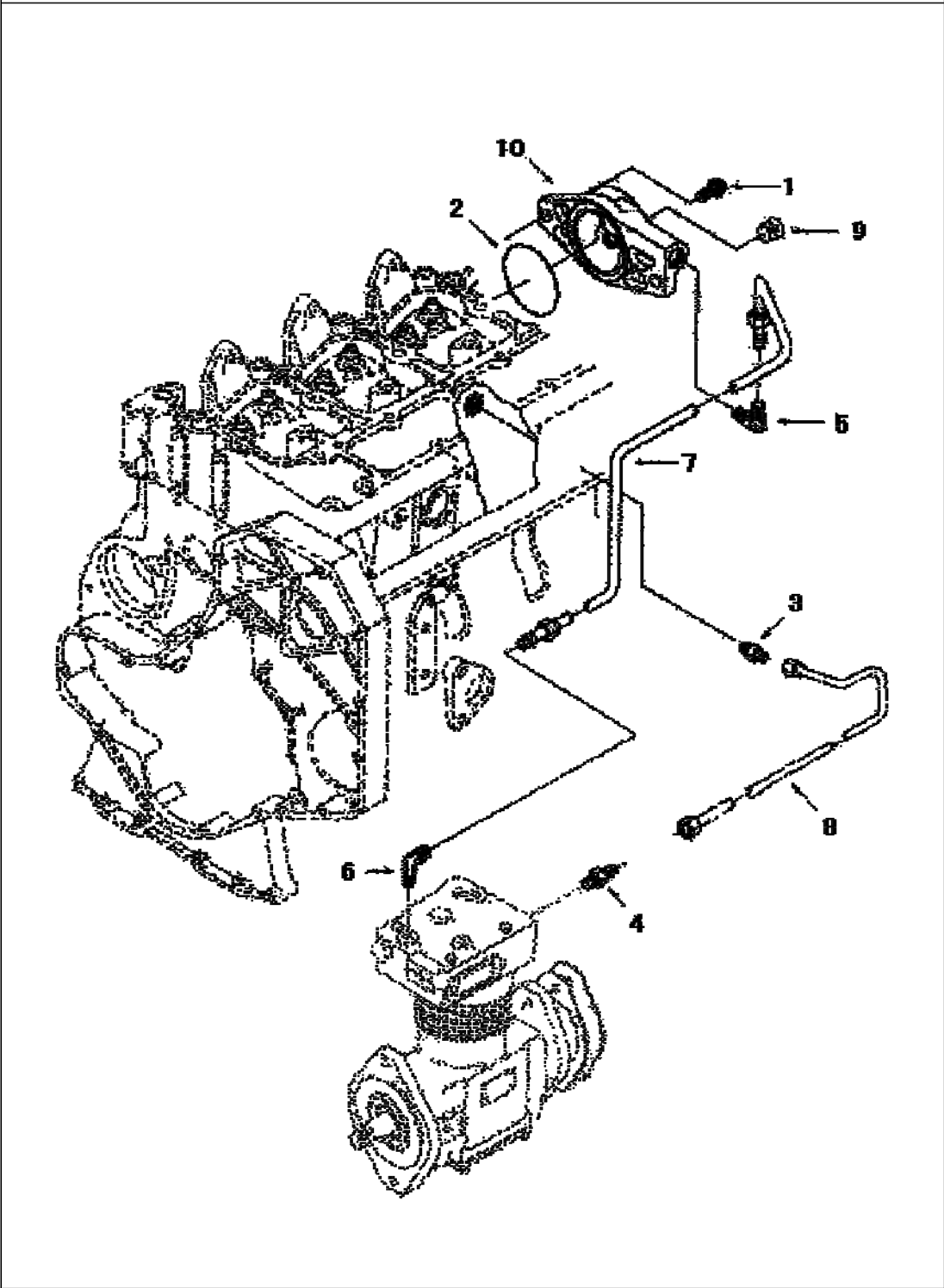
EQB125-13

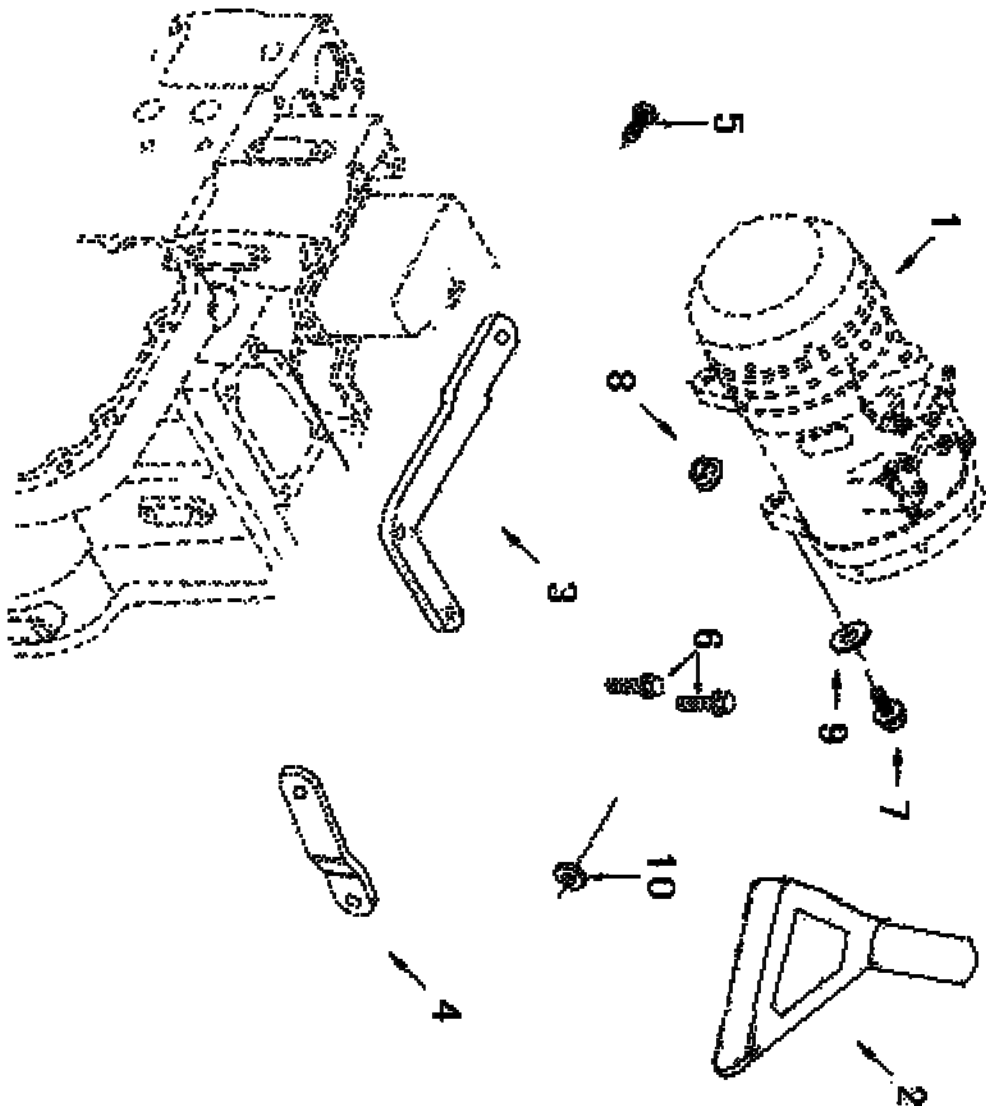
COVER,FRONT GEAR

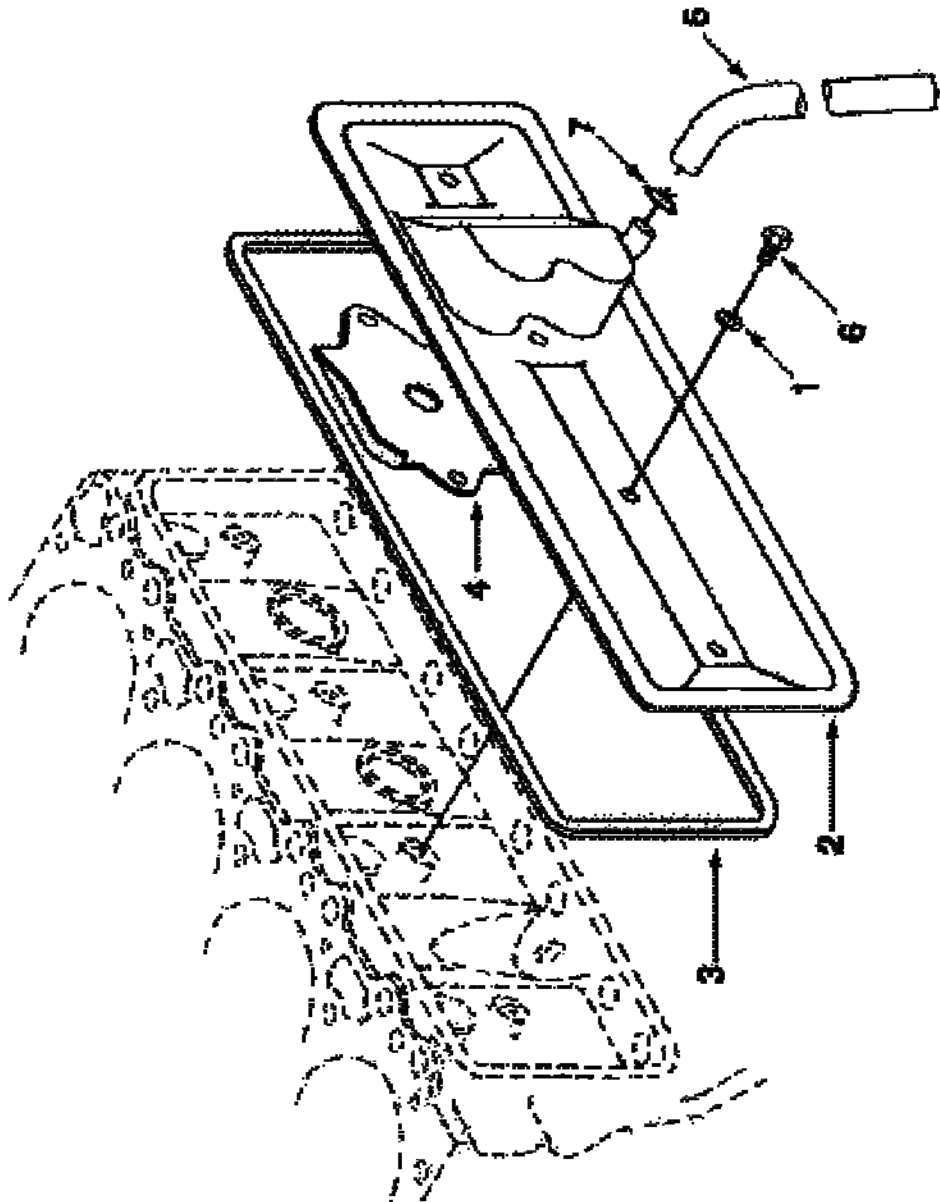
NO.	PART NO.	PART NAME & DESCRIPTION	QTY.
1	A3900629	SCREW,HEX FRANGE HEAD	5
2	A3900629	SCREW,HEX FRANGE HEAD	11
3	A3903463	COVER,PLATE	1
4	A3903663ZZ	COVER,GEAR	1
5	A3900709	SEAL,OIL	1
6	A3903794	COVER,GEAR	1
7	A3913995ZZ	HOUSING,TIMING PIN	1
8	C3903924	PIN,TIMING	1
9	C3904849	RING,RETAINING	1
10	C3913994	SEAL, O RING	1
11	C3919683	HOUSING,TIMING PIN	1
12	A3960061	GASKET,GEAR HOUSING	1
13	A3960071	HOUSING,GEAR	1
14	A3960319	GASKET,GEAR COVER	1
15	C3903475	SEAL, RECTANGLE	1
16	C3907998	SCREW, ROUND HEAD CAP	2
17	C3915772	SEAL, RECTANGLE	1
18	Q1840850	SCREW,HEX FLANGE HEAD	2
19	Q1840850	SCREW,HEX FLANGE HEAD	9

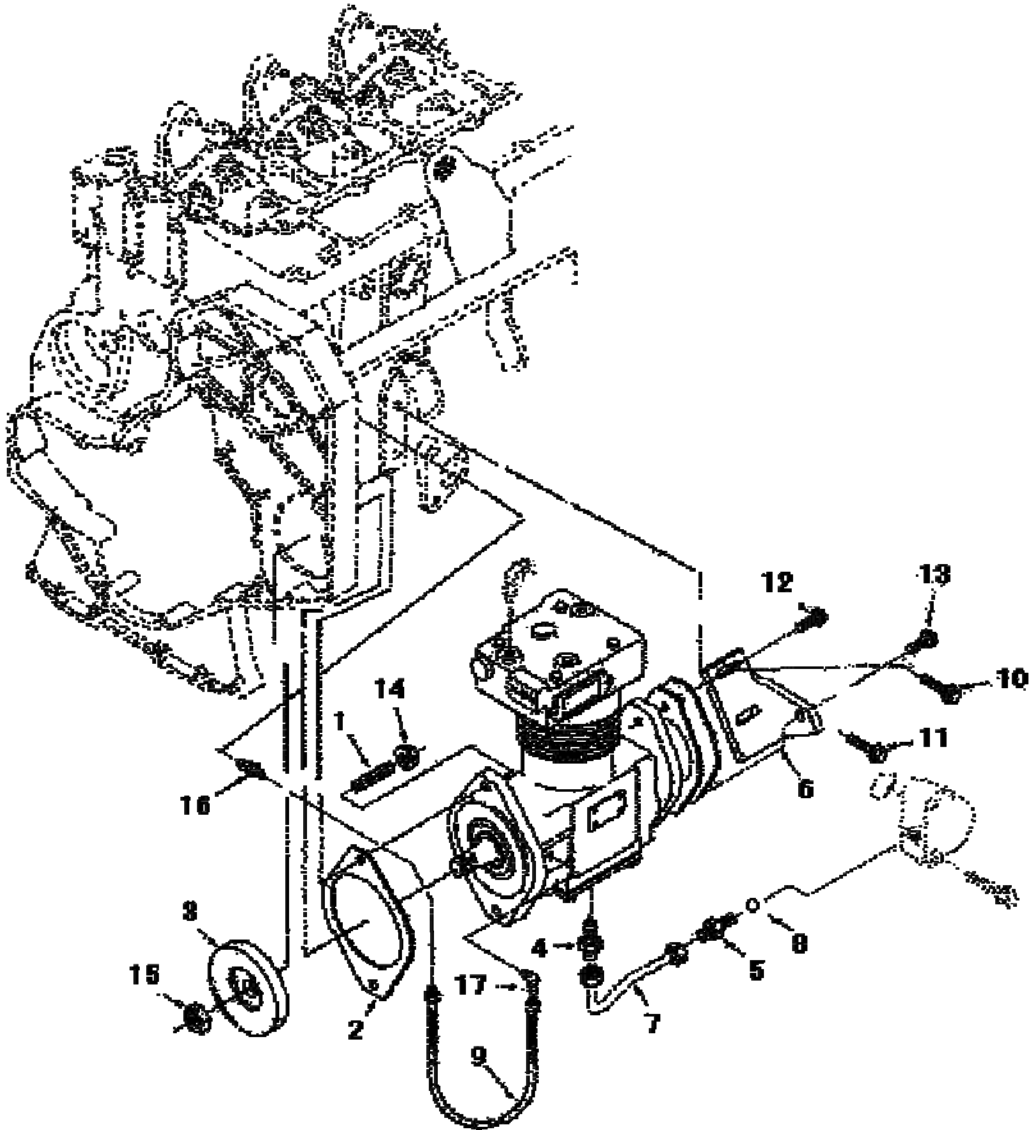








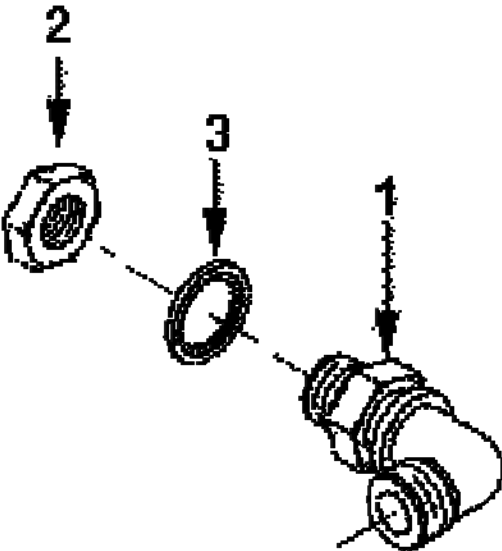


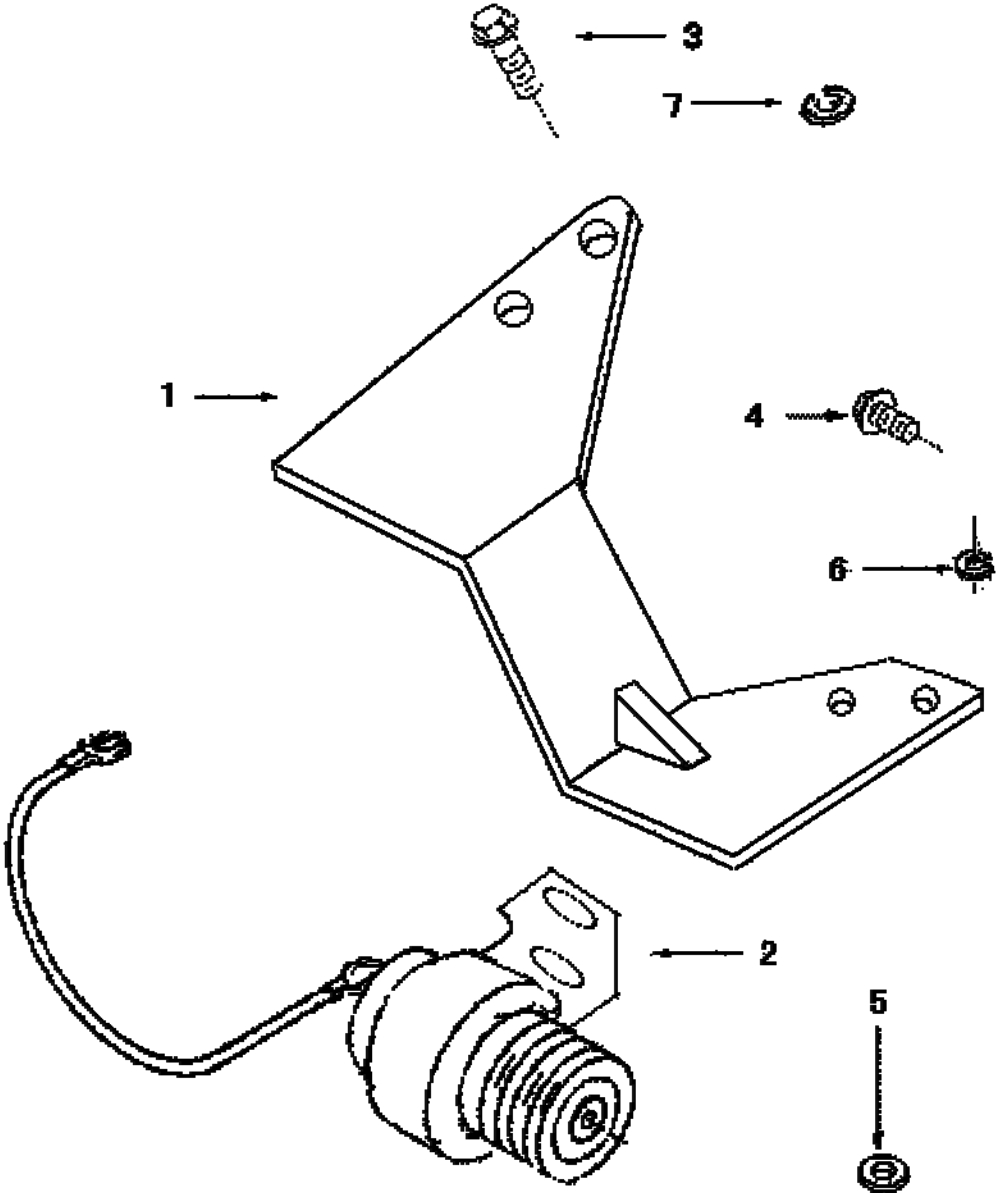


EQB125-19

COMPRESSOR,AIR

NO.	PART NO.	PART NAME & DESCRIPTION	QTY
1	A3905371	STUD	2
2	A3960049	GASKET,AIR COMPRESSOR	1
3	A3960345	GEAR,ACCESSORY DRIVE	1
4	A3960376	CONNECTOR,MALE	1
5	A3960376	CONNECTOR,MALE	1
6	A3960385	BRACE,AIR COMPRESSOR	1
7	A3960393	TUBE,LUB OIL DRAIN	1
8	A3960399	SEAL,O RING	1
9	C3976797	HOSE,FLEXIBLE	1
10	Q1840830	SCREW,HEX FLANGE HEAD	1
11	Q1840830	SCREW,HEX FLANGE HEAD	1
12	Q1841028	SCREW,HEX FRANGE HEAD	2
13	Q1841045	SCREW,HEX FRANGE HEAD	1
14	Q32012	NUT,HEXAGON FLANGE	2
15	Q32116	NUT,HEXAGON FRANGE	1
16	RQ65106-J8	CONNECTOR,MALE	1
17	RQ65406-J8	ELBOW,MALE ADAPTER	1

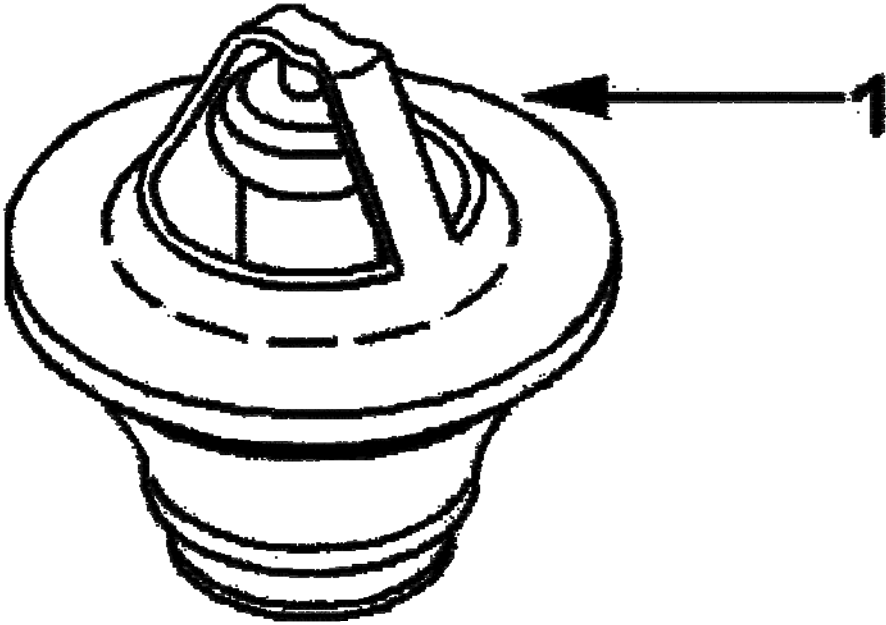


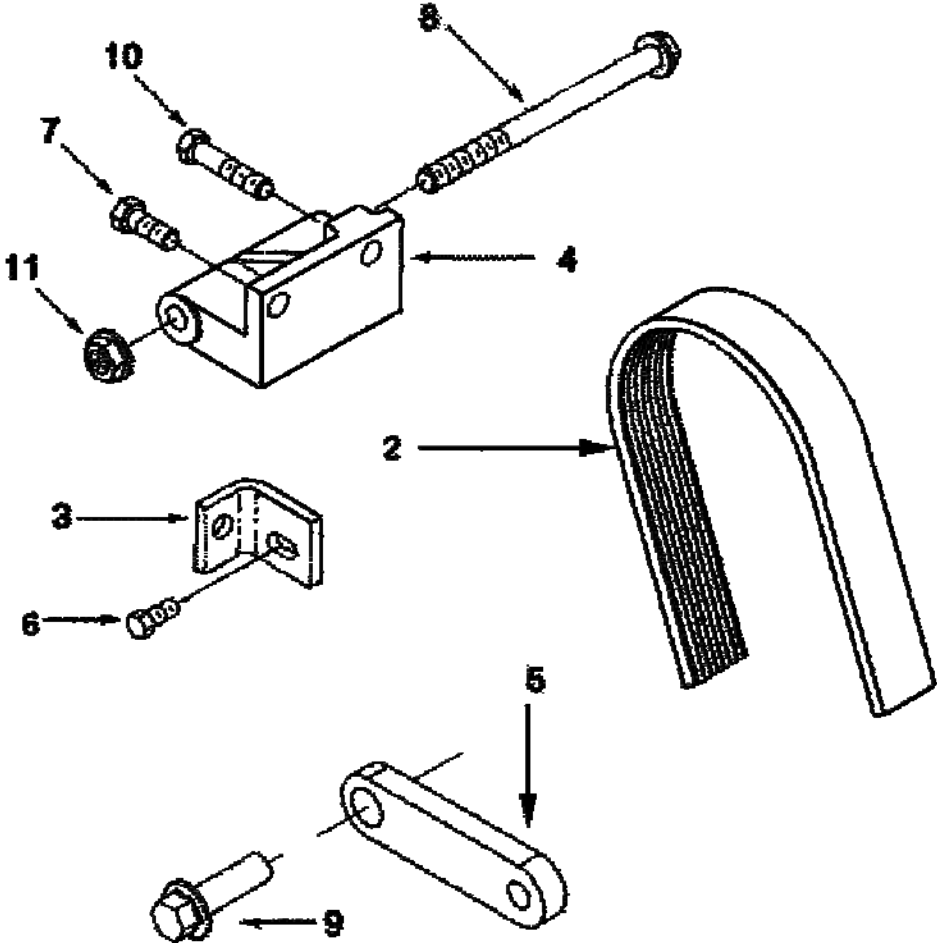


EQB125-21

Control,engine brake

NO.	PART NO.	PART NAME & DESCRIPTION	QTY.
1	C3976202	Bracket,Throttle	1
2	C4930591	SWITCH,ENGINE BRAKE	1
3	Q150B1025	SCREW,HEXAGON HEAD	2
4	Q2140516	SCREW, CROSS SLOT	2
5	Q40110	WASHER,PLAIN	2
6	Q40305	WASHER,SPRING	2
7	Q40310	WASHER,SPRING	2

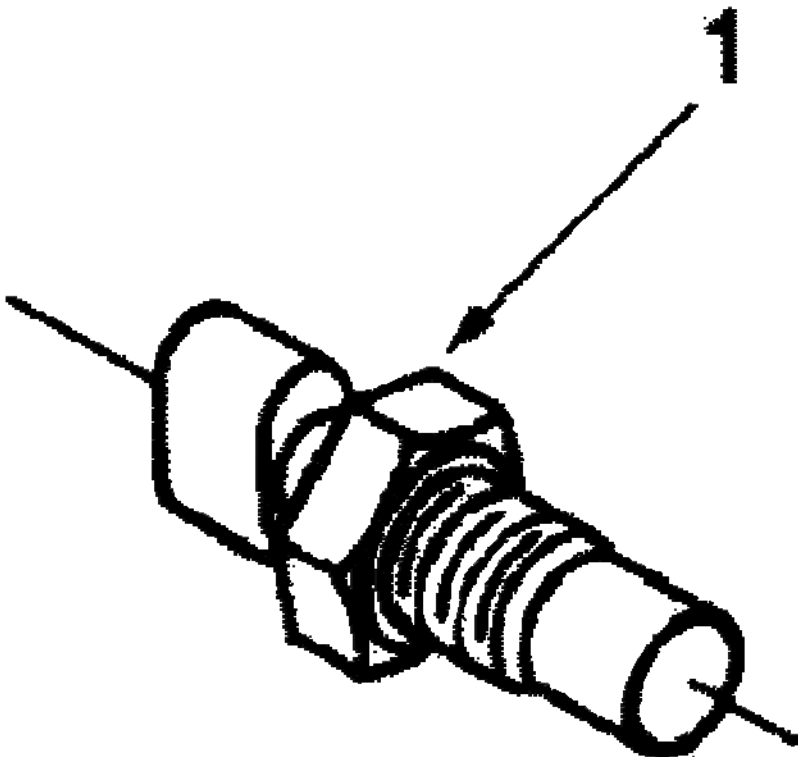


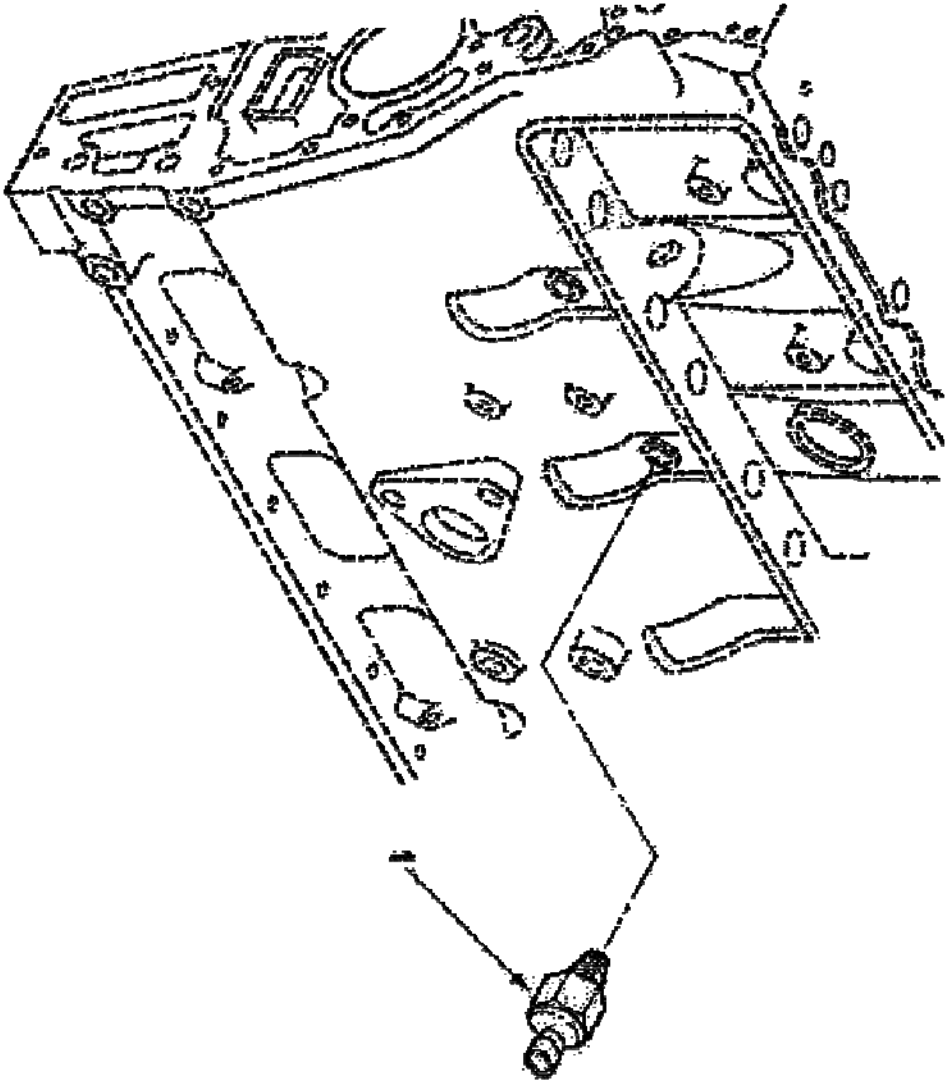


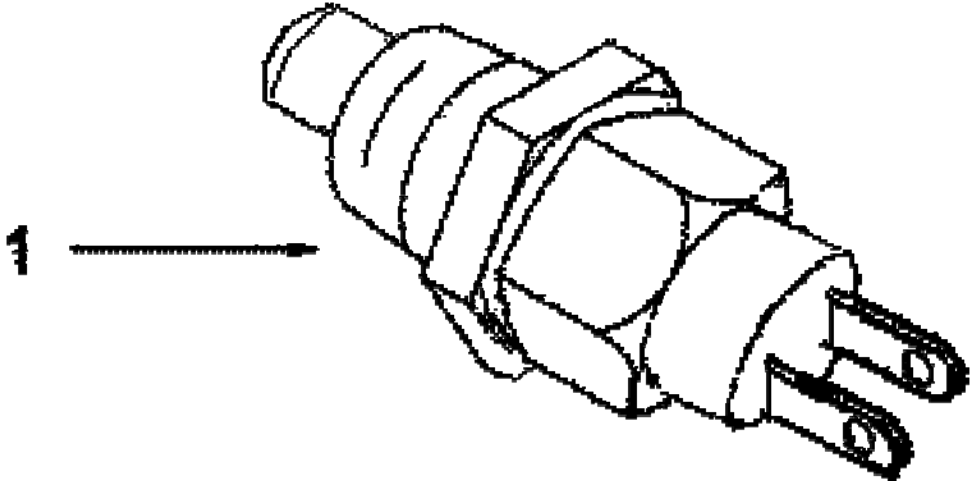
EQB125-23

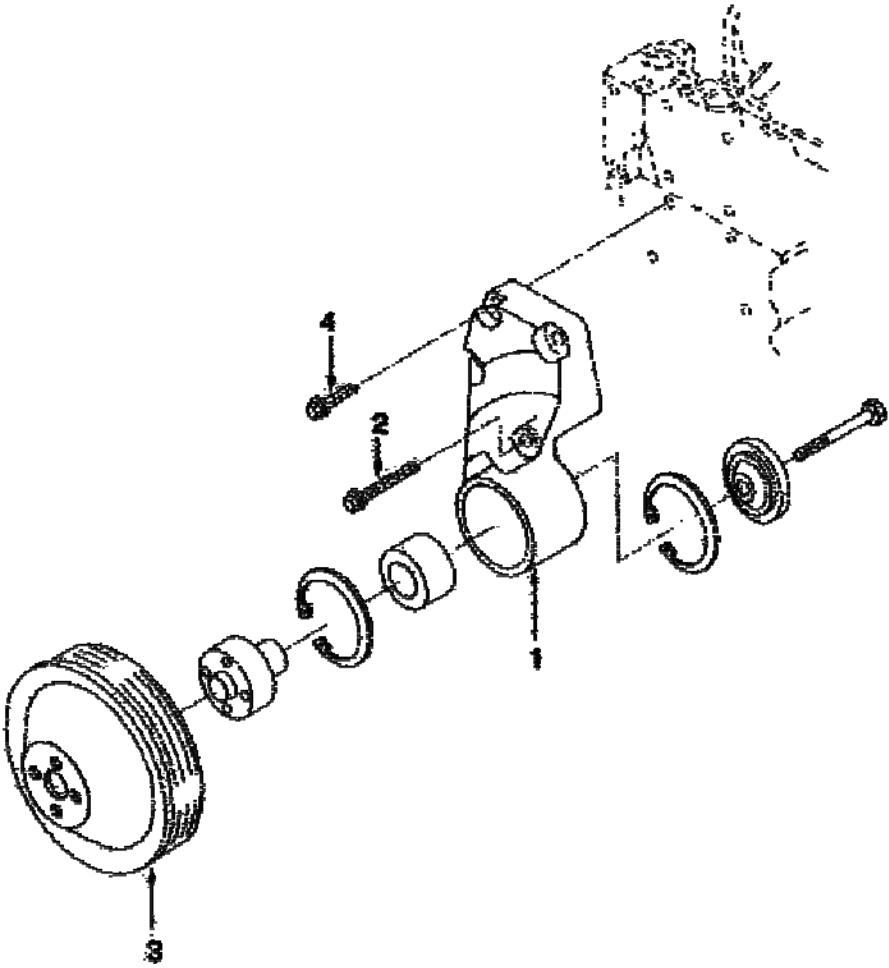
LOCATION,ALTERNAT

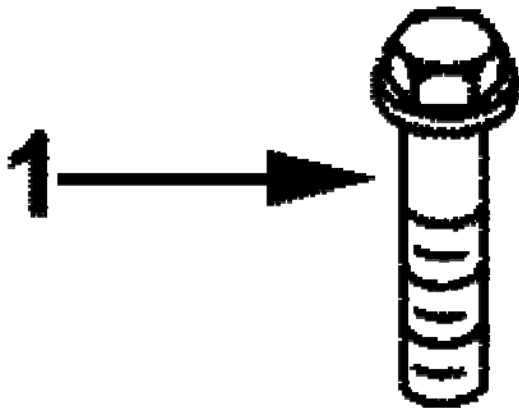
NO.	PART NO.	PART NAME & DESCRIPTION	QTY.
1	A3903105	SCREW,HEX FRANGE HEAD	1
2	A3911584	BELT,V RIBBED	1
3	A3960083	SPACER,CONNECTION	1
4	A3960086	SUPPORT,ALTERNATOR	1
5	C3976283	BRACE,ALTERNATOR	1
6	Q150B1025	SCREW,HEXAGON HEAD	1
7	Q150B1040	SCREW,HEXAGON HEAD	1
8	Q1840825	SCREW,HEX FLANGE HEAD	1
9	Q1841225	SCREW,HEX FLANGE HEAD	1
10	Q150B1242	SCREW,HEXAGON HEAD	1
11	Q32012	NUT,HEXAGON FLANGE	1

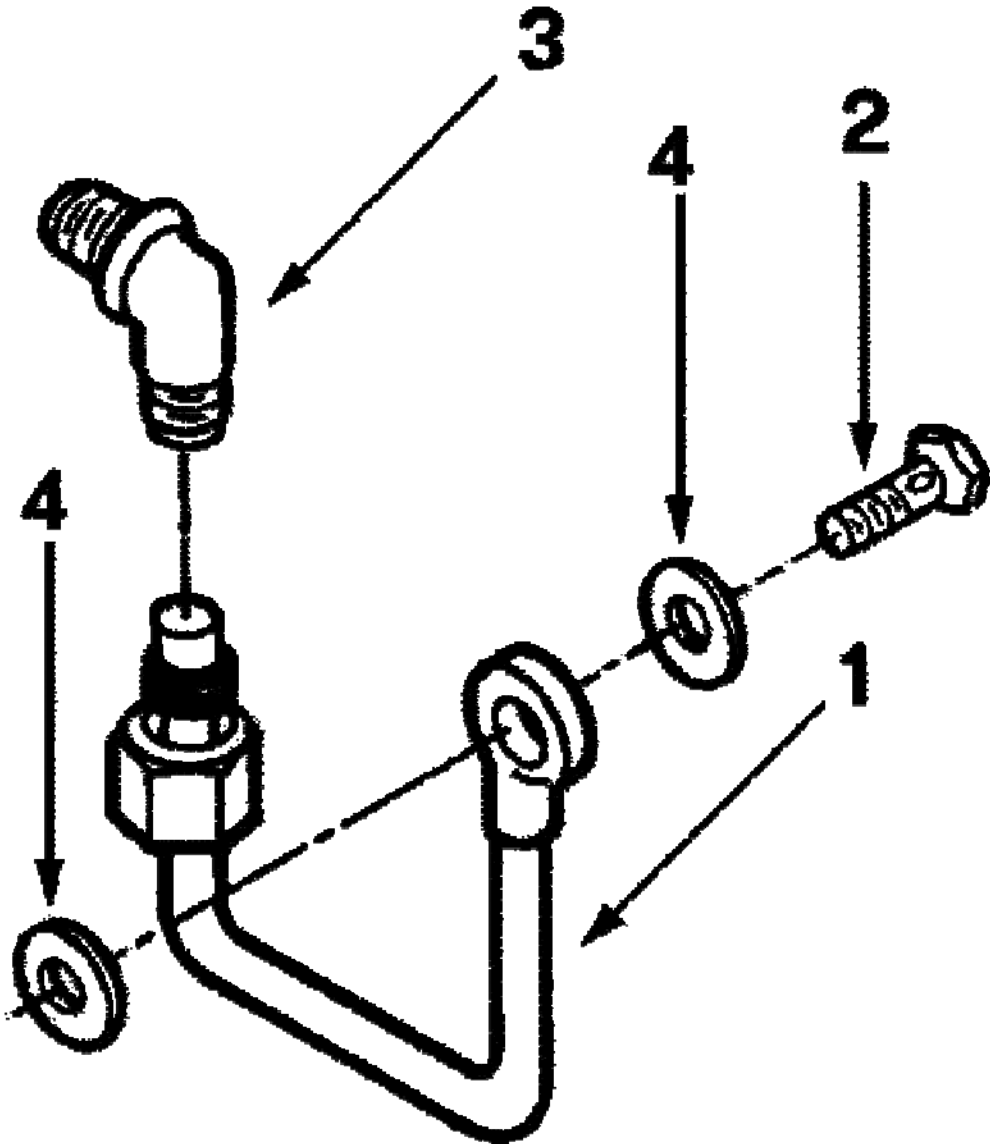


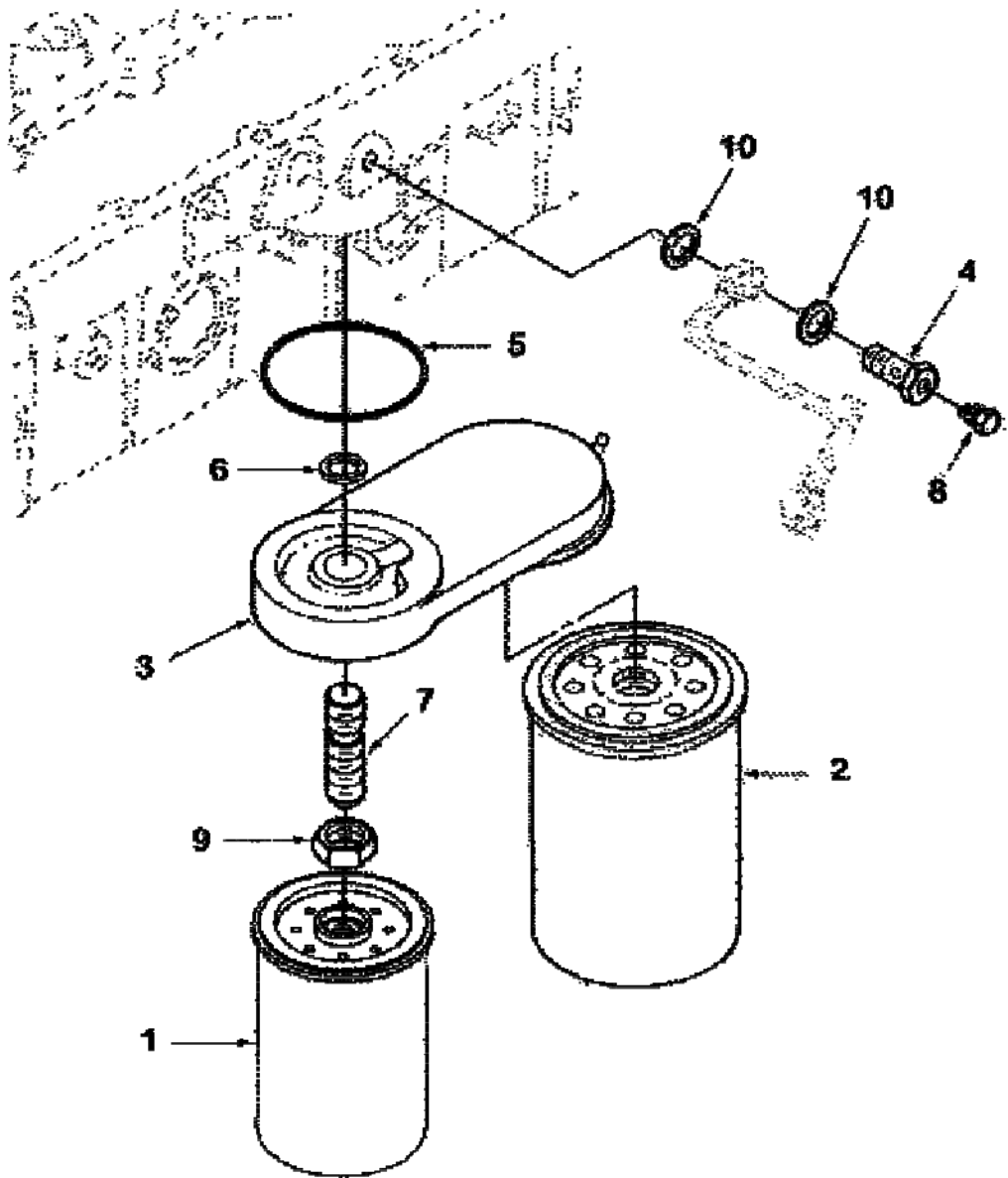


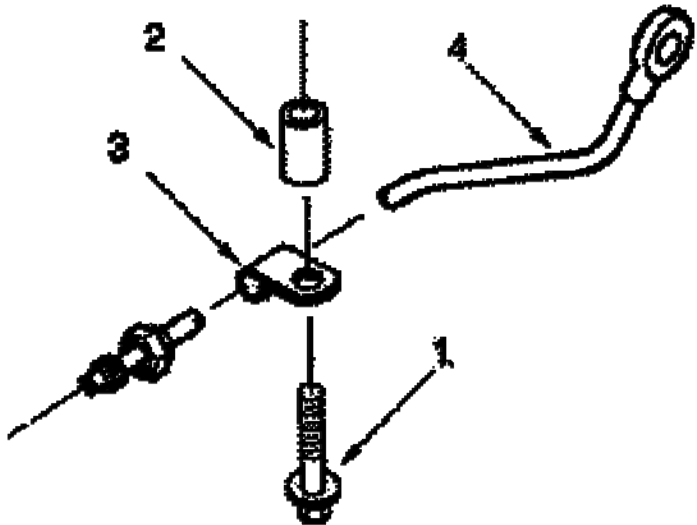


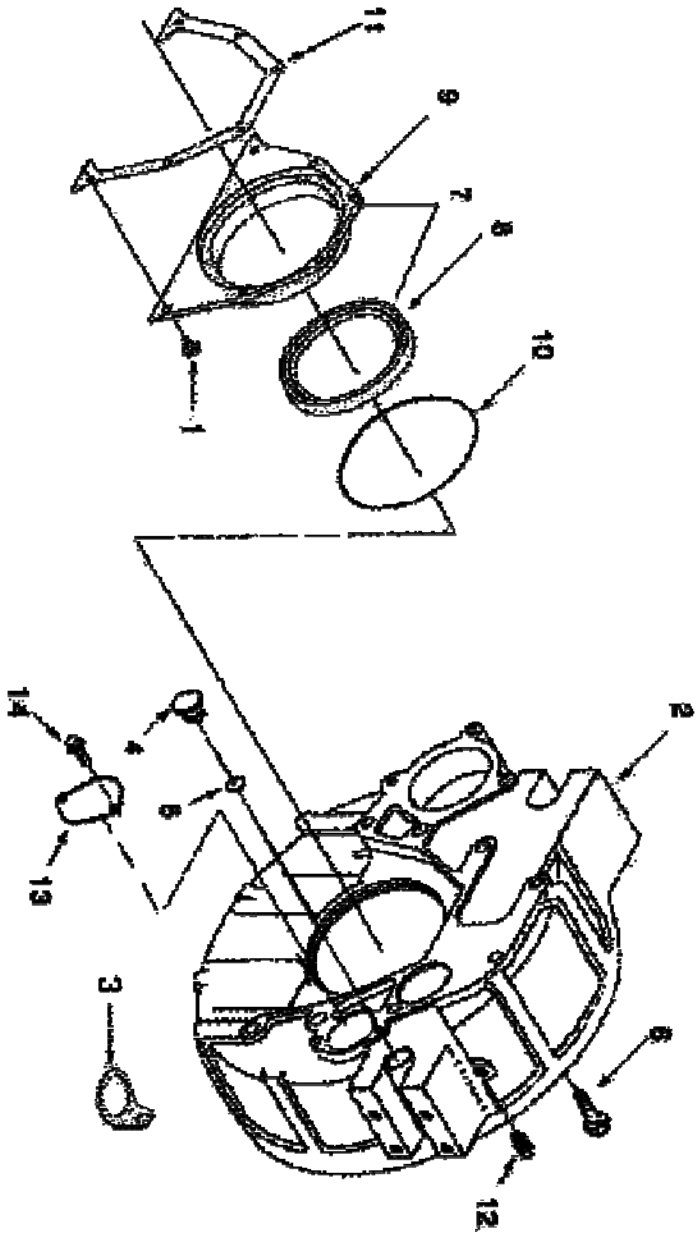








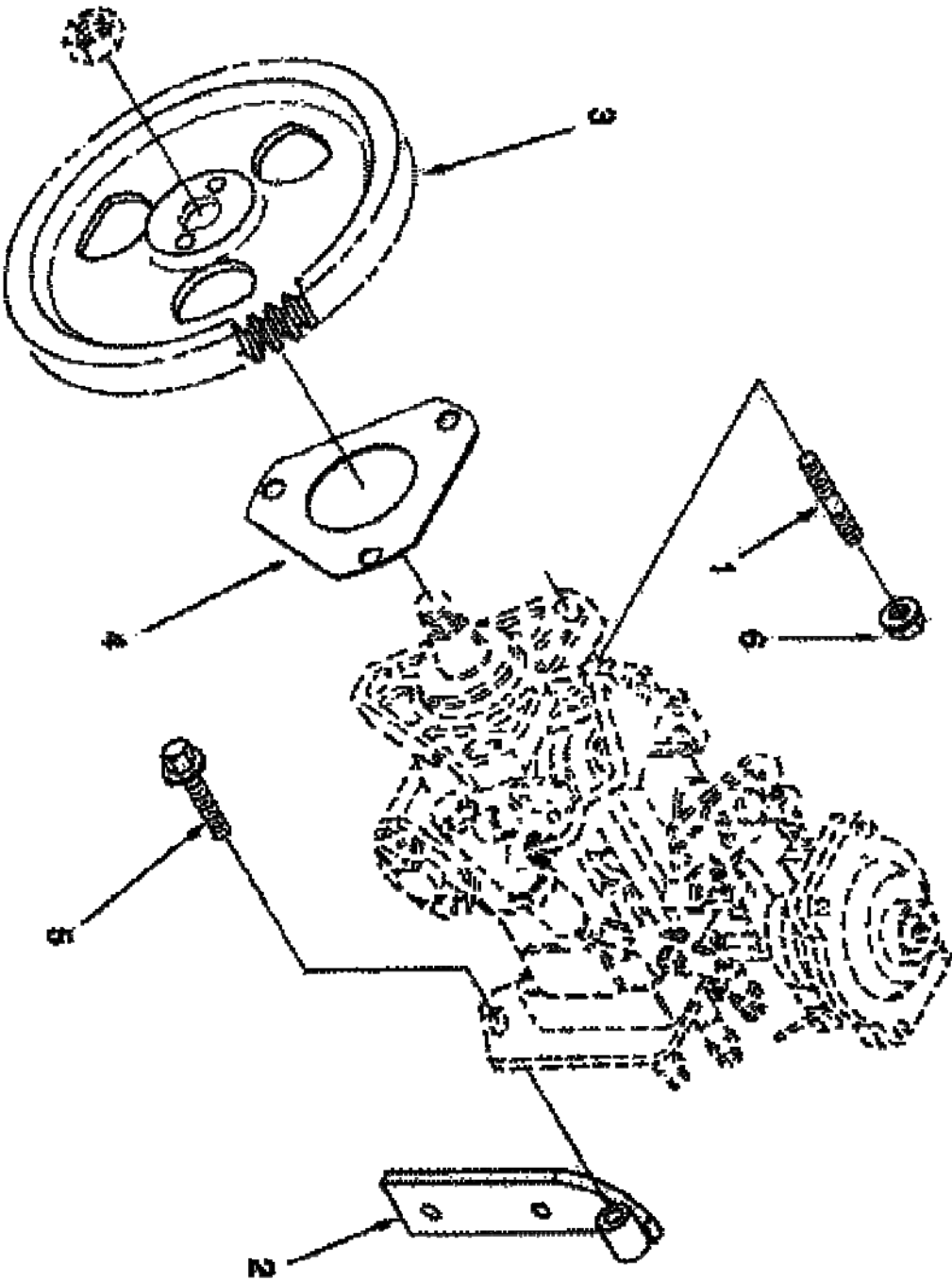




EQB125-32

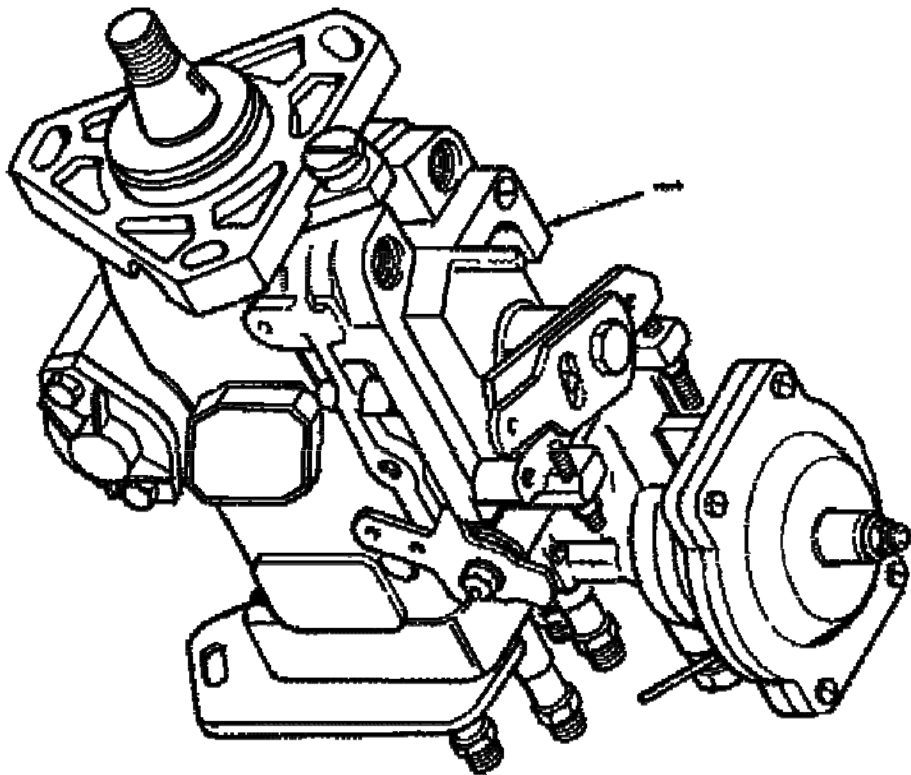
HOUSINGFLYWHEEL

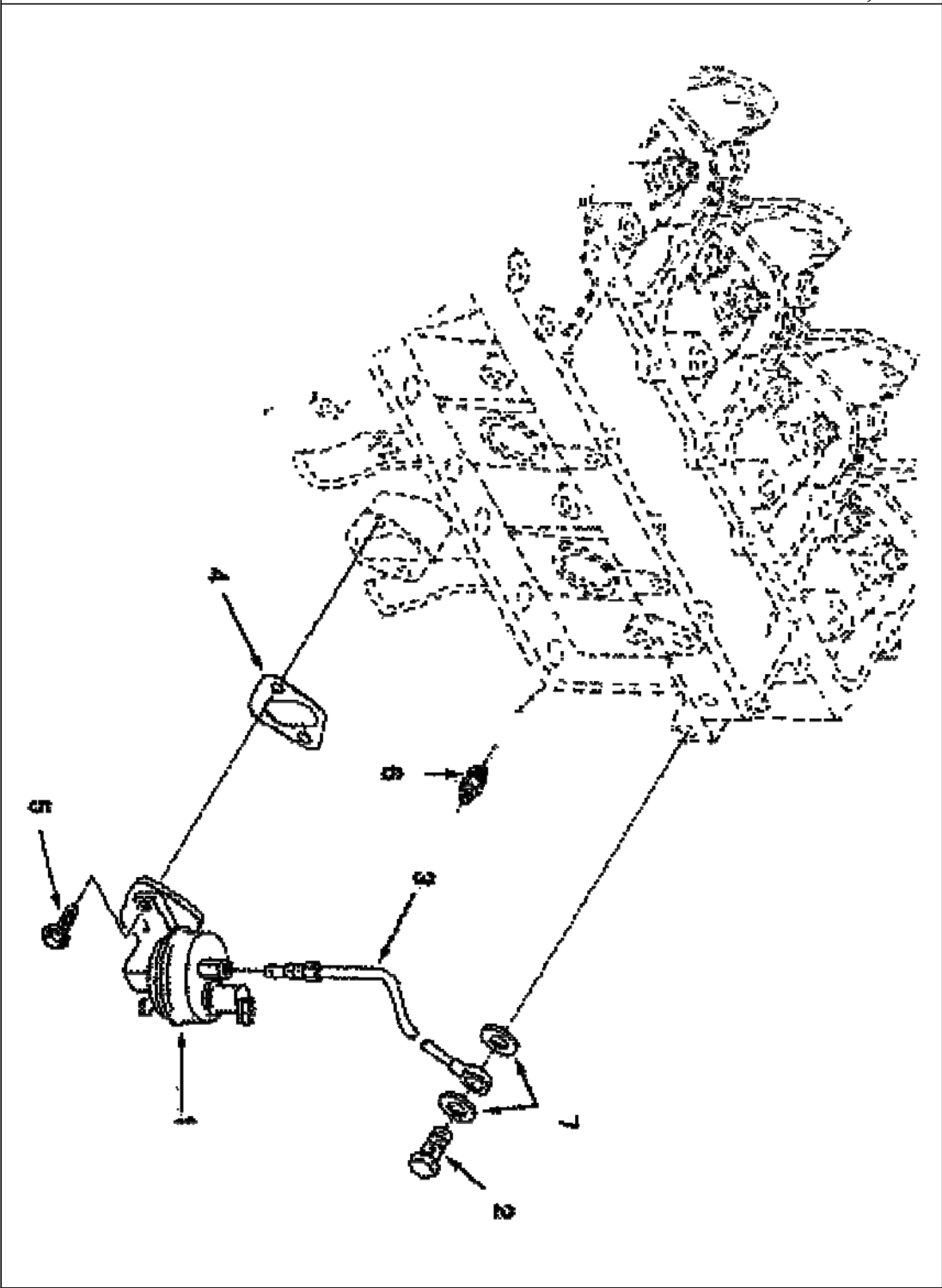
NO.	PART NO.	PART NAME & DESCRIPTION	QTY
1	A3900627	SCREW,HEX FRANGE HEAD	6
2	A3904717	HOUSINGFLYWHEEL	1
3	A3909670	CLIP	1
4	A3910248	PLUGO RING	1
5	A3910260	SEAL,O RING	1
6	A3910540	SCREW,HEX FRANGE HEAD	8
7	A3910619ZZ	COVER,REAR	1
8	A3925529	SEAL,OIL	1
9	C3936904	Cover,Rear	1
10	A3912473	SEAL,RECTANGULAR RING	1
11	A3960313	GASKET,REAR COVER	1
12	C3008469	PLUG PIPE	1
13	C3908095	Plate,Cover	1
14	Q150B0816	SCREW,HEXAGON HEAD	2

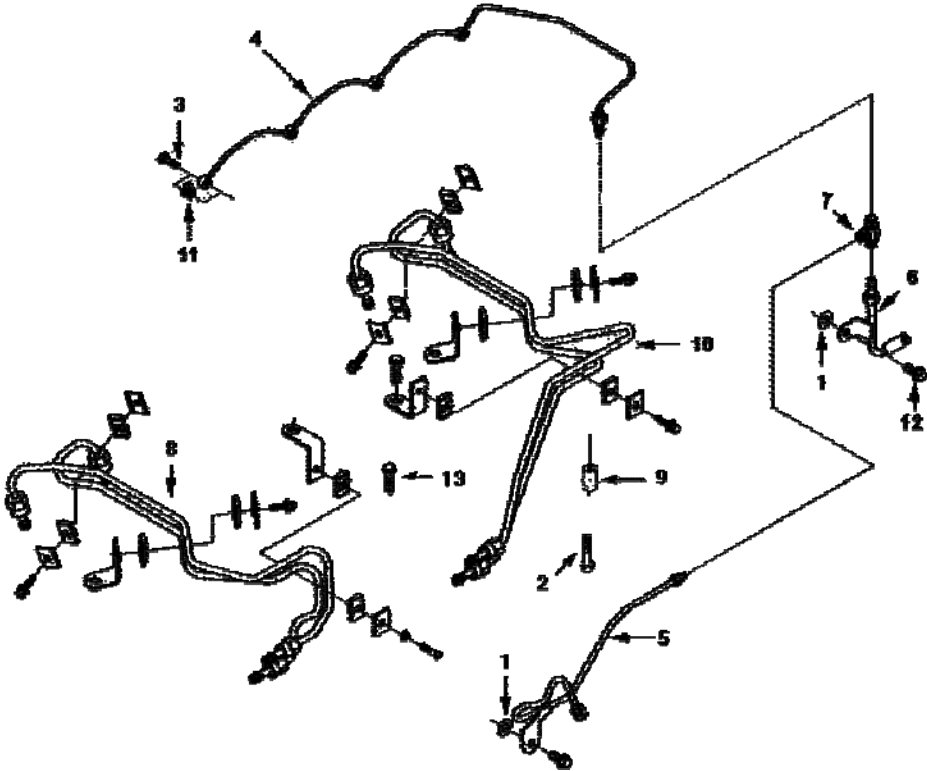


EQB125-34

PUMP, BASE FUEL



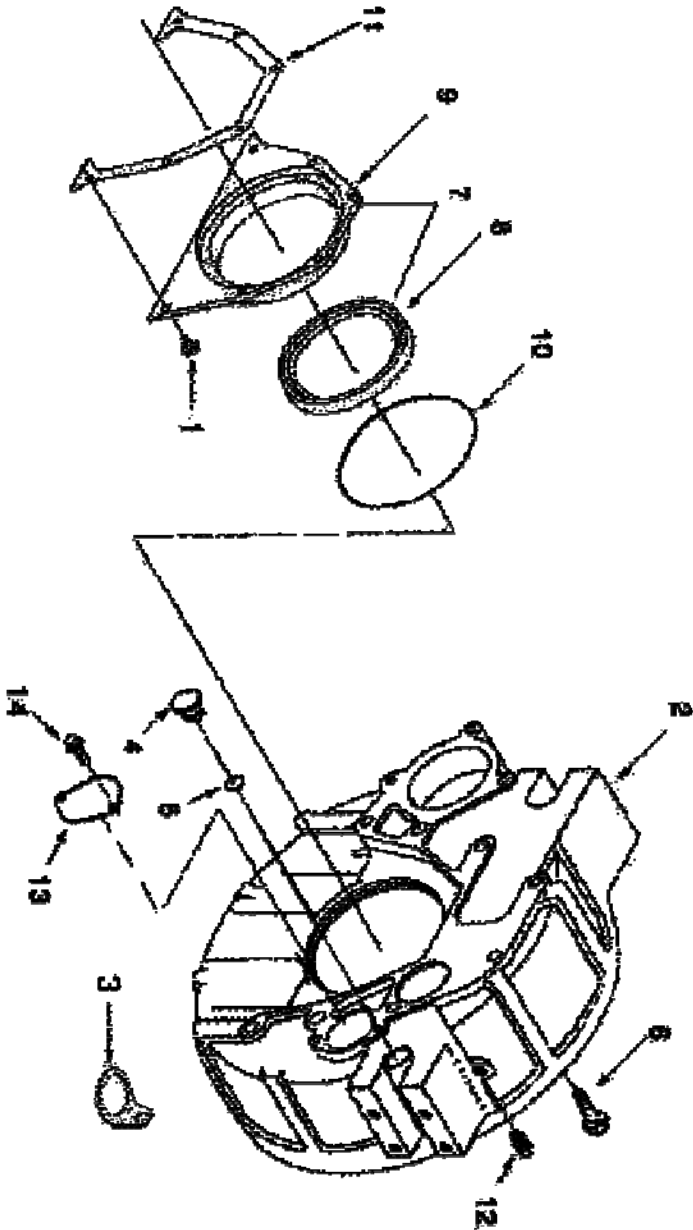


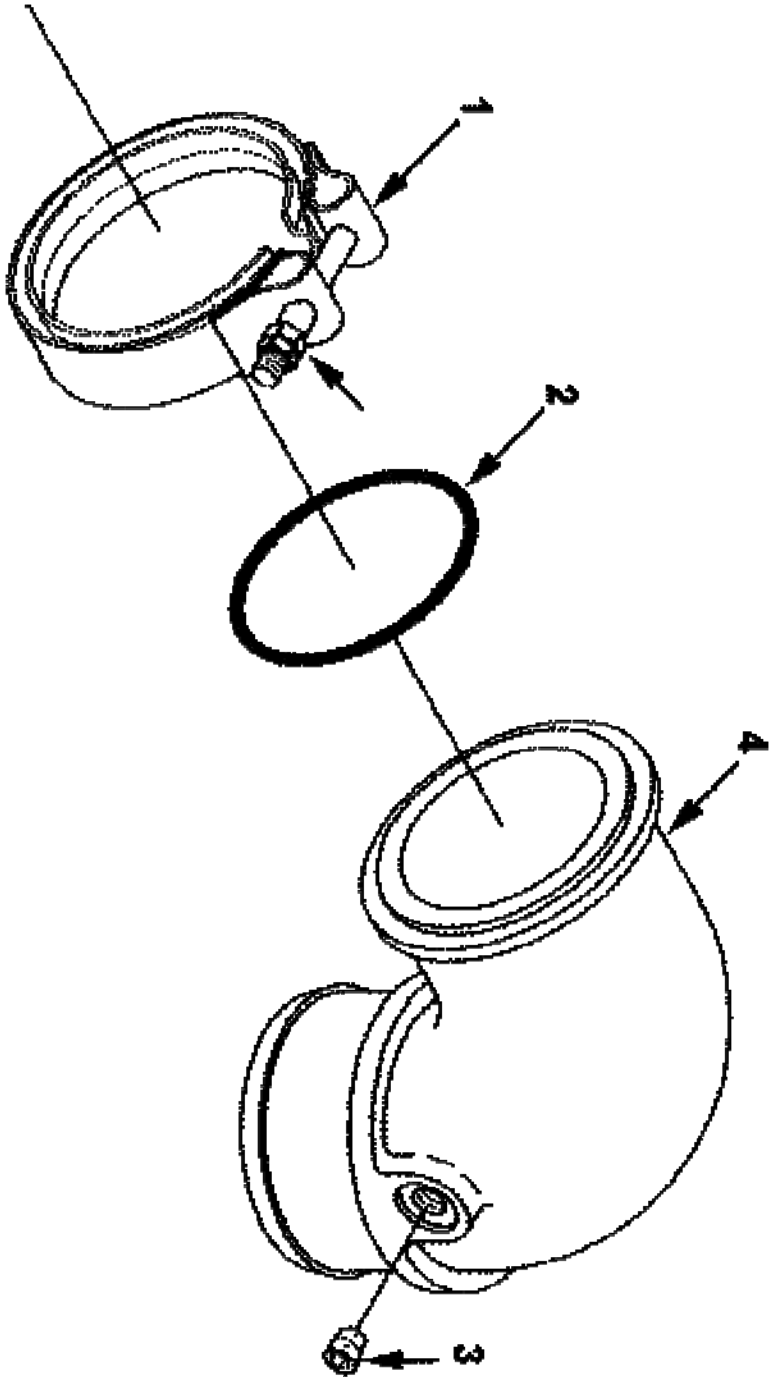


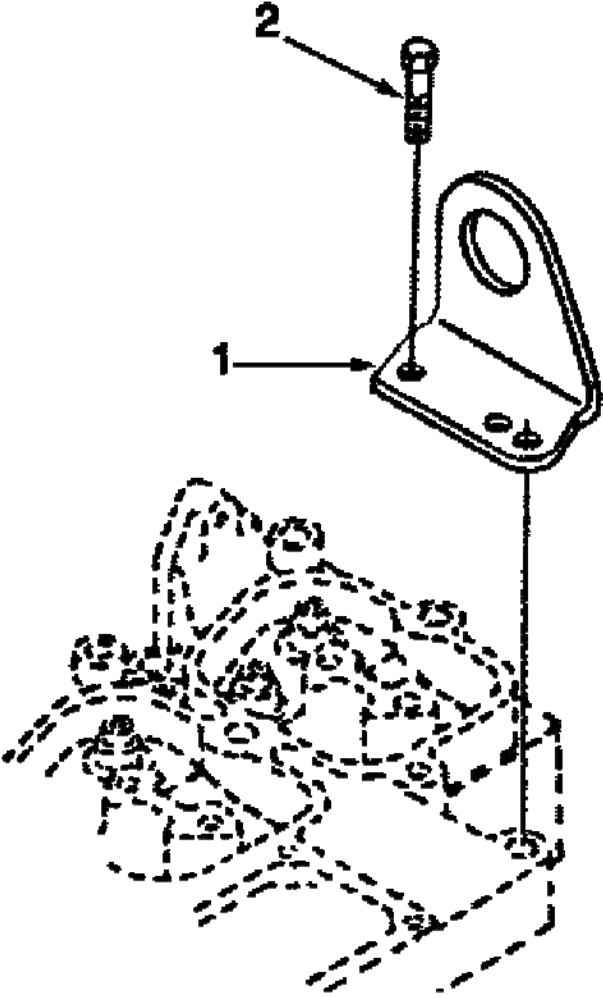
EQB125-36

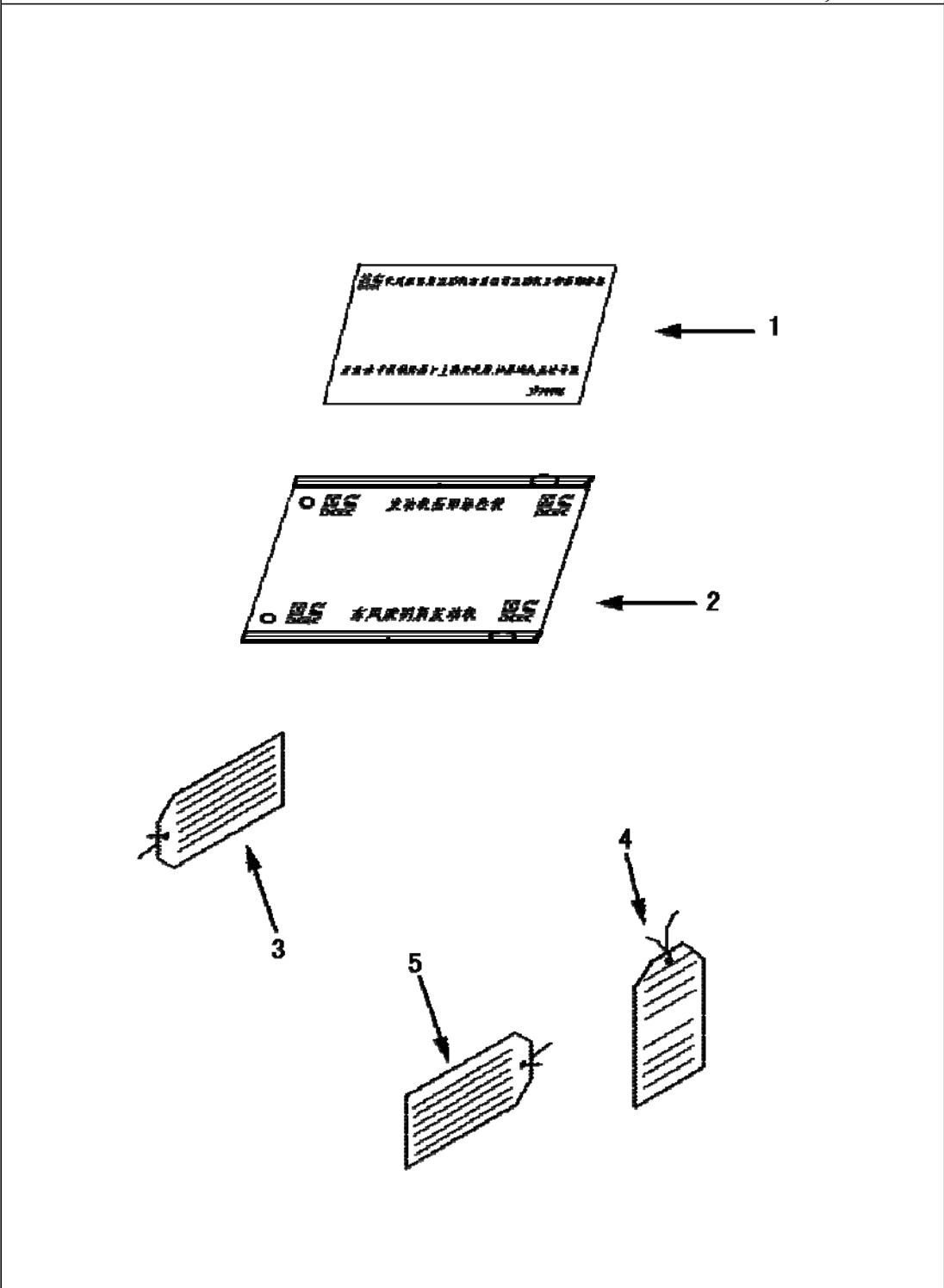
PLUMBING,FUEL

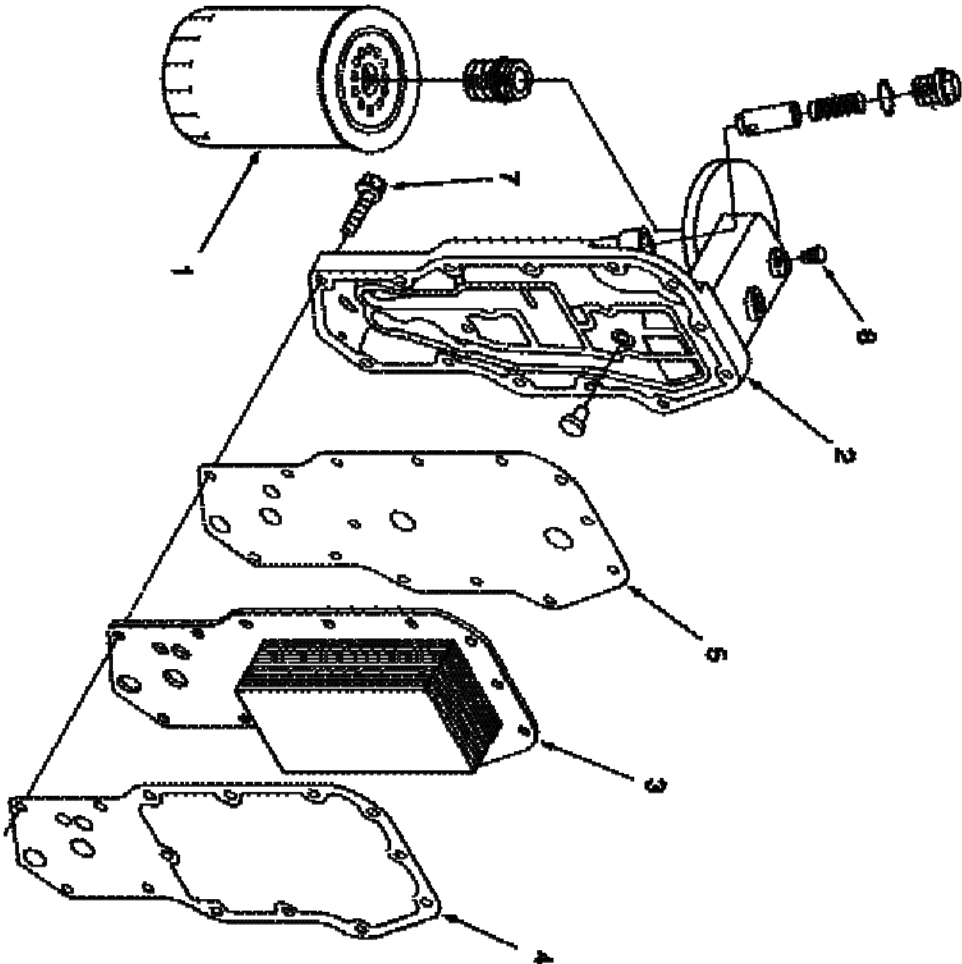
NO.	PART NO.	PART NAME & DESCRIPTION	QTY
1	A3900267	SEAL,GROMMET	2
2	A3900678	SCREW,HEX FLANGE HEAD	1
3	A3905307	SCREW,BANJO CONNECTOR	4
4	A3960041	MANIFOLD,FUEL	1
5	A3960042	TUBE,FUEL DRAIN	1
6	A3960340	TUBE,FUEL DRAIN	1
7	A3960374	TEE,MALE BRANCH	1
8	A3960725	TUBE,INJECTOR FUEL	1
9	A3960743	SPACER,MOUNTING	1
10	A3960761	TUBE,INJECTOR FUEL	1
11	C3903380	SEAL,BANJO CONNECTOR	4
12	Q1840820	SCREW,HEX FLANGE HEAD	2
13	Q1840828-J8	SCREW,HEX FRANGE HEAD	1

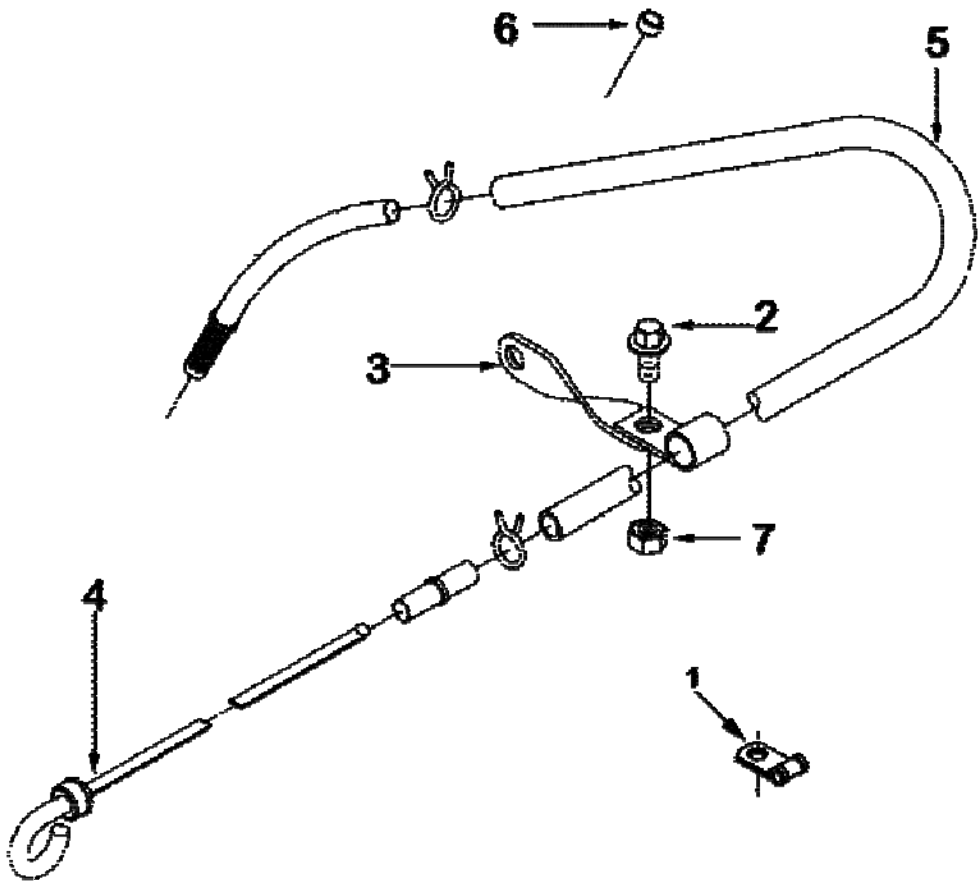


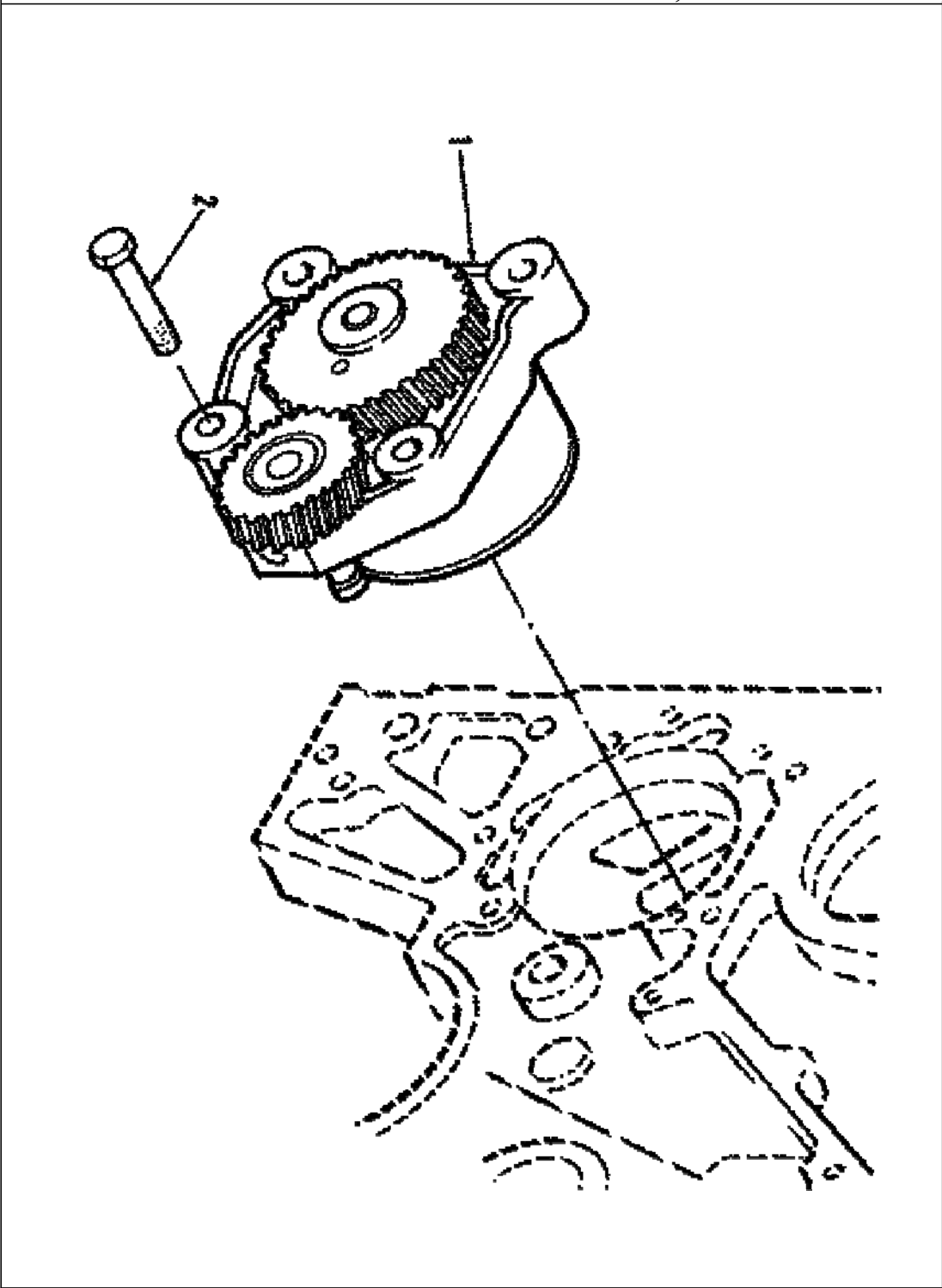


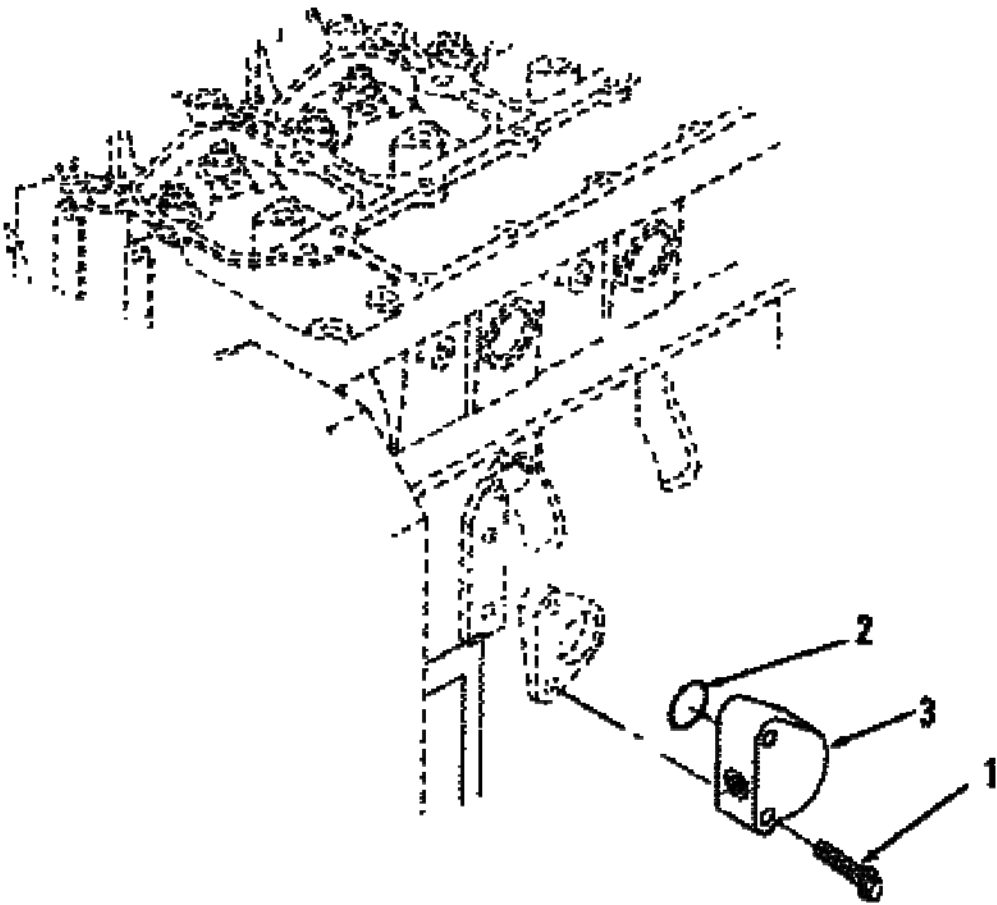


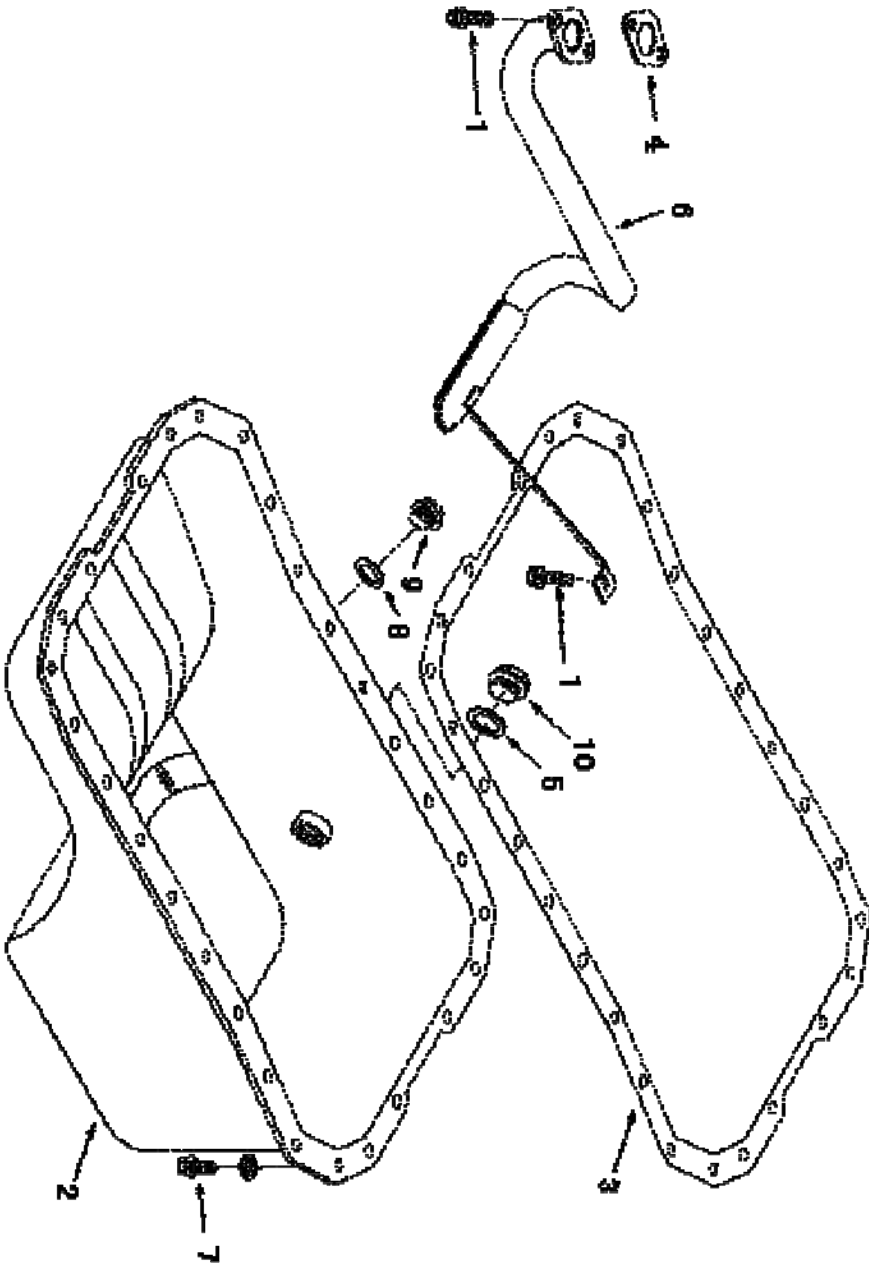


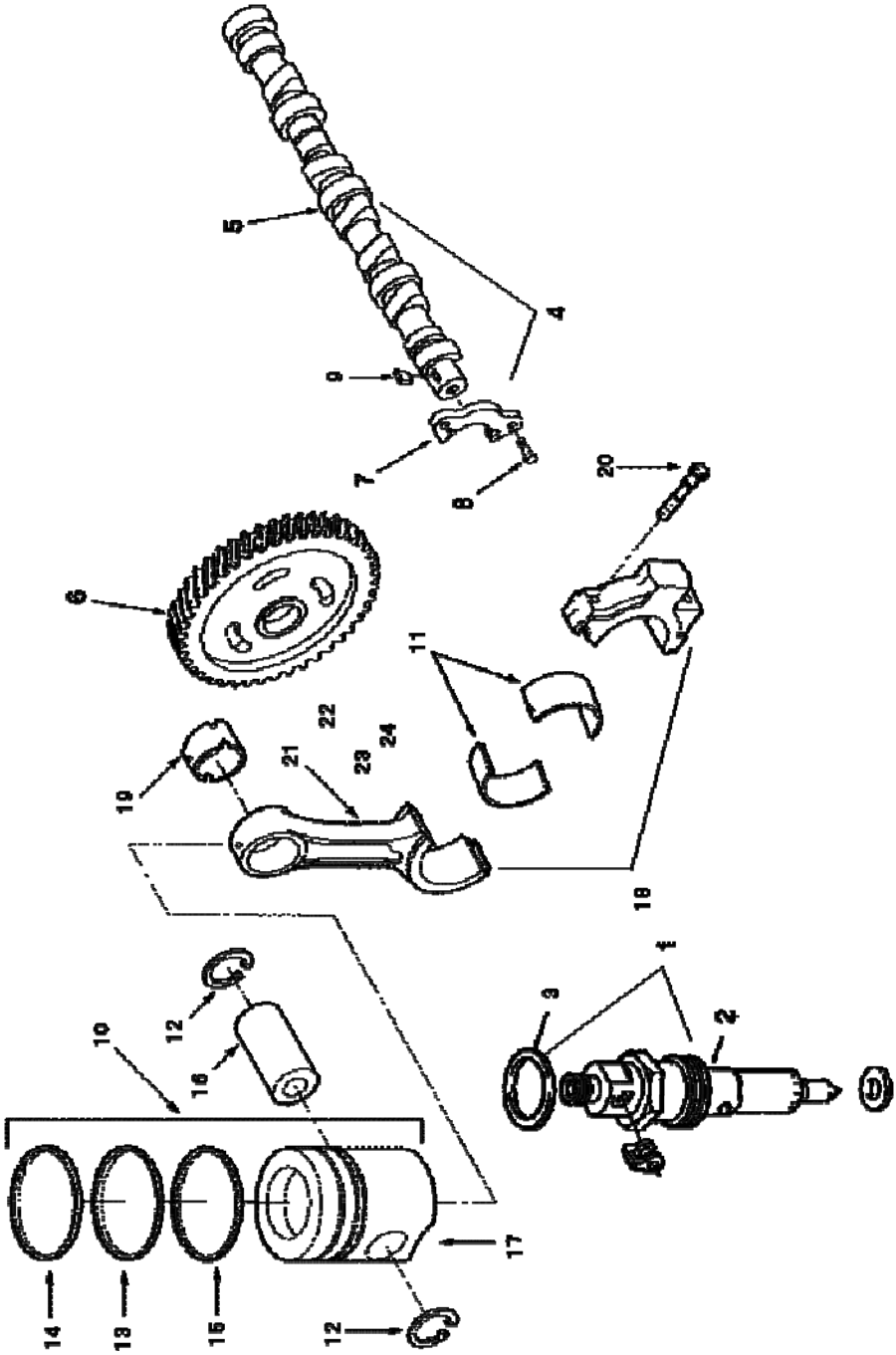








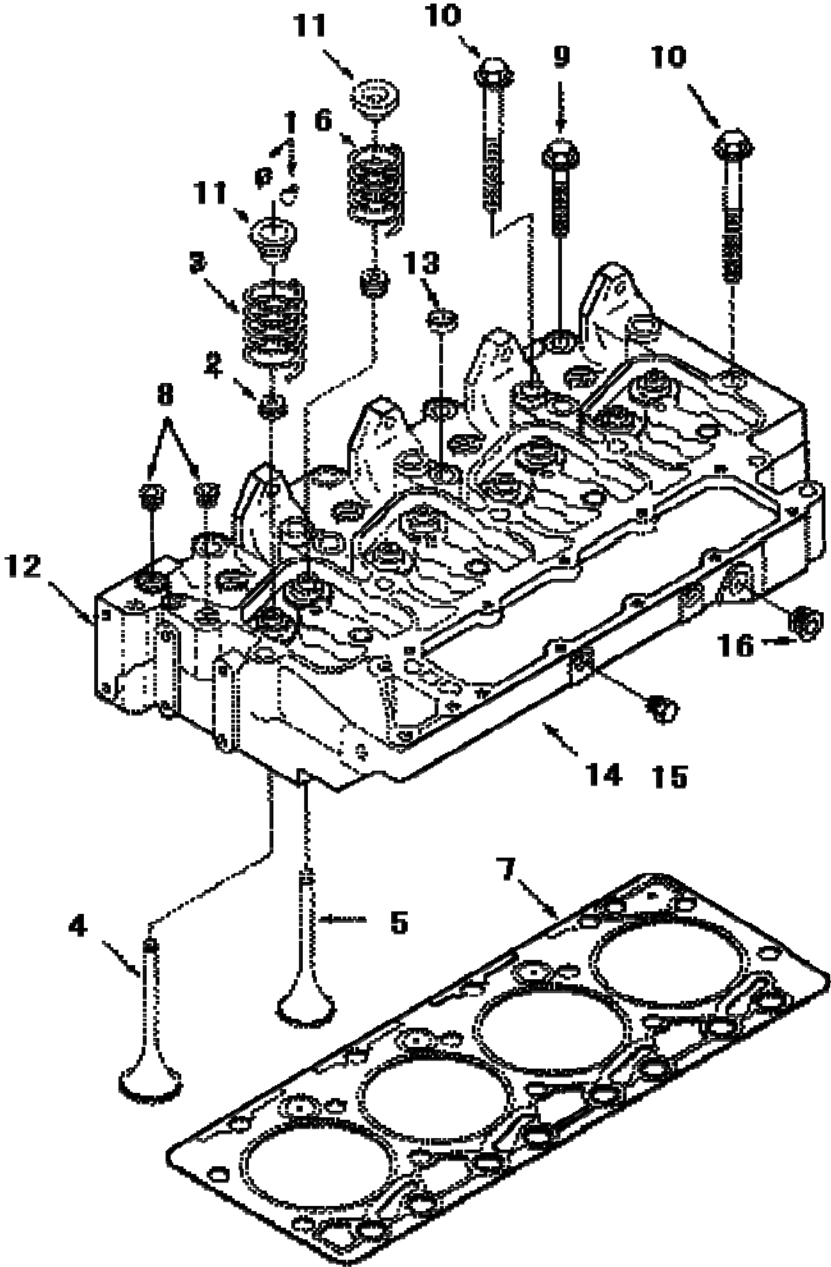




EQB125-46

PERFORMANCE PARTS

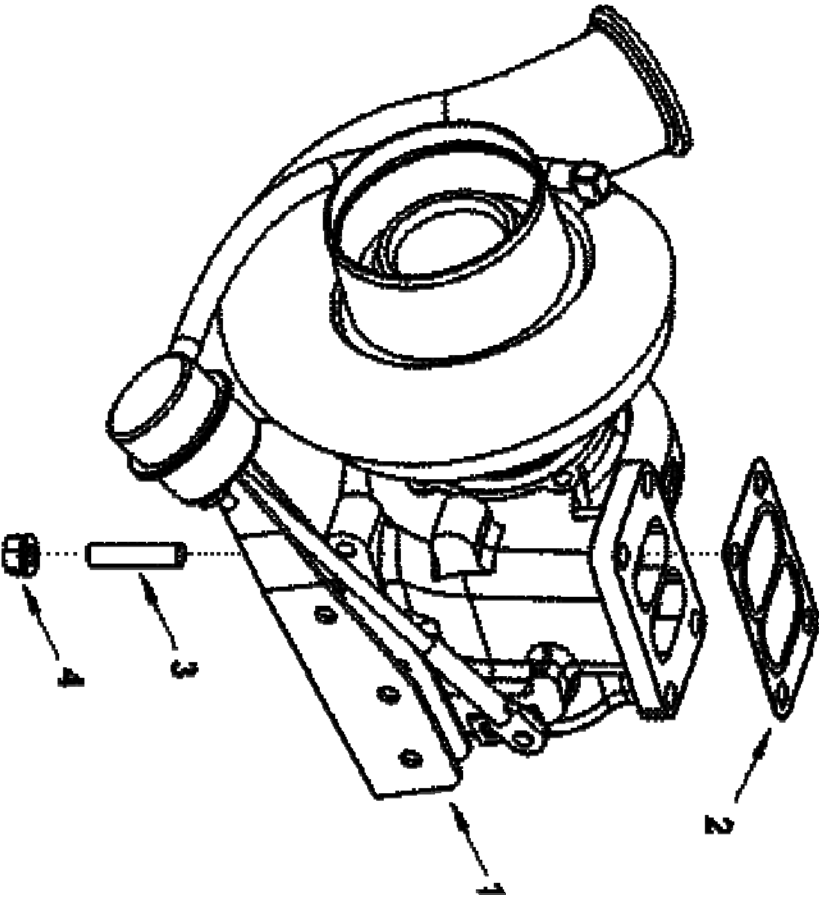
NO.	PART NO.	PART NAME & DESCRIPTION	QTY
1	C3356586ZZ	INJECTOR	1
2	A3356587	INJECTOR	4
3	A3909356	SEAL,RECTANGULAR RING	4
4	C3975389ZZ	Camshaft	1
5	3929885	CAMSHAFT	1
6	A3907431	GEAR,CAMSHAFT	1
7	C3927155	SUPPORT,CAMSHAFT	1
8	Q150B0820	SCREW,HEXAGON HEAD	2
9	Q5500416	KEY,PLAIN WOODRUFF	1
10	C3975390ZZ	Piston,Engine	1
11	A3901170	BEARING,CONNECTING	8
12	A3901706	RING,RETAINING	8
13	A3902286	RING,COMPRESSION	4
14	A3902401	RING,COMPRESSION	4
15	A3903384	RING,OIL PISTON	4
16	A3919053	PIN,PISTON	4
17	C3926631	PISTON	4
18	C3942581	Rod,Engine Connecting	4
19	A3941476	BUSHING	1
20	C3900919	Screw,Connecting Rod	2

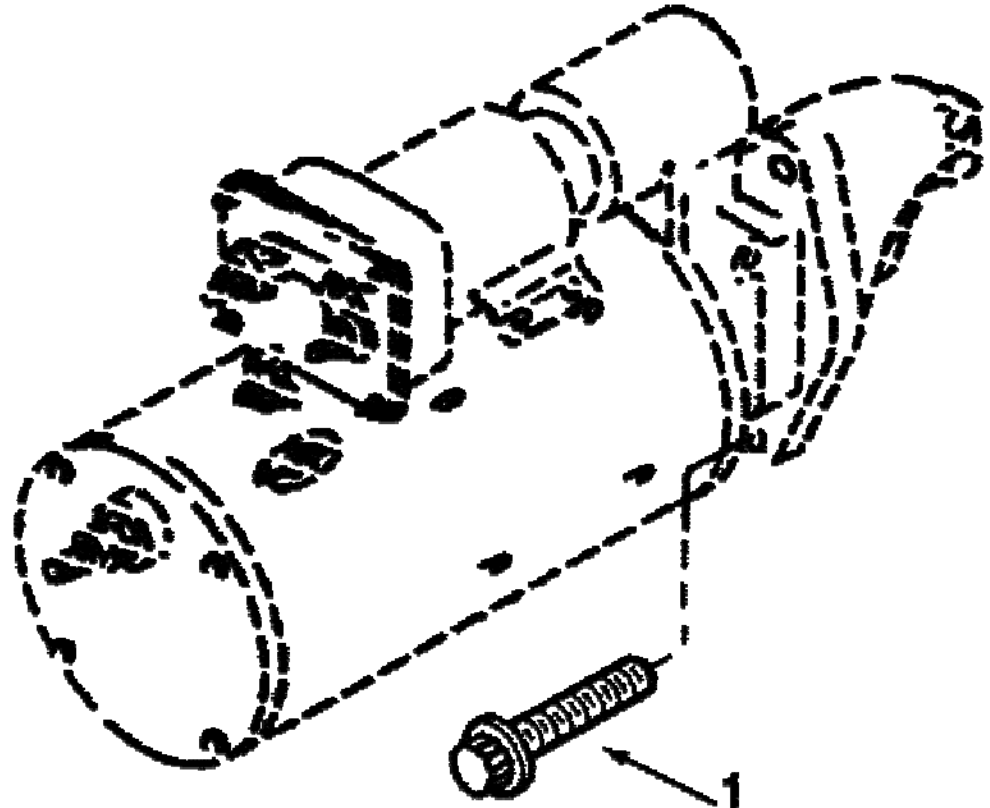


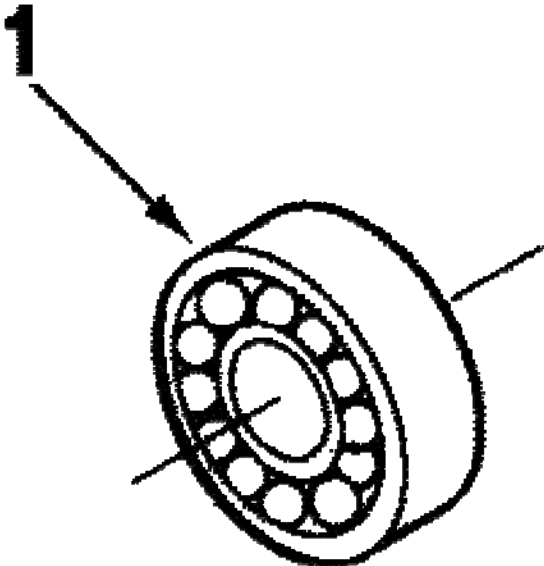
EQB125-47

HEAD,CYLINDER

NO.	PART NO.	PART NAME & DESCRIPTION	QTY.
1	3900250	COLLET,VALVE	16
2	3957912	SEAL,VALVE STEM	8
3	A3900276	SPRING,VALVE	4
4	A3901117	VALVE,INTAKE	4
5	A3901607	VALVE,EXHAUST	4
6	A3916691	SPRING,VALVE	4
7	A3921393	GASKET,CYLINDER HEAD	1
8	C3008468	PLUG, PIPE	2
9	C3920779	Screw,Hex flange head	4
10	C3920780	Screw,hex flange head ca	10
11	C3957913	RETAINER,VALVE SPRING	8
12	C3966448	HEAD,CYLINDER	1
13	A3902606	PLUG,EXPANSION	3
14	C3966447	HEAD,CYLINDER	1
15	A3933370	CASTING,CYLINDER HEAD	1
16	RQ61901-J8	PLUG,PIPE	1

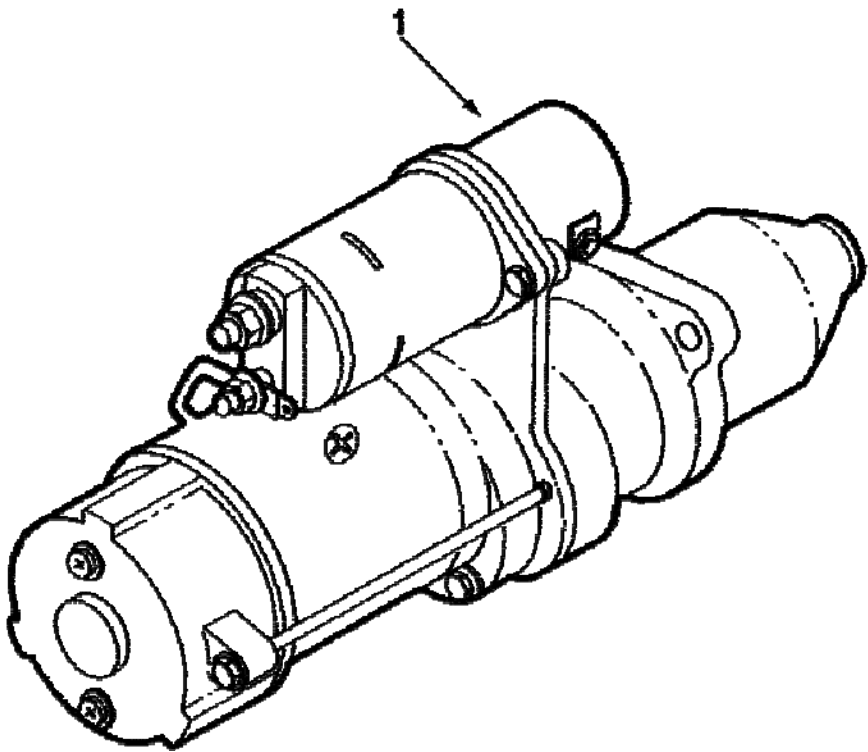


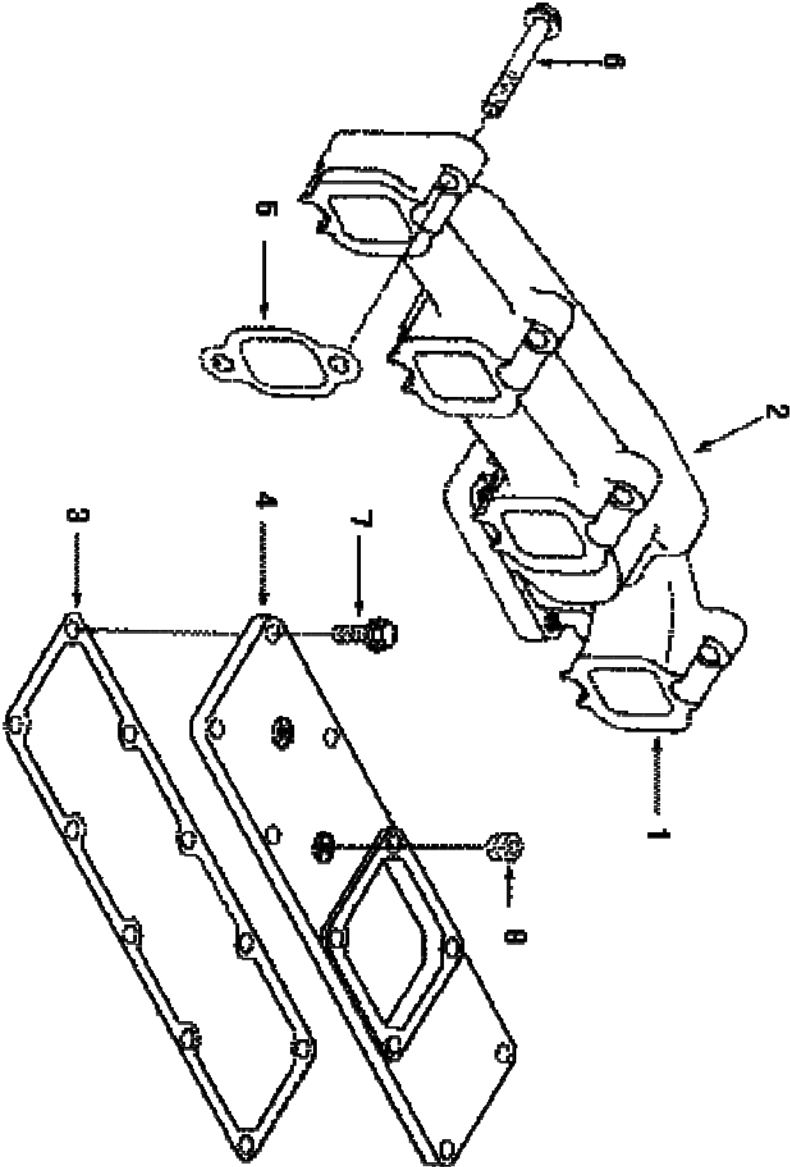


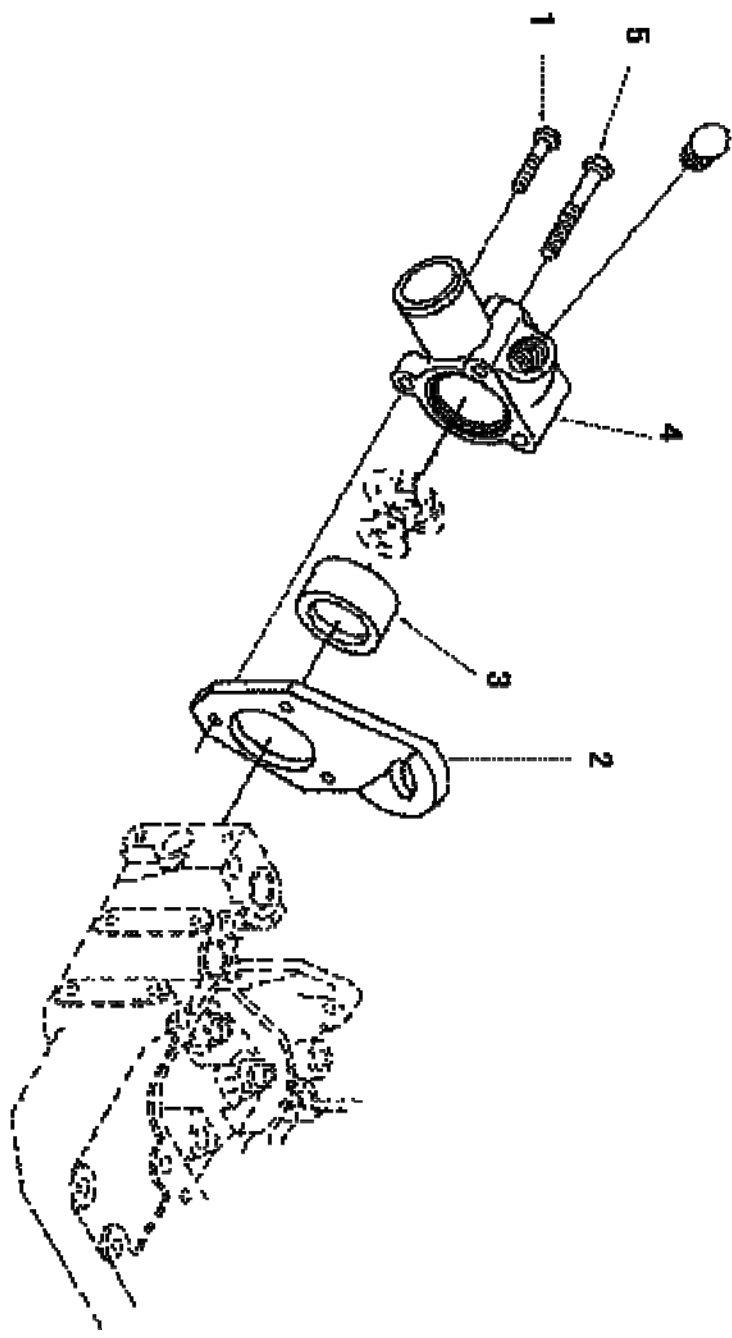


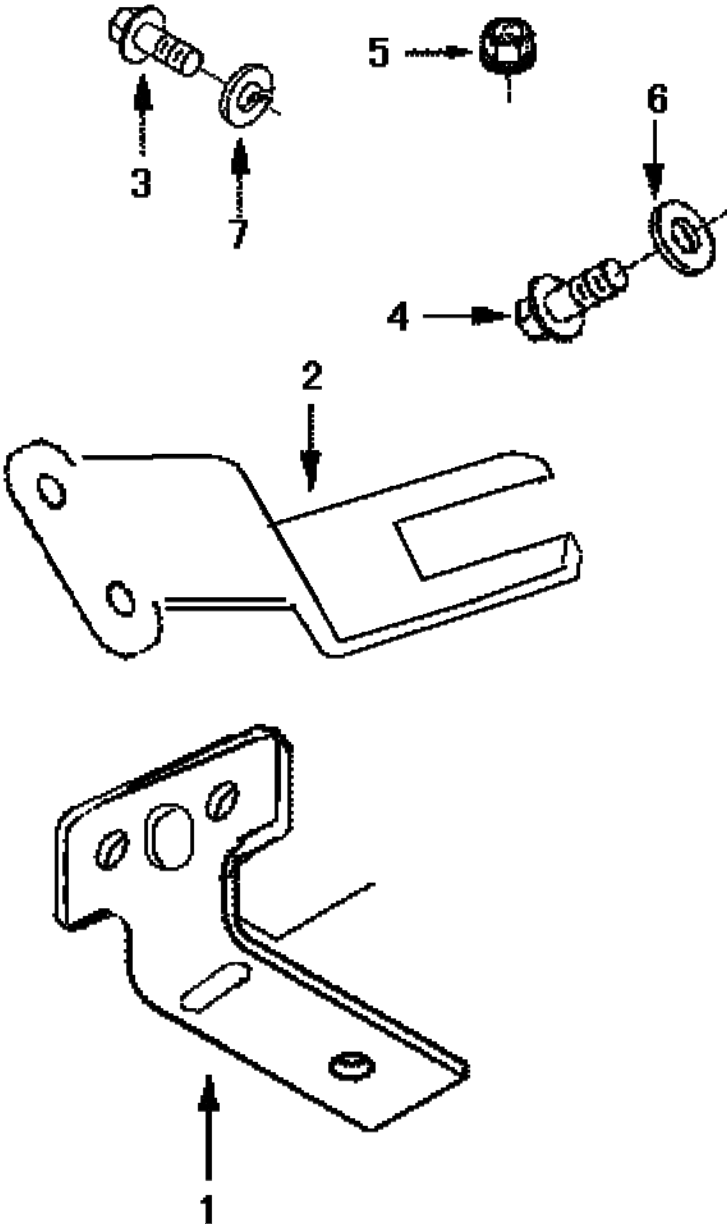
EQB125-51

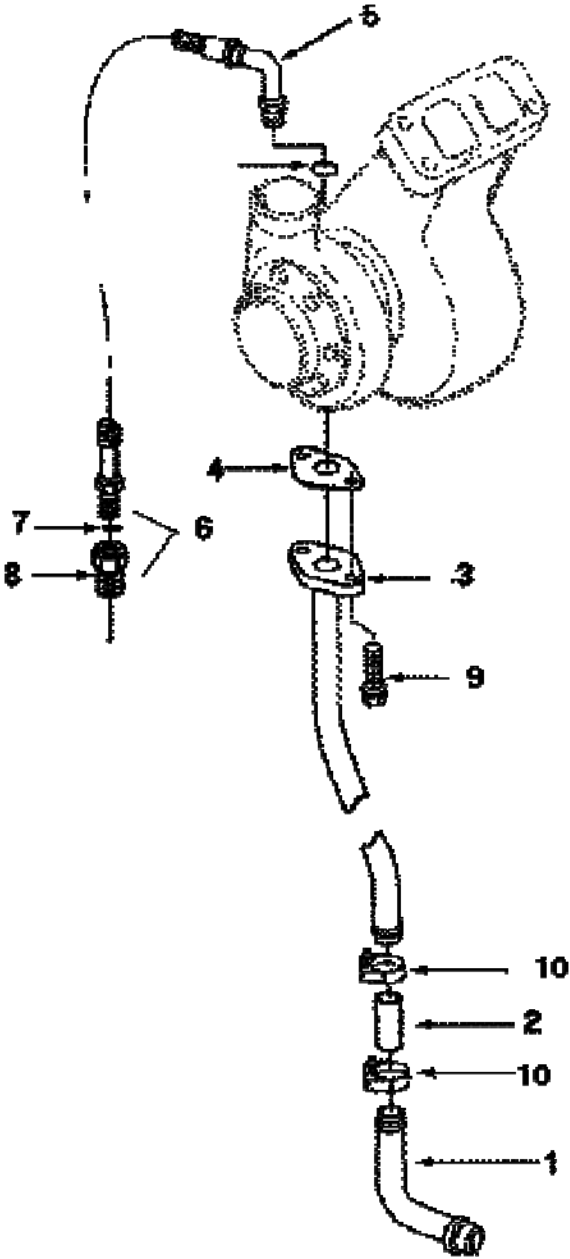
MOTOR, STARTING

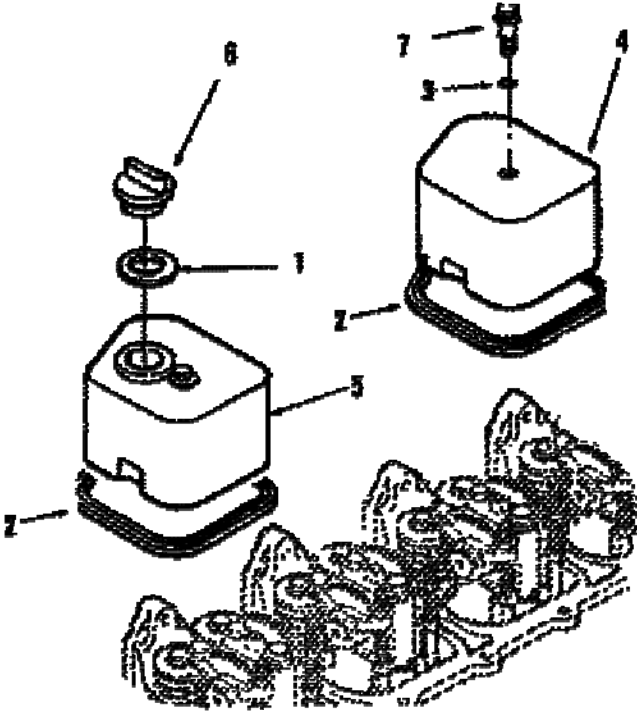


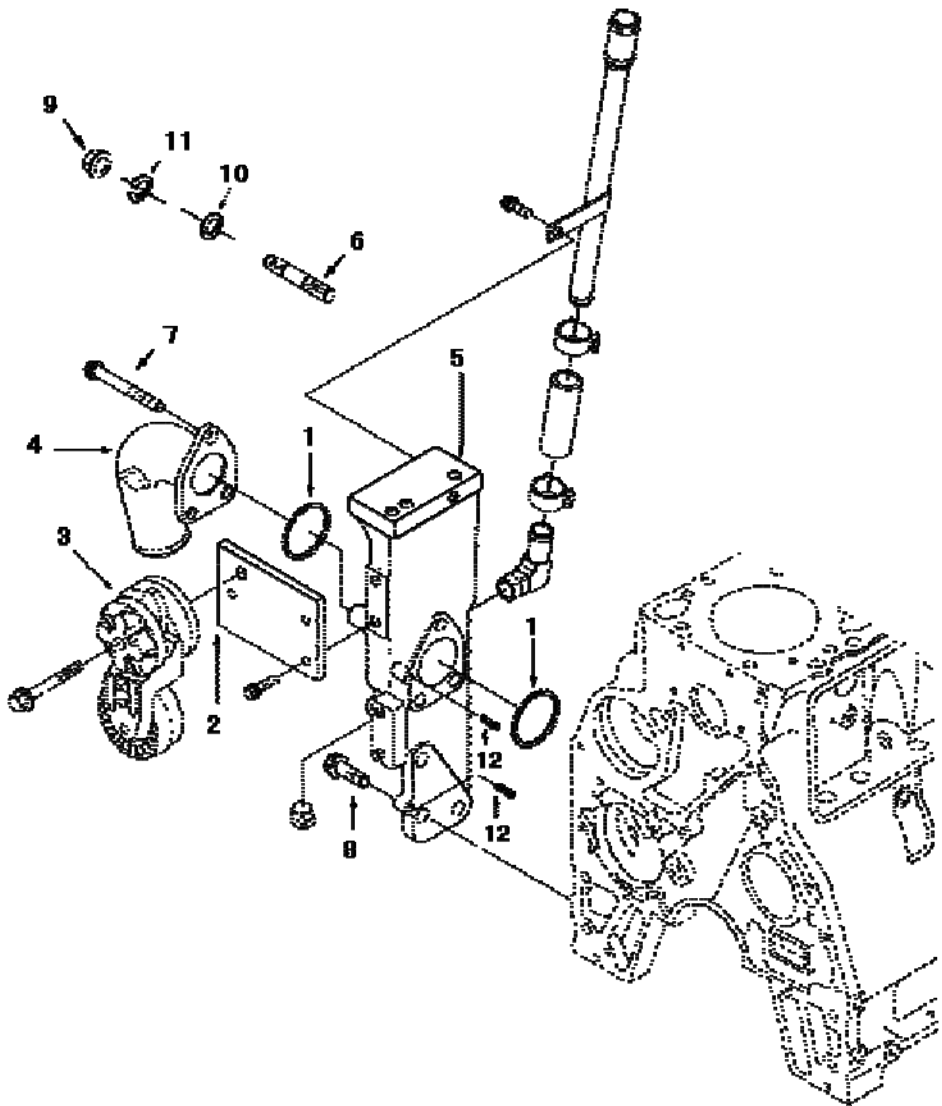


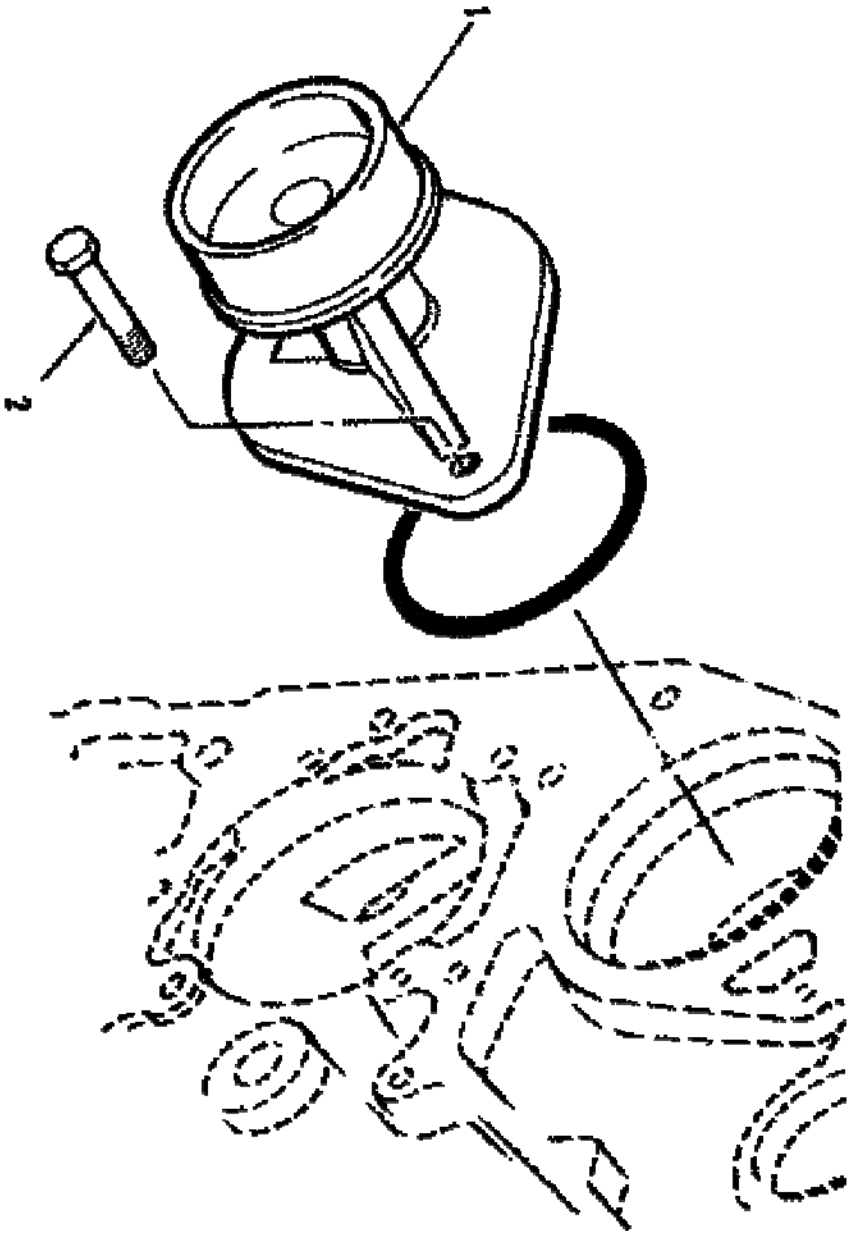






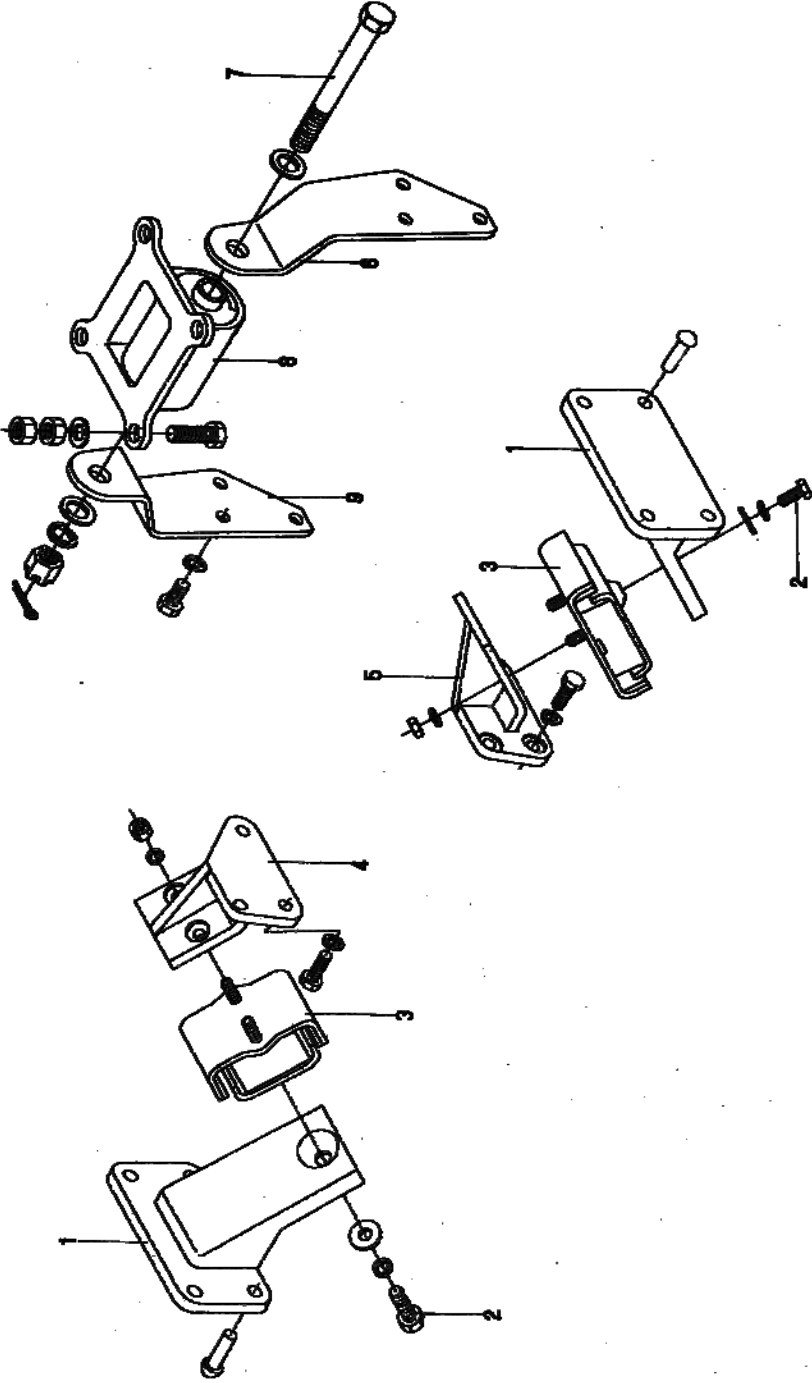






2. ENGINE SYSTEM

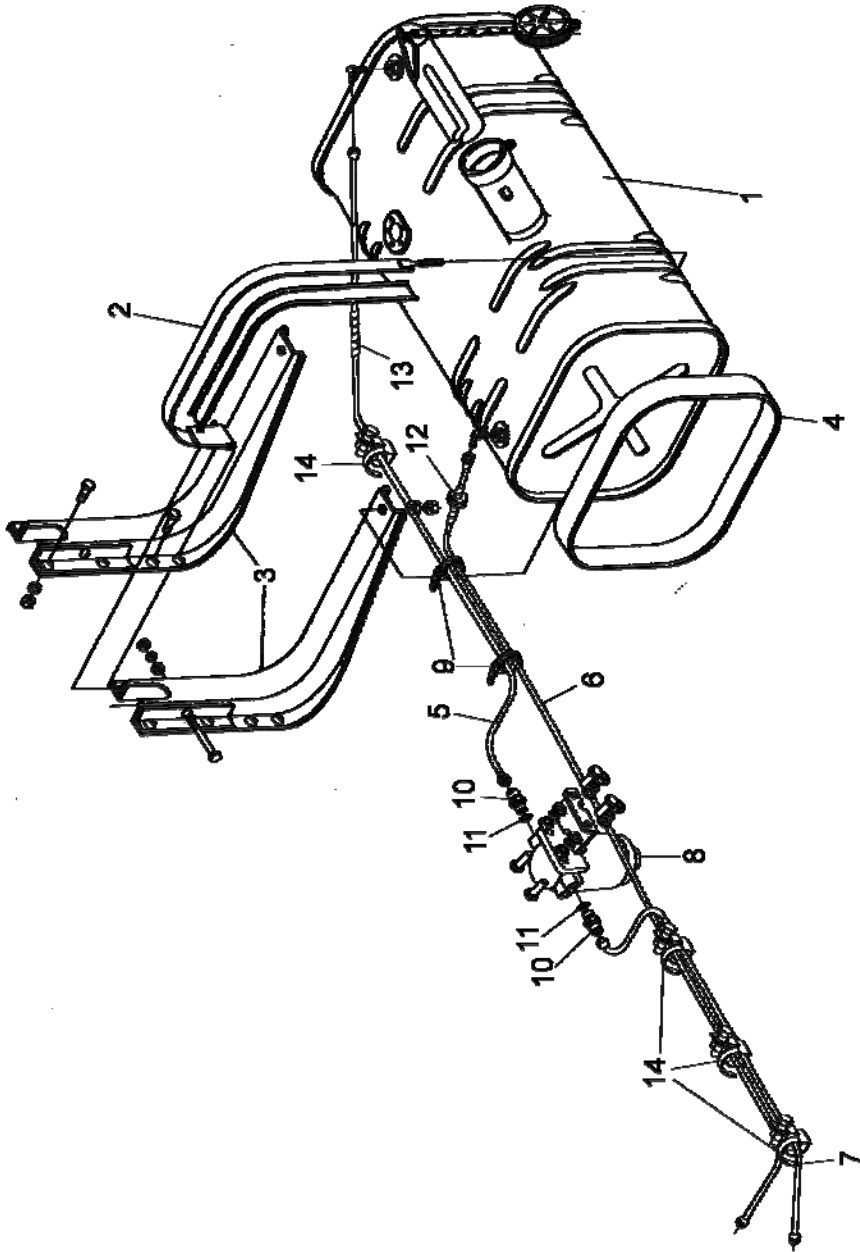
ES1001 Engine Mounting	2-2
ES1101 Fuel Supply System	2-5
ES1102 Throttle Controlling Mechanism	2-8
ES1103 Inlet System	2-11
ES1201 Exhaust System	2-17
ES1301 Cooling System	2-20



ES1001

Engine Mounting

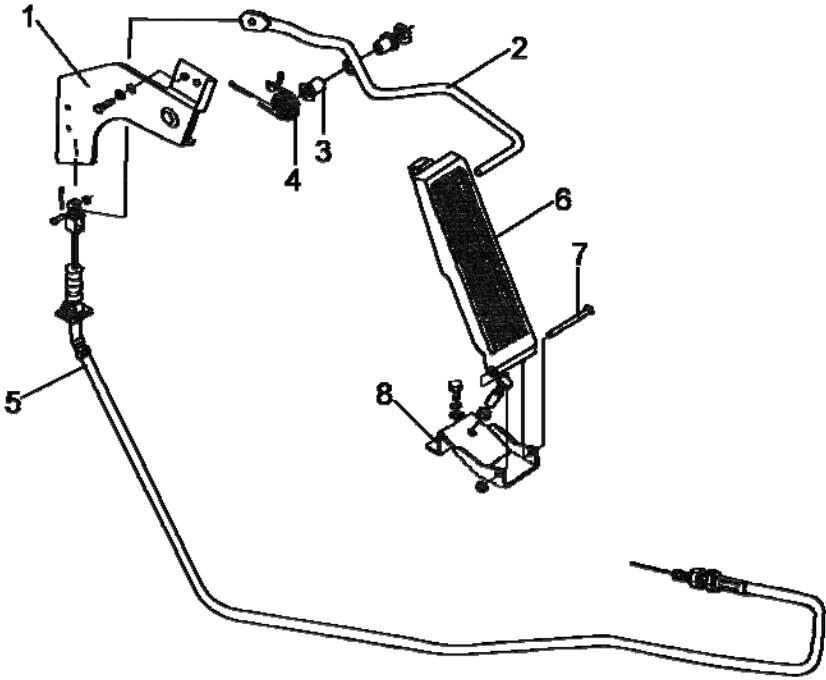
NO.	PART NO.	PART NAME & DESCRIPTION	QTY
1	10Q01-01016-C	Bracket,Engine front mounting	2
	Q4501242	Half round head rivet	8
2	Q150B1225-OH1	Bolt	2
	Q40212	Plain washer	2
	Q40312	Spring washer	2
3	10Q01-01020-B	Engine front mounting cushion assy	2
	Q40310	Plain washer	4
	Q340B10	Nut	4
4	10Q01-01014-B	Engine front mounting right bracket	1
5	10Q01-01013-B	Engine front mounting left bracket	1
	Q150B1235	Bolt	3
	Q150B1240	Bolt	3
	Q40312	Spring washer	6
6	10Q17-01040	Engine rear mounting left bracket	1
	Q150B1425	Bolt	3
	Q40314	Spring washer	3
7	10Q01-01049	Bolt,Engine rear mounting	1
	Q40218	Big washer	1
	Q40318	Spring washer	1
	Q381B18	Nut	1



ES1101

Fuel Supply System

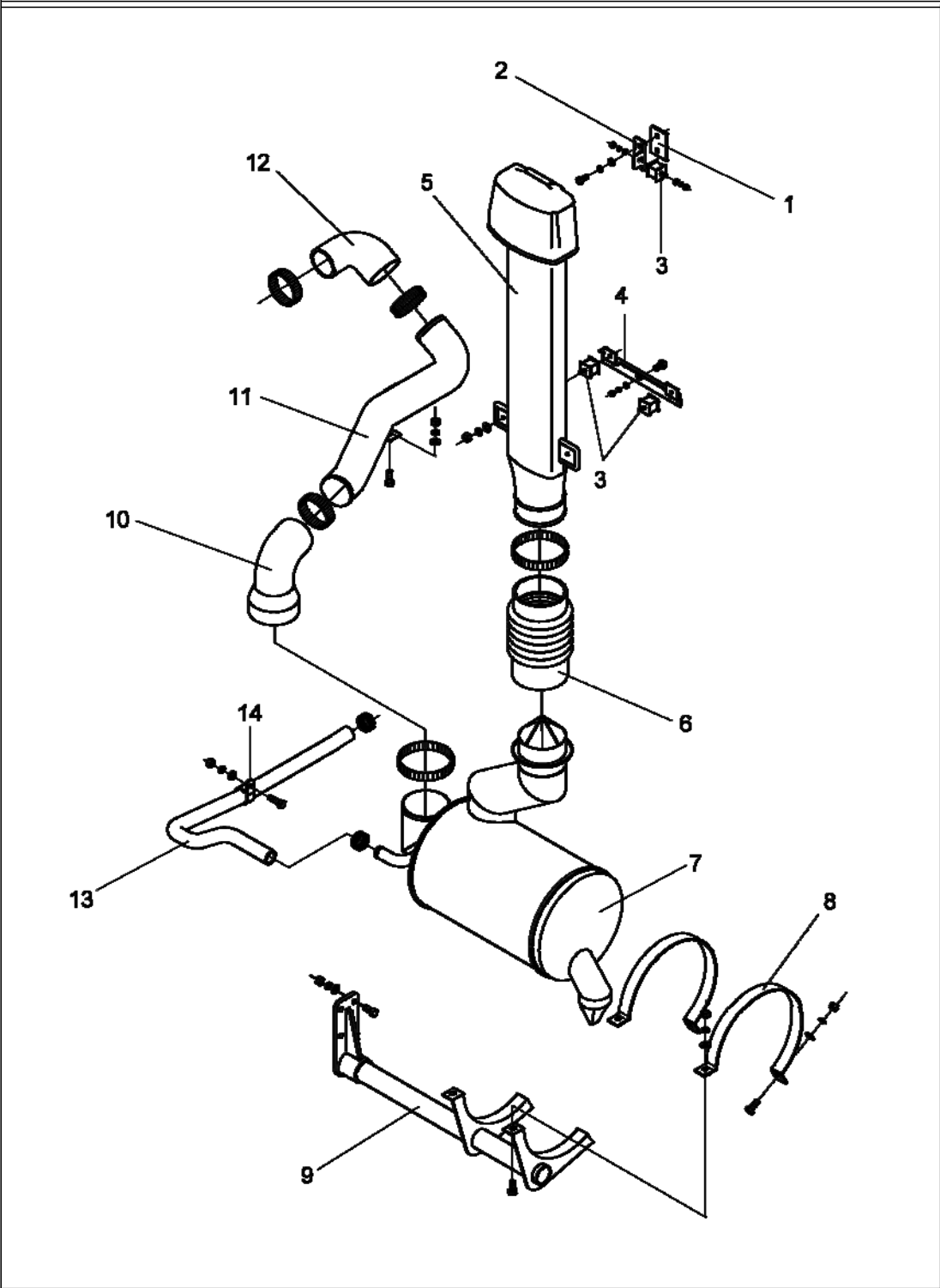
NO.	PART NO.	PART NAME & DESCRIPTION	QTY.
1	1101Q01-001	Fuel tank assy	1
2	11Q01-01110	Fuel tank bracket assy	2
	Q340B10	Nut	4
	Q40108	Plain washer	4
	Q40110	Plain washer	2
	Q500B3216	Pin	2
	Q510B0850	Pin shaft	2
3	11Q01-01105-A	Fuel tank bracket assy	2
	Q150B1030	Bolt	8
	Q340B10	Nut	8
	Q40110	Plait washer	16
	Q40310	Spring washer	8
4	11Q01-01115	Main fuel tank protecting band	2
5	RQ860B10090	Fuel supply hose--fuel tank to prefilter	1
6	RQ86008210	Fuel supply hose--fuel return	1
7	RQ860B10150	Hose assy--prefilter to fuel supply pump	1
8	1119G-019	Fuel prefilter assy (install on the left side of frame)	1
	Q150B0830	Bolt	4
	Q40108	Plait washer	4
	Q40308	Spring washer	4



ES1102

Throttle Controlling Mechanism

NO.	PART NO.	PART NAME & DESCRIPTION	QTY
	11V66-08020-A	Accelerating drive device assy (Incl. NO. 1~4)	1
1	11V66-08030-A	Limit bracket assy	1
	Q150B0820	Bolt	3
	Q40108	Plain washer	3
	Q40308	Spring washer	3
2	11V66-08025-A	Accelerating push rod assy	1
	Q40112	Plain washer	1
	Q500B2530	Pin	1
3	11N-08036	Plastic bush	2
4	11QA-08023	Return spring--accelerating push rod	1
5	11V65-08050	Accelerating drive control cable assy	1
	Q40106	Plain washer	2
	Q500B1620	Pin	2
	Q510B0614	Pin shaft	2
	11V66-08010	Accelerating pedal assy (Incl. NO. 6~8)	1
6	11QA-08011	Accelerating pedal	1
7	11V66-08014	Pin shaft--connecting pedal bracket to pedal	1
8	11V66-08015-A	Accelerating pedal bracket assy	1
	11V66-08016	Limit pipe	1
	Q150B0830	Bolt	1



ES1103

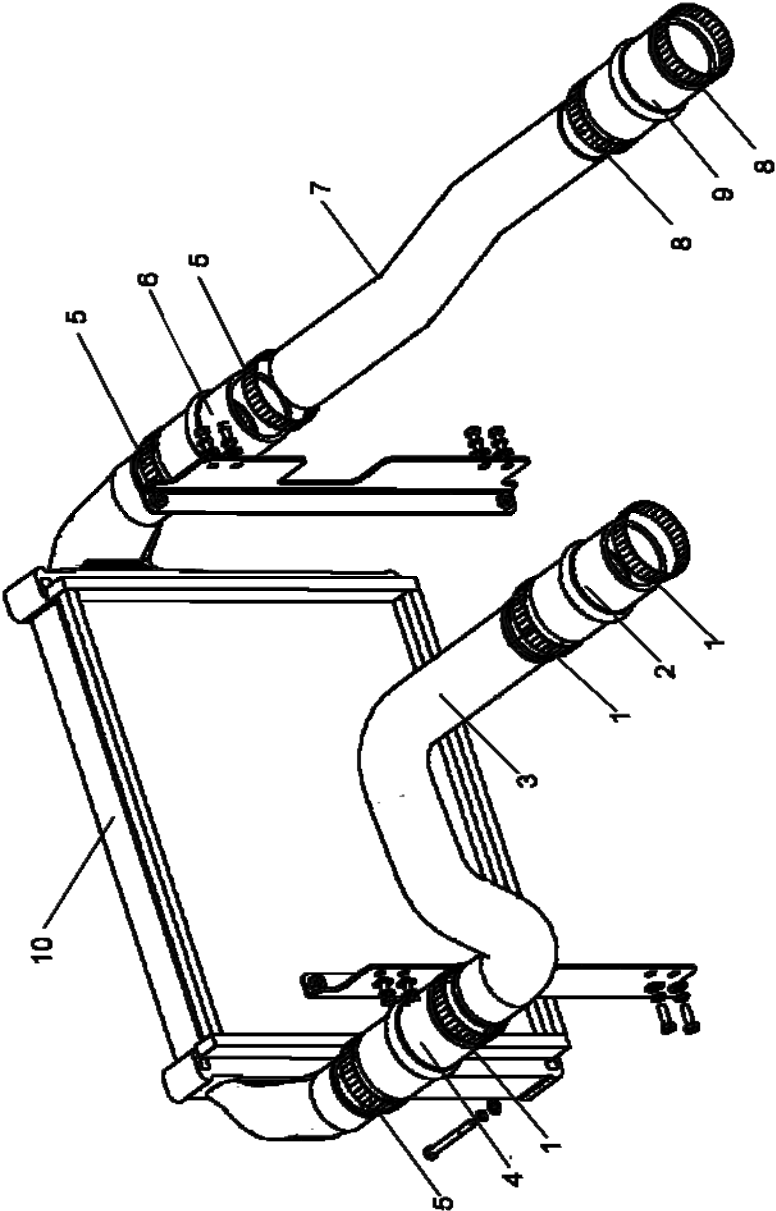
Inlet System

NO.	PART NO.	PART NAME & DESCRIPTION	QTY.
1	11V50-09069	Cowl cushion	1
2	11V65-09061	Upper bracket	1
3	11V50-09065	Inlet pipe cushion assy	3
	Q340B06	Nut	6
	Q40106	Plain washer	6
	Q40306	Spring washer	6
4	11V50-09071	Lower bracket	1
	Q150B0825	Bolt	2
	Q340B08	Nut	2
	Q40308	Spring washer	2
	Q40108	Plain washer	2
5	11V50-09010-A	Inlet pipe assy	1
6	11V50-09042	Air filter inlet hose	1
	JK-442.120	Clamp	1
7	1109DJ14-001	Air filter assy	1
8	11Q01-09019	Air filter Clip	2
	Q150B1035	Bolt	4
	Q340B10	Nut	4
	Q40110	Plain washer	4
	Q40310	Spring washer	4

ES1103

Inlet System

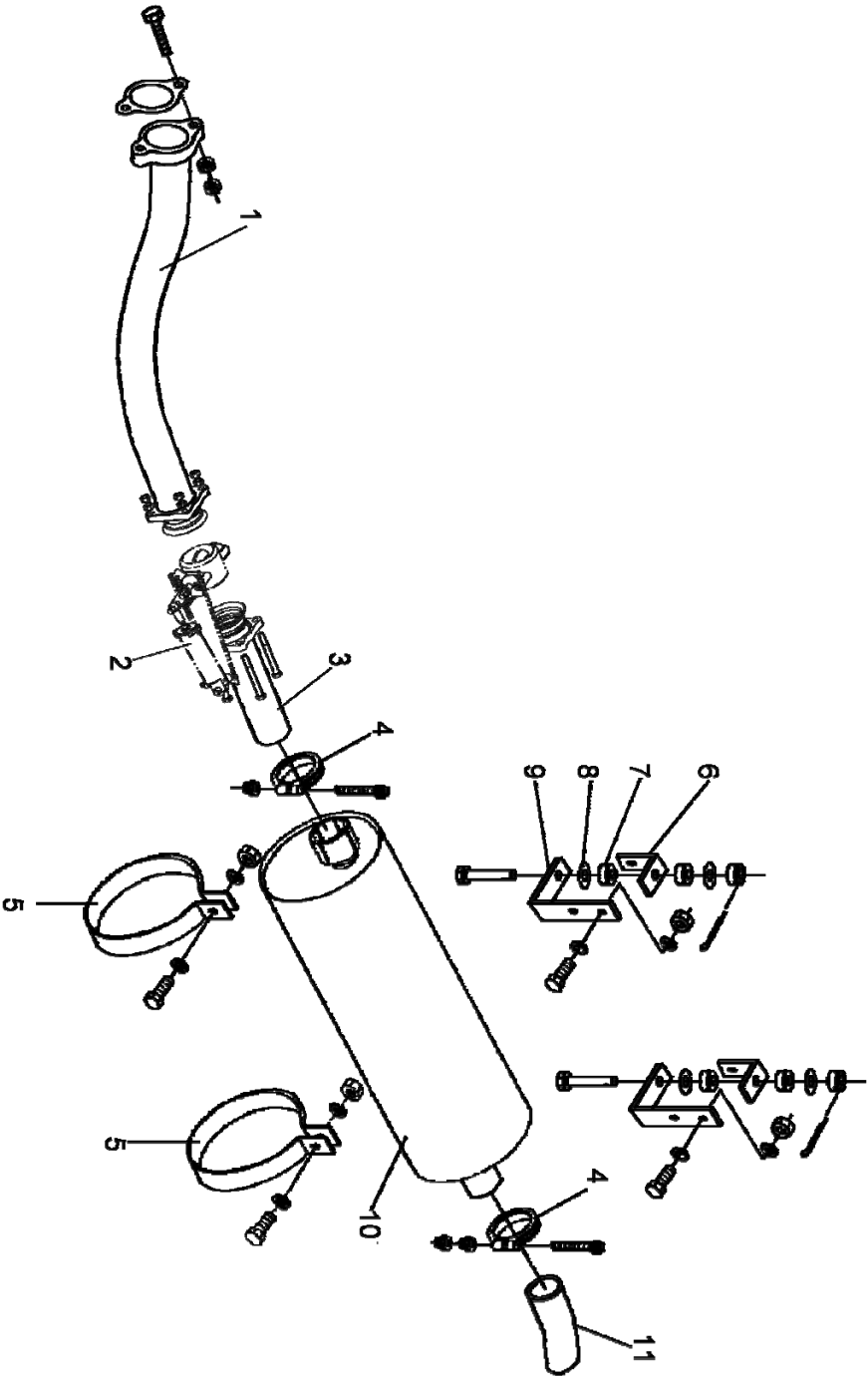
NO.	PART NO.	PART NAME & DESCRIPTION	QTY
9	11V93B-09015	Air filter bracket assy	1
	Q150B1035	Bolt	4
	Q340B10	Nut	4
	Q40110	Plain washer	4
	Q40310	Spring washer	4
10	11DJ10-09011	Inlet hose — Air filter	1
	JK-442.120	Clip	1
	JK-442.090	Clip	1
11	11DJ10-09025	Steel pipe assy	1
	Q150B0820	Bolt	1
	Q40108	Plain washer	1
	Q40308	Spring washer	1
	Q340B08	Nut	1
12	11Q01-09013	Air suction rubber pipe	1
	JK-442.090	Clip	2
13	11DJ10-09006	Air inlet pipe- air compressor	1
	37QA-24053	Harness clip	1
	RQ8551935	Strip	1
	ZD250X7.5	Nylon strip	2
14	11V65C-09830	Hose clip assembly	3



ES1104

Intercooling System

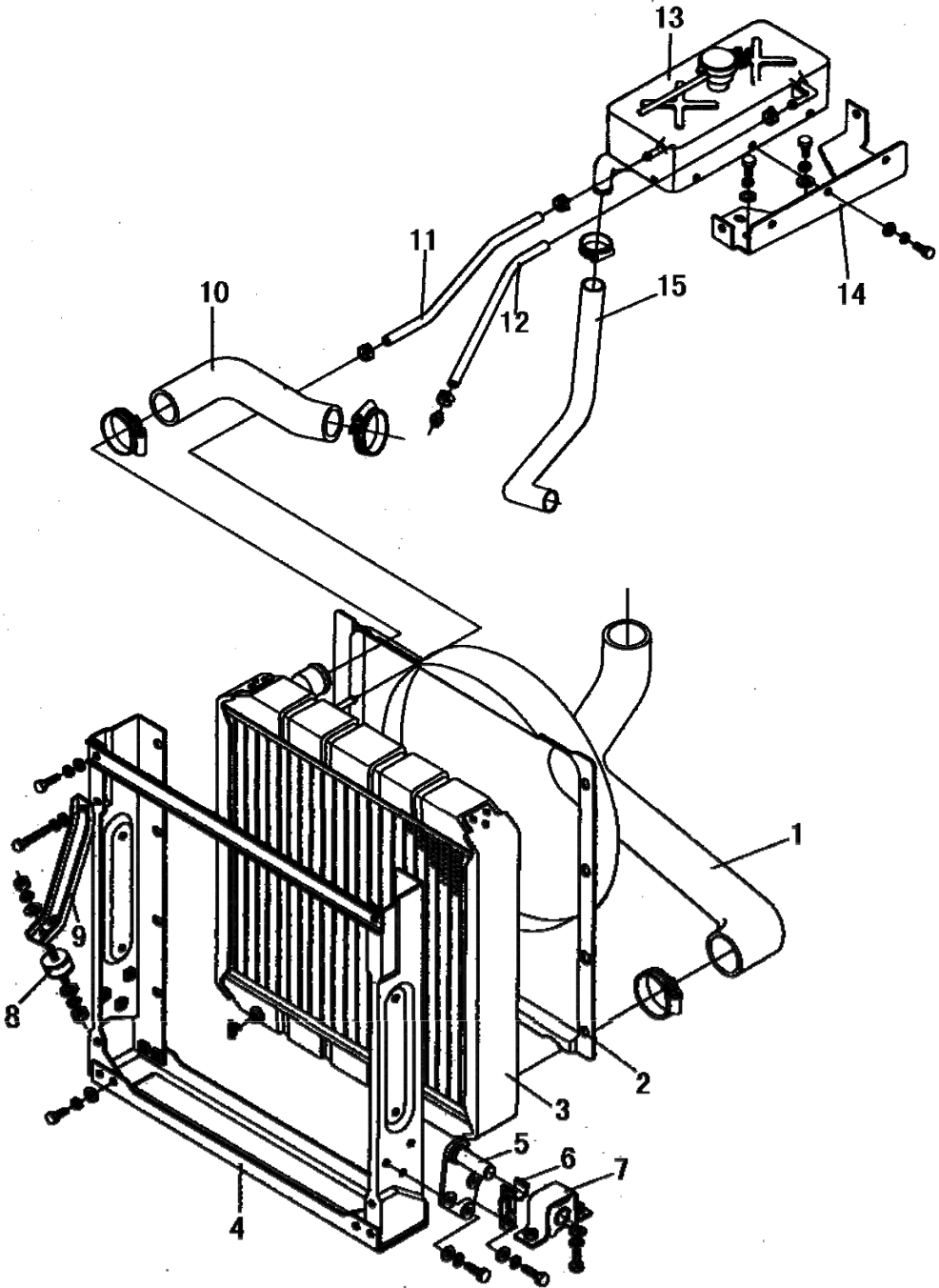
NO.	PART NO.	PART NAME & DESCRIPTION	QTY.
1	JK-442.090	Throttle hoop	3
2	11Q01-18117	Engine rubber pipe	1
3	11DJ10-18116	Intercooler air outlet pipe	1
4	11V65C-18113	Intercooler rubber pipe	1
5	JK-442.095	Throttle hoop	3
6	11DJ10-18114	Intercooler rubber pipe	1
7	11DJ10-18112	Intercooler air inlet pipe	1
8	JK-442.080	Throttle hoop	2
9	11V65C-18119	Air suction rubber pipe	1
10	1118DJ10-001	Intercooler assy	1
	Q150B1065	Bolt	2
	Q40110	Plain washer	2
	Q40310	Spring washer	2



ES1201

Exhaust System

NO.	PART NO.	PART NAME & DESCRIPTION	QTY
1	12DJ10-03010	Muffler air inlet assy	1
2	3541V65A-001	Exhaust braking valve	1
3	12Q17-03050	Connecting sleeve assy	1
	12D09-03018	Flange--muffler aie inlet pipe	1
	Q340B10	Type I hex nut	8
	Q150B10110	Bolt	4
4	12D-03032	Hoop band--fasten the muffler rear end	2
	12D-03039	Muffler screw	1
	Q40310	Spring washer	1
	Q340B10	Nut	3
5	12D-03033-A	Hoop band--fasten the muffler	2
	12D-03039	Muffler screw	2
	Q40310	Spring washer	2
	Q340B10	Type I hex nut	2
6	12.6B-03029	Rear hang board	2
	Q150B1025	Bolt	2
	Q340B10	Nut	2
	Q40110	Plain washer	2
	Q40310	Spring washer	2
7	12DD-03027	Cushion	4



P1301DN03

ES1301

Cooling System

NO.	PART NO.	PART NAME & DESCRIPTION	QTY
1	13Q01-03012	Radiator water outlet rubber pipe	1
	JK-442.080	Throttle hoop	2
2	13Q01-09011	Wind shield	1
	Q150B0816	Bolt	2
	Q150B0825	Bolt	1
	Q150B0822	Bolt	5
	Q40208	Big washer	6
	Q40308	Spring washer	8
3	1301Q01-010-A	Radiator assy	1
4	13DJ10-02001	Radiator	1
	13Q01-02101	Bracket drag link	1
	13Q01-02131	Bracket up mounting plate	1
	13DJ10-02120	Bracket right mounting plate assy	1
	13DJ10-02110	Bracket left mounting plate assy	1
	Q150B1020	Bolt	10
	Q40110	Plain washer	10
	Q40310	Spring washer	10
5	13Q01-02040	Radiator bracket assy	2
	Q150B1025	Bolt	4
	Q40110	Plain washer	4

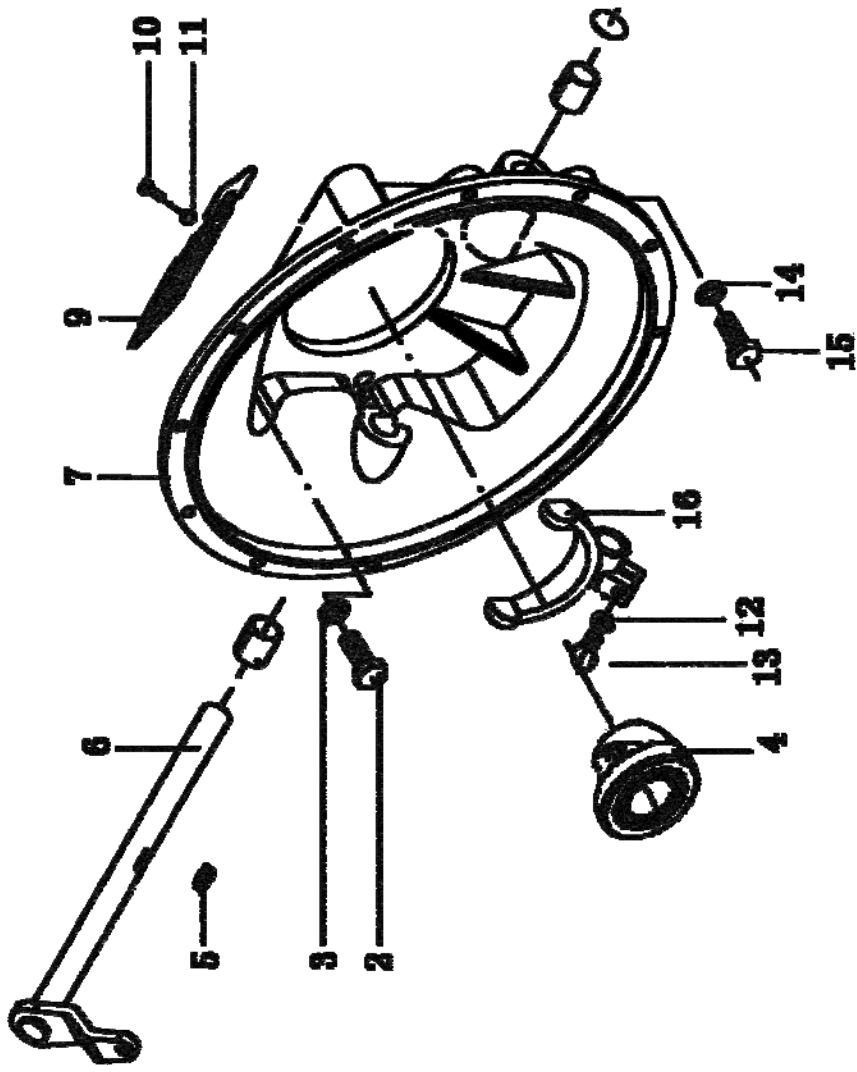
ES1301

Cooling System

NO.	PART NO.	PART NAME & DESCRIPTION	QTY
	Q40310	Spring washer	4
6	13Q01-02036	Radiator backing block	2
	Q150B1030	Bolt	2
	Q40110	Plain washer	4
	Q40310	Spring washer	4
7	13Q01-02030	Radiator cushion bracket assy	2
	Q40110	Plain washer	4
	Q40310	Spring washer	4
	Q150B1025	Bolt	4
8	13Q01-02015	Cushion assy	2
	Q40110	Plain washer	4
	Q40310	Spring washer	4
	Q340B10	Nut	4
9	13DM01-02026	Side support	2
	Q150B1065	Bolt	2
	Q40110	Plain washer	2
	Q40310	Spring washer	2
10	13Q01-03011	Radiator water injet pipe	1
	JK442.060	Throttle hoop	2
11	13V65-11051	Thermostat degassing pipe	1

3. CLUTCH

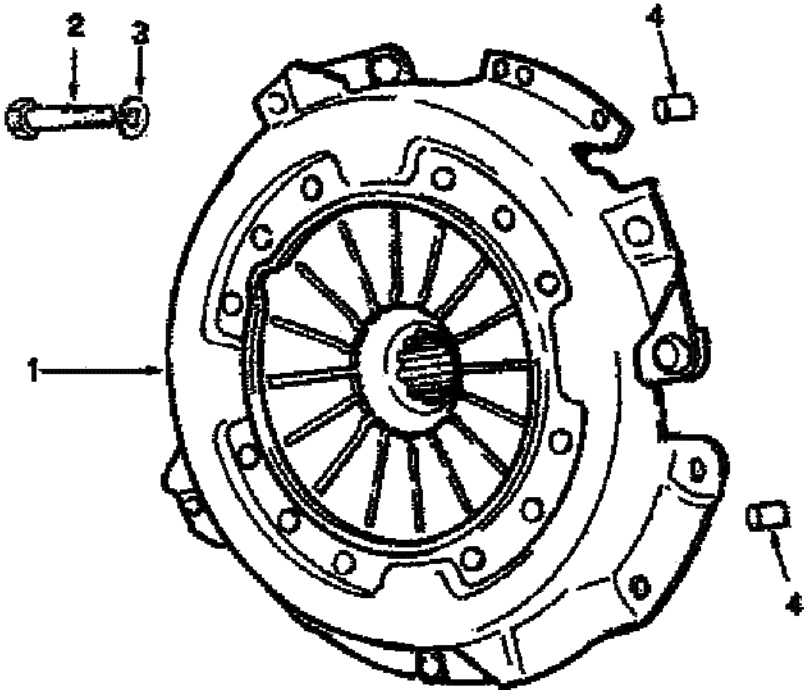
CL1601 Clutch Housing.....	3-2
CL1602 Clutch Cover and Pressure Disc Assy.....	3-4
CL1603 Clutch Driven Disc	3-6
CL1604 Clutch Control System	3-8

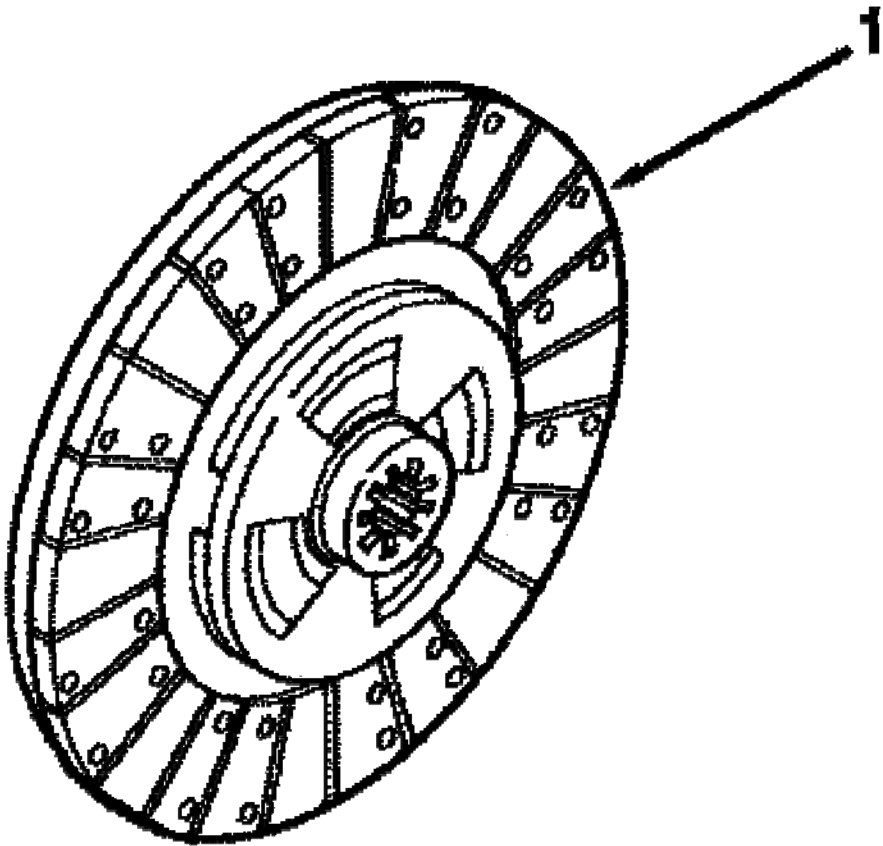


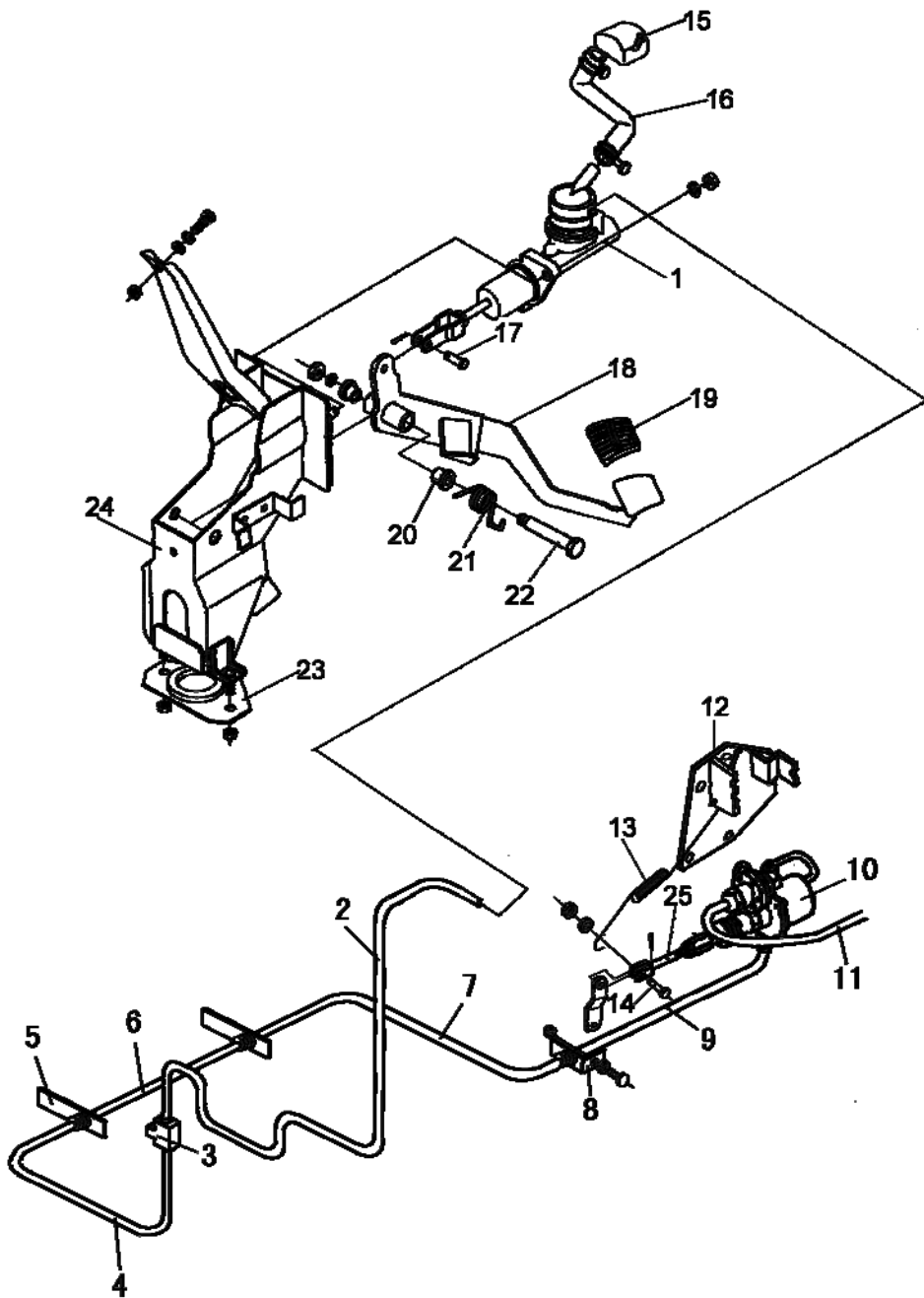
CL1601

Clutch Housing

NO.	PART NO.	PART NAME & DESCRIPTION	QTY
1	Q150B1650	Bolt	4
2	Q40316	Spring washer	4
3	16V24A-02050	Clutch release bearing assy	1
4	Q5510825	Key	1
5	CL160101-02060-B	Clutch release fork shaft and arm assy	1
6	CL1601.2C/Y-01012	Clutch housing assy	1
7	CL1601D-01013	Clutch ventilating cover set	1
8	Q150B0616	Bolt	2
9	Q40306	Spring washer	2
10	Q40308	Spring washer	1
11	Q150B0840	Bolt	1
12	Q40316	Spring washer	2
13	Q151B1645	Bolt	2
14	CL1601.2C/Y-02065	Clutch release fork with pin assy	1







P1603DA05

CL1604

Clutch Control System

NO.	PART NO.	PART NAME & DESCRIPTION	QTY
1	CL160445-010-A	Clutch master pump assy	1
	Q340B08	Type I hex nut	2
	Q40308	Spring washer	2
2	16V66-06030	Front oil pipe assy--clutch master pump to brake chamber	1
3	35QA-06013	Straight joint	1
4	16V66-06035	Second oil pipe assy--master pump to brake chamber	1
5	35V66-06513	Ruber pipe bracket	1
	Q41010	Inner sawtooth lock washer	2
	Q351B10	Hex thin nut	2
6	16V50-06040-B	Front hose assy--clutch	1
7	16DJ02-06050	Rear oil pipe assy --clutch master pump to booster	1
8	16V66-06066	Clutch rear oil pipe bracket	1
	Q150B1020	Bolt	1
	Q40310	Spring washer	1
	Q340B10	Type I hex nut	1
	Q351B10	Hex thin nut	1
	Q41010	Hex thin nut	1
9	16N-06060	Rear oil pipe assy--clutch	1
10	CL1604N-001	Booster assy	1
	CL160406-06068	Booster free flow coupling	1

CL1604

Clutch Control System

NO.	PART NO.	PART NAME & DESCRIPTION	QTY
	35D-06805	Single pipe clip Up bracket	1
	35D-06806	Single pipe clip lower bracket	1
	Q150B0860	Bolt	1
	Q340B08	Type I hex nut	1
	Q40308	Spring washer	1
	Q72314-9	Seal washer	1
11	RQ85010280	Nylon pipe assy	1
12	16CB04-02040	Braket set--clutch booster	1
13	16A-02043	Return spring--	1
14	Q510B1035	Pin shaft	1
	Q500B2520	Split pin	1
	Q350B12	Hex thin nut	1
	Q40110	Plain washer	1
15	16V66-05010	Oil reservoir assy	1
	Q40305	Spring washer	1
	Q40105	Plain washer	1
16	16QB26-02025	Rubber pipe assy --oil reservoir to master pump	1
17	17QA-03122	Pin needle	1
	Q510B0820	Pin shaft	1
	16QA-02020	Clutch pedal assy(including NO 18~22)	1

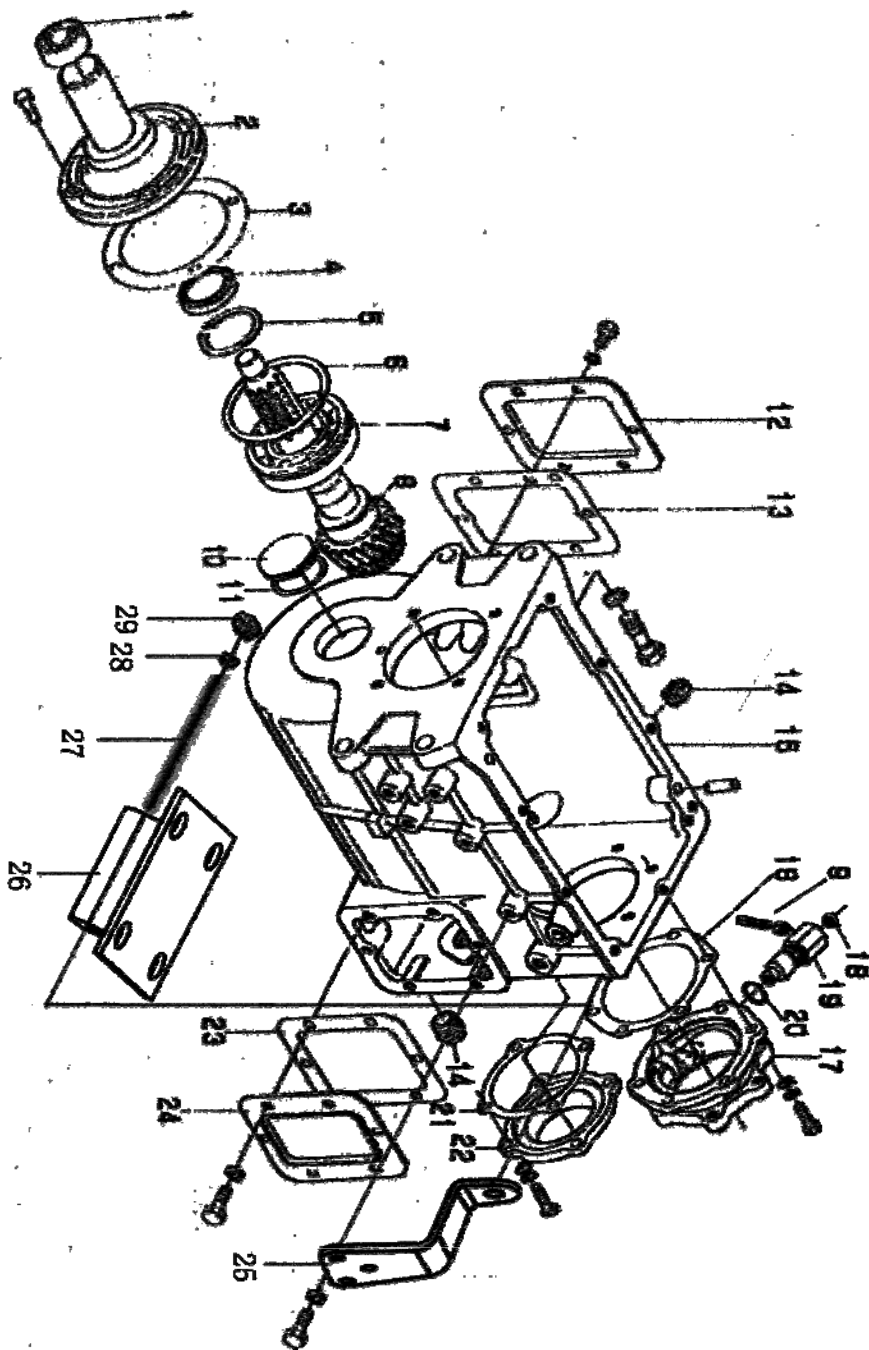
CL1604

Clutch Control System

NO.	PART NO.	PART NAME & DESCRIPTION	QTY
18	16QA-02021	Clutch pedal welding assy	1
19	35QA-04022	Pedal jacket	1
20	35QA-04019	Bush--pedal assy	2
21	16QA-02039	Clutch pedal return spring	1
22	16QA-02037	Clutch pedal shaft	1
	Q40308	Spring washer	1
	Q350B08	Hex thin nut	1
23	16QA-02127-B	Lower fixed board--pedal bracket	1
	Q32208	Hex lock nut wih flange	2
24	16DE09-02110	Clutch pedal bracket and braket set	1
	Q150B1020	Bolt	1
	Q40110	Plain washer	1
	Q40310	Spring washer	1
	Q340B10	Type I hex nut	1
25	CL1604-02075	Handspike assembly-booster	1

4. TRANSMISSION

TM1700 Transmission Assy	4-2
TM1701 Transmission Housing and Input Shaft	4-3
TM1702 Transmission Countershaft, Reverse Gear Shaft and Gear	4-7
TM1703 Transmission Output Shaft and Gear.....	4-10
TM1704 Top Cover and Upper Cover	4-14
TM1705 Transmission Controlling Mechanism	4-18



TM1701

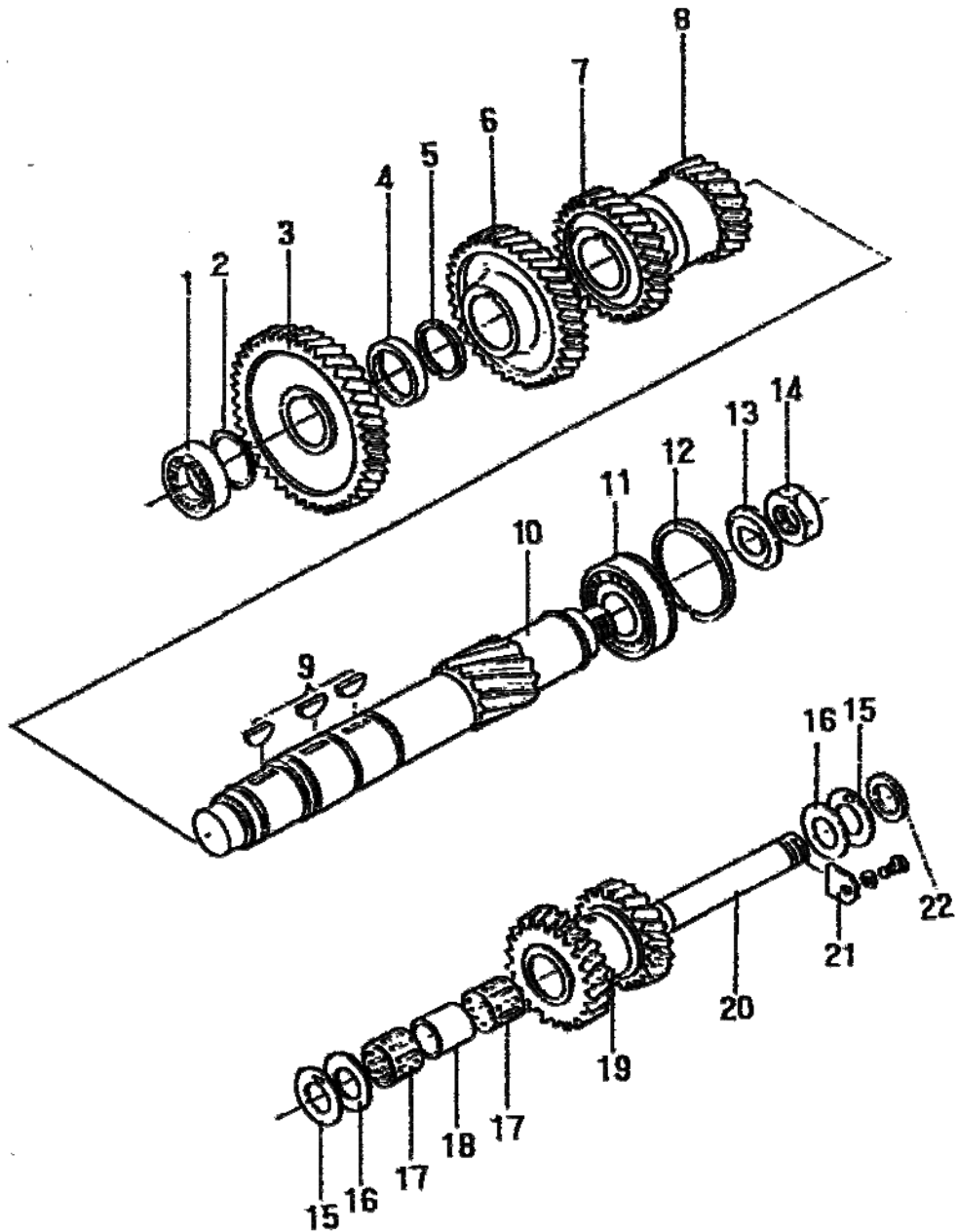
Transmission Housing and Input Shaft

NO.	PART NO.	PART NAME & DESCRIPTION	QTY.
1	TM17012050	Input shaft front bearing	1
2	TM17015-041	Input shaft bearing cover	1
	TM17014-630	Bolt	4
	Q40310	Spring washer	4
3	TM1701-042	Input shaft bearing cover spacer	1
4	TM17014-001	Inputshaft oil seal assy	1
5	Q43160	Circlip for shaft	1
6	Q433110	Steel cable baffle ring for shaft	1
7	Z*150212	Bearing	1
8	TM170117-031	Transmission input shaft	1
9	TM170160-522	Odometer driven gear	1
10	TM17015-058	Counter shaft front bearing cover	1
11	TM17015-059	Seal ring--counter shaft front bearing cover	1
12	TM1701-026	Power take-off cover	1
13	TM1701-027	Power take-off cover board spacer	1
	Q150B1020	Bolt	6
	Q40310	Spring washer	6
14	Q614B10-J8	Square head tapered screw plug	2
15	TM170117-025	Transmission housing	1
16	TM1701-152	Output shaft rear bearing seat spacer	1

TM1701

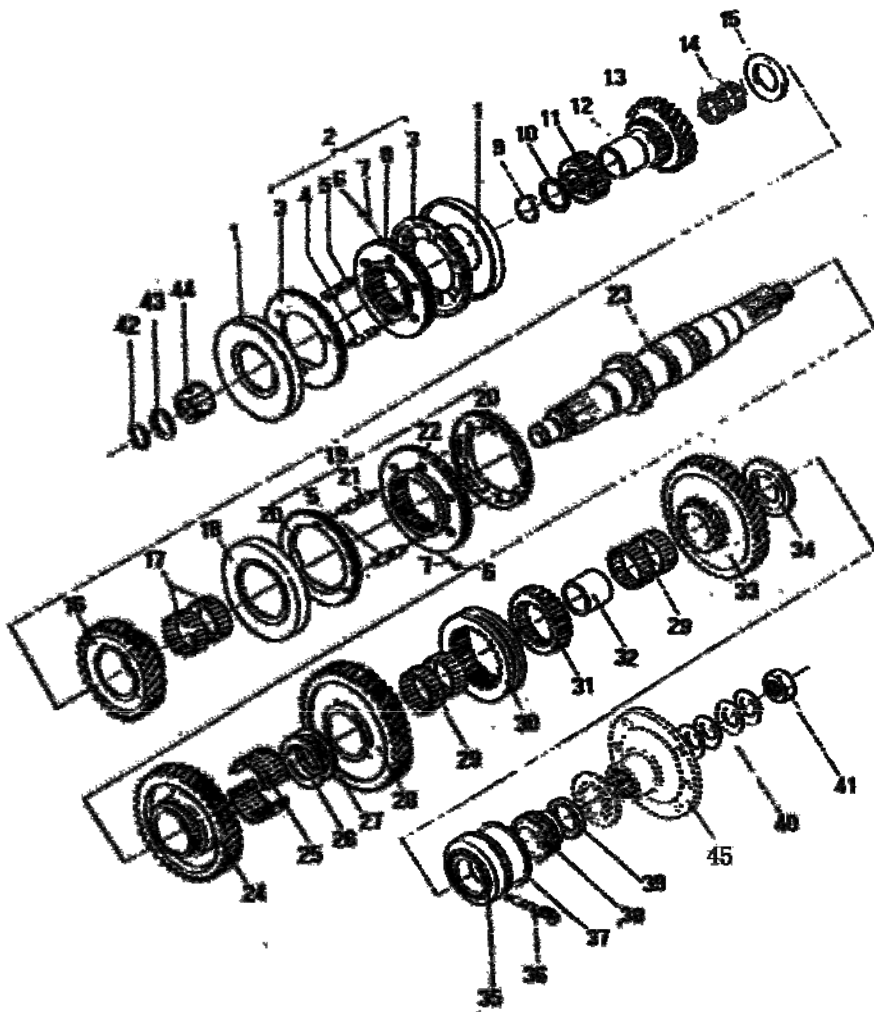
Transmission Housing and Input Shaft

NO.	PART NO.	PART NAME & DESCRIPTION	QTY
17	TM1701-151	Output shaft rear bearing seat	1
	17004-632	Bolt--	1
	17004-630	Bolt	5
	Q40310	Spring washer	6
18	TM1701-328	Odometer driven gear oil seal assy	1
19	TM1701-326	Odometer flexible shaft joint	1
20	TM1701-327	O rubber seal ring--flexible shaft joint	1
21	TM1701-072	Seal washer--countershaft rear bearing cover	1
22	TM1701-071	Countershaft rear bearing cover	1
	Q150B1025-J0	Bolt	4
	Q41810	Spring washer	4
23	TM1701-029	Seal washer--reverse gear checking hole cover board	1
24	TM1701-028	Reverse gear checking hole cover board	1
	Q150B1020	Bolt	6
	Q40310	Spring washer	6
25	TM170117-01040	Left bracket--engine rear mounting	1
	TM170117-01045	right bracket--engine rear mounting	1
	Q150B1425	Bolt	6
	Q40314	Washer	6
26	TM170101-01050	Engine rear mounting cushion assy	1



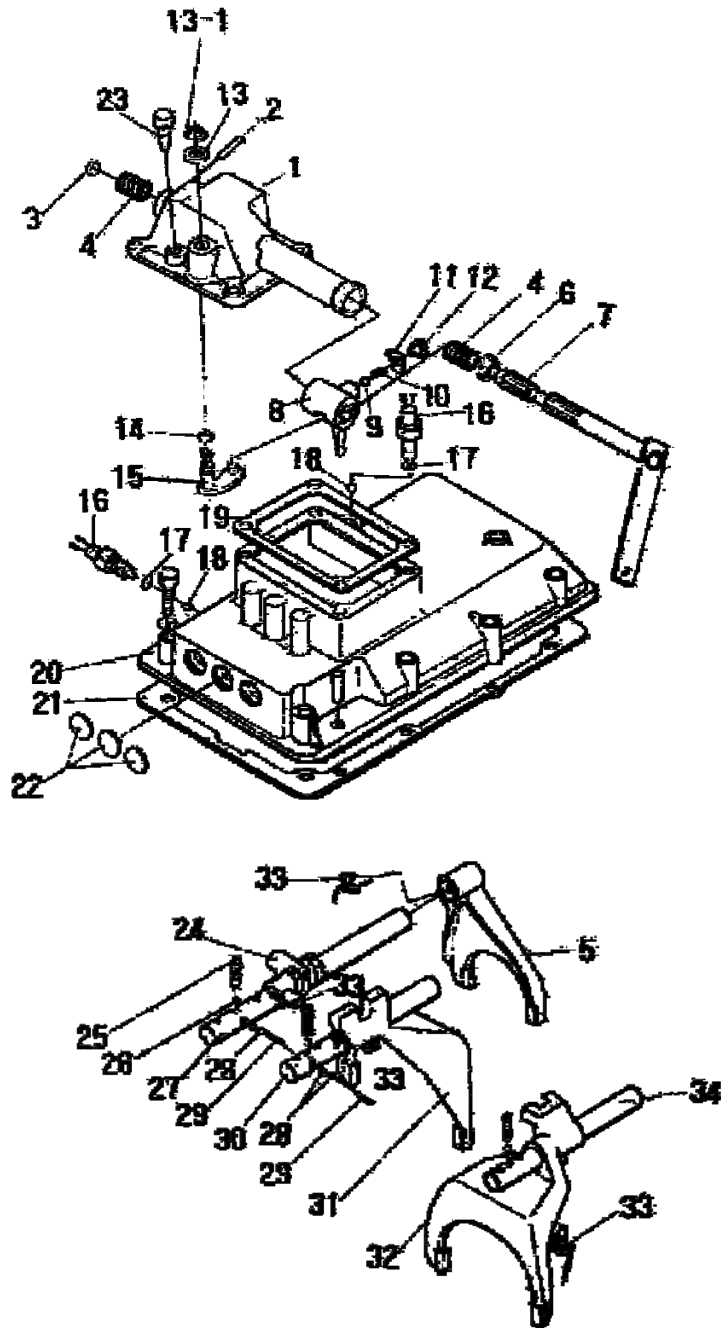
TM1702 Transmission Countershaft, Reverse Gear Shaft and Gear

NO.	PART NO.	PART NAME & DESCRIPTION	QTY.
1	Z*42307	Counter shaft front bearing	1
2	Q43145	Block ring	1
3	TM17021-056-B	Counter shaft constant mesh gear	1
4	TM17025-064	Counter shaft 4th gear spacer	1
5	TM17025-063	Counter shaft 4th gear lock ring	2
6	TM17021-053	Counter shaft 4th gear	1
7	TM1702-051	Counter shaft 3rd gear	1
8	TM1702-049	Counter shaft 2nd gear	1
9	Q5501032	Key	3
10	TM1702-048	Transmission counter shaft	1
11	Z*192308	Bearing	1
12	Q43390	Block ring	1
13	TM1702-073-B	Lock spacer--nut	1
14	TM1702-074-B	Nut	1
15	TM1702-084	Reverse gear thrust outlet spacer	2
16	TM1702-083	Reverse gear thrust inner spacer	2
17	Z*9248/30	Needle bearing	2
18	TM1702-081	Spacer ring--reverse gear needle bearing	1
19	TM1702.6B1-082	Reverse gear	1
20	TM1702-092	Reverse gear shaft	1



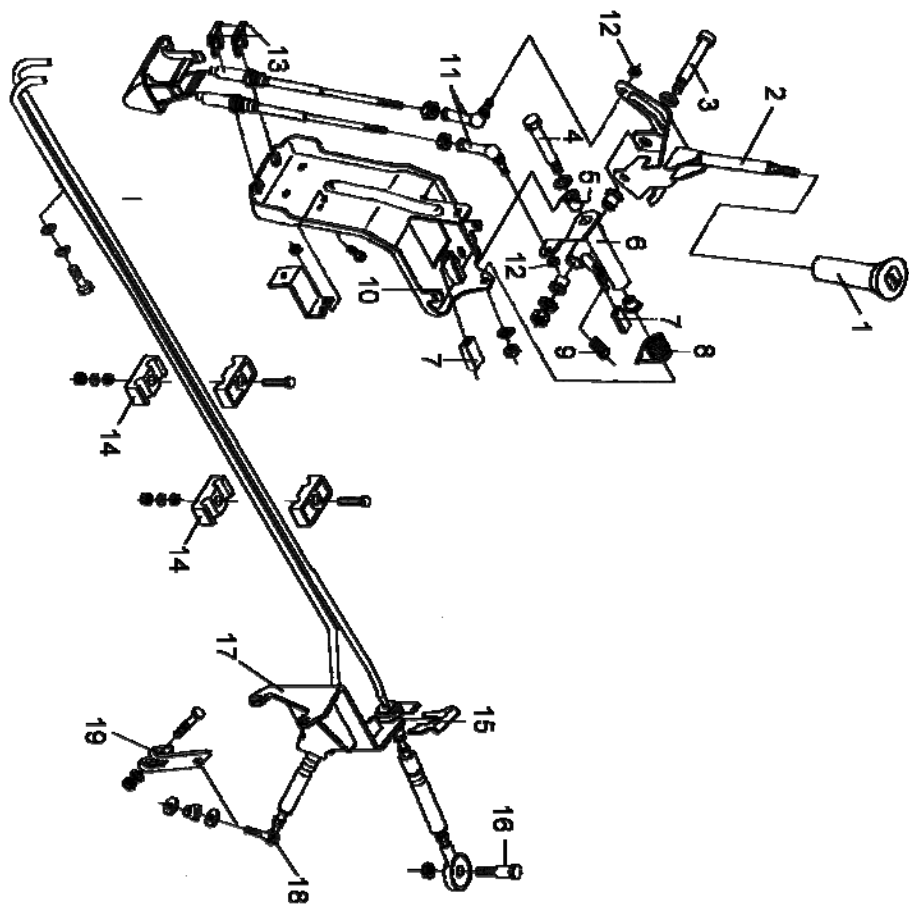
TM1703		Transmission Output Shaft and Gear	
NO.	PART NO.	PART NAME & DESCRIPTION	QTY
1	TM1703-138	4th,5th synchronizer taper tray	2
2	TM1703-140	4th,5th synchronizer taper ring assy	1
3	TM1703-141	4th,5th synchronizer taper ring	2
4	TM1703-142	4th,5th synchronizer lock pin	3
5	TM1703-125	Synchronizer positioning dowel	6
6	Q966065	Steel ball	6
7	TM1703-129	Lock pin spring	6
8	TM1703-137	4th.5th gear slide gear sheath	1
9	TM1703-107	Fixed gear seat lock ring	1
10	TM1703-108	Fixed gear seat stop ring	1
11	TM1703-136	4th, 5th gear fixed gear seat	1
12	TM1703.6B-134	4th gear shaft cover	1
13	TM1703.6B1-135	5th gear	1
14	Z*9249/43	4th gear needle bearing	4
15	TM1703-139	4th gear thrust ring	1
16	TM1703.6B1-131	3rd gear	1
17	Z*9249/54	3th gear needle bearing	2
18	TM1703-121	3rd synchronizer taper tray	1
19	TM1703-120	2nd,3rd synchronizer taper tray assy	1
20	TM1703-122	2nd,3rd synchronizer taper tray	2

TM1703		Transmission Output Shaft and Gear	
NO.	PART NO.	PART NAME & DESCRIPTION	QTY
21	TM1703-123	2nd,3rd gear synchronizer lock pin	3
22	TM1703-124	2nd,3rd gear slip gear sheat	1
23	TM1703-105	Output shaft	1
24	TM1703-127	2nd gear	1
25	Z*9348/55K	2nd gear needle bearing	2
26	TM1703-114	Ring	1
27	TM1703-113	1st gear thrust ring	2
28	TM1703-112	1st gear	1
29	Z*9249/62	1st gear needle bearing	2
30	TM1703-117	1st,reverse gear slide gear sheath	2
31	TM1703-115	1st,reverse gear fixed gear seat	1
32	TM1703-183	Reverse gear shaft cover	1
33	TM1703.6B1-182	Reverse driven gear	1
34	TM1703-184	Output shaft rear thrust ring	1
35	Z*192309	Output shaft rear needle bearing	1
36	TM170360-522	Odometer driven gear	1
37	Q433100	Steel cable baffle ring for shaft	1
38	TM170360-521	Odometer drive gear	1
39	TM1703-338	Spacer ring	1
40	TM1703-169	Butterfly spring	4



TM1704		Top Cover and Upper Cover	
NO.	PART NO.	PART NAME & DESCRIPTION	QTY
1	TM1704BY-302	Top cover with gasket assy	1
	Q41810	Washer	4
	Q150B1025-J0	Bolt	4
2	TM1704-328	Cylinder pin	1
3	TM1704-303	Plug	1
4	TM17041-327	Gear select balance spring	2
5	TM1704K-252	1st,reverse gear	1
6	TM1704-308	control shaft qil seal	1
7	TM170401-320	Control shaft and Shift rocker shaft	1
8	TM17041-311	Gear shift lever	1
9	Q966095	Steel ball	1
10	TM17041-313	Reverse gear damping spring	1
11	TM1704-314	Spring seat lock shim	1
12	TM1704-312	Reverse gear damping spring seat	1
13	TM1704-334	Washer	1
13-1	Q43117	Steel cable baffle ring for shaft	1
14	TM1704-331	O ring	1
15	TM17041-330	Shift rocker assy	1
16	TM1704-470	Reverse gear switch	2
17	TM1704-471	Washer	2

TM1704		Top Cover and Upper Cover	
NO.	PART NO.	PART NAME & DESCRIPTION	QTY
18	Q966100	Lock steel ball	6
19	TM1704-204	Top cover spacer assy	1
20	TM1704BY-215	Upper cover	1
21	TM1704-214	Upper cover spacer	1
22	Q72126	Cup plug	3
	Q41810	Washer	8
	Q150B1055-J0	Bolt	8
23	TM1704-350-A	Ventilating plug assy	1
24	TM1704-253	Reverse gear link block	1
25	TM17041-291	Lock gearbox forks shaft spring	3
26	Q966111	Lock steel ball	3
27	TM1704.6B-251	Reverse gear forks shaft	1
28	Q966100	Lock steel ball	
29	TM1704-292	Cylinder pin	2
30	TM1704-261-A	2th,3th gearbox forks shaft	1
31	TM1704-262	2th,3th gearbox forks	1
32	TM1704-272	4th,5th gearbox forks	1
33	TM1704-254	Bolt--gearbox forks stop	4
	Q50512175	Steel wire lock line	2
	Q50512150	Steel wire lock line	2



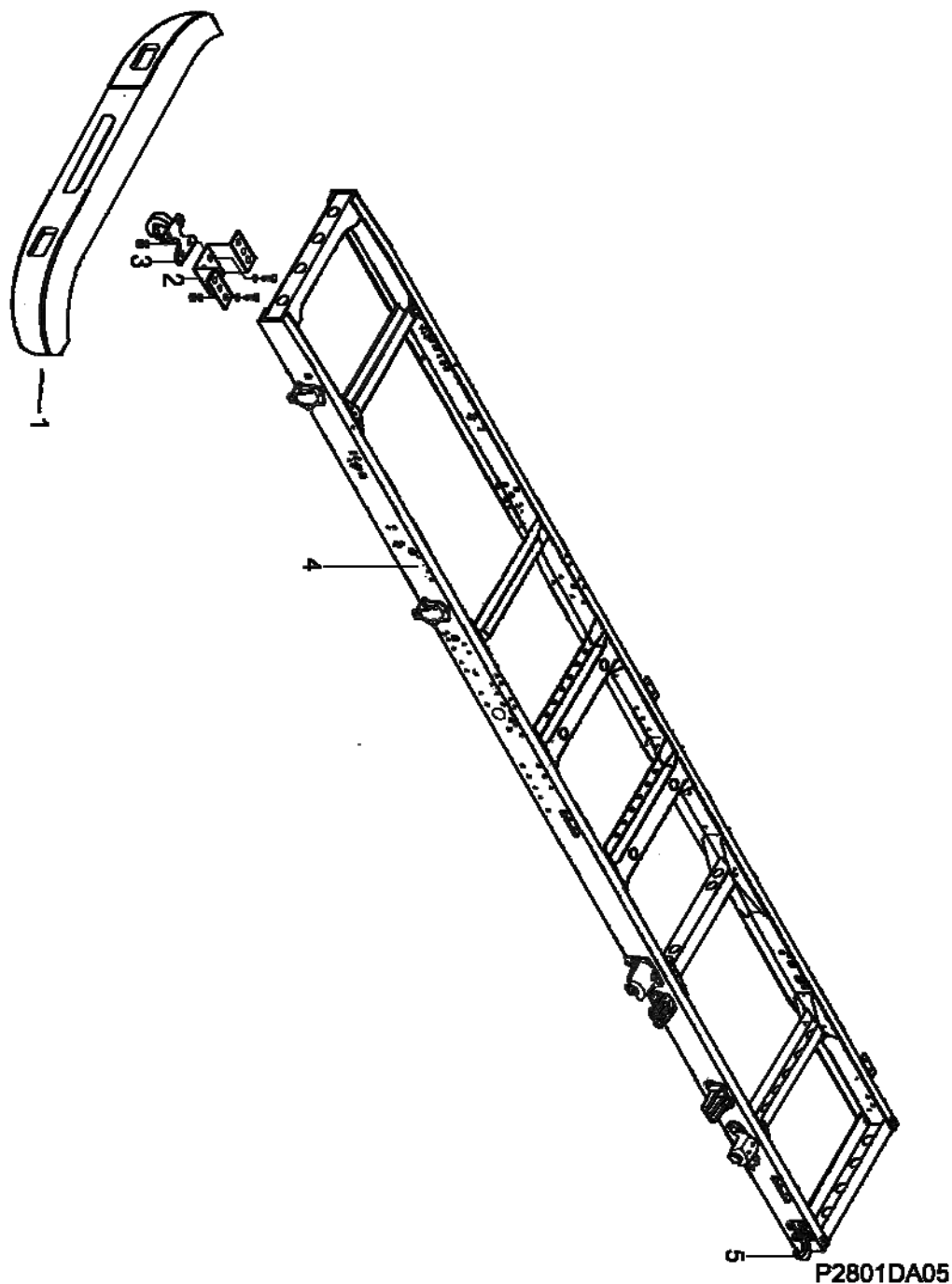
P1705DH33

TM1705		Transmission Controlling Mechanism	
NO.	PART NO.	PART NAME & DESCRIPTION	QTY
1	TM1705N1-03080	Transmission controlling knob assy	1
	TM1705B03-03025	Controlling organ assy(including 2~12)	1
2	TM170550-03026	Controlling lever assy	1
3	TM1705A-03032	Gear shift rocker arm shaft	1
4	TM1705A-03036	Gear select rocker arm shaft	1
	Q340B10	Type I hex nut	2
	Q40310	Spring washer	2
5	35QA-04019	Gasket--pedal assy	4
6	TM1705A-03040	Gear select rocker arm and cover set	1
	TM1705A-03033	Gear shift rocker arm shaft cover	1
	TM1705A-03037	Gear select rocker arm shaft cover	1
	TM1705A-03038	Limit pole	1
	TM1705A-03039	Gear select rocker arm	1
	TM1705A-03051	Torsion spring bearing spacer	1
7	TM1705A-03053	Jacket	2
8	TM1705A-03052-C	Gear select return spring	1
9	TM1705A-03034	Cushion cover	1
10	TM1705A-03045	Flexible shaft and rocker arm shaft bracket set	1
	TM1705A-03046	Flexible shaft and rocker arm shaft bracket	1
	TM1705A-03054	Mounting plate	1

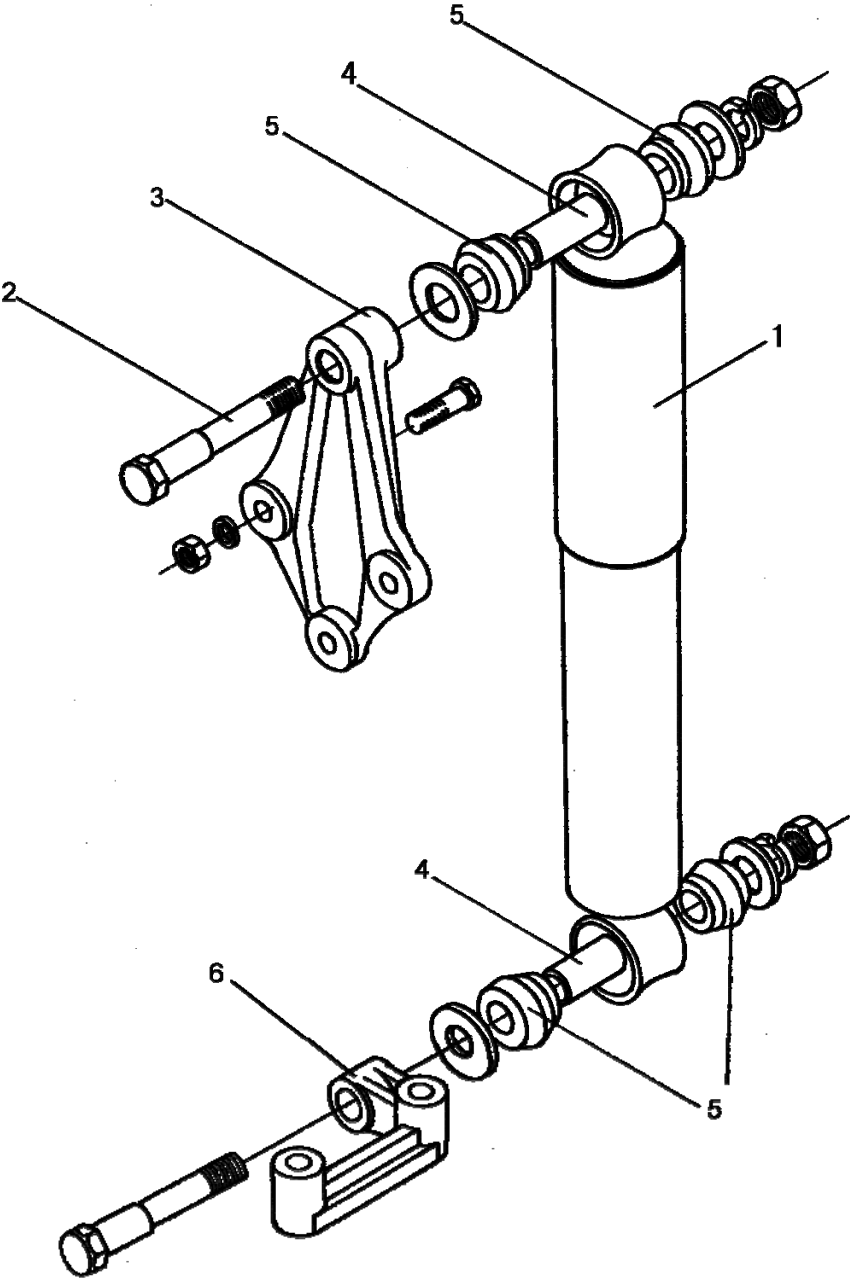
TM1705		Transmission Controlling Mechanism	
NO.	PART NO.	PART NAME & DESCRIPTION	QTY
11	TM1705H01-03060	Gear shift and select flexible with spherical joint assy	1
	TM1705A-03100	Spherical joint assy	2
	TM1705H01-03065	Gear shift and select flexible assy	1
	Q350B08	Hex nut	2
12	Q33408	All metal lock nut	2
13	TM1705A-03059-A	Flexible cable card	2
14	35D-06801	Dual pipe clip upper bracket	4
	35V65A-06519	Defending line	3
	Q150B0860	Bolt	2
	Q40108	Plain washer	2
	Q40308	Spring washer	2
	Q340B08	Type I hex nut	2
15	TM1705F18-03124	Gear select flexible shaft card	1
	TM1705A-03123	Gear shift flexible shaft card	1
16	TM17051-03121	Pin	1
	Q33510	All metal lock nut	1
17	TM1705M01-03125	Flexible shaft bracket assy	1
18	TM1705A-03122	Needle pin	1
	TM1705A-03222	Gasket	1
	Q40108	Plain washer	2

5. FRAME & SUSPENSION

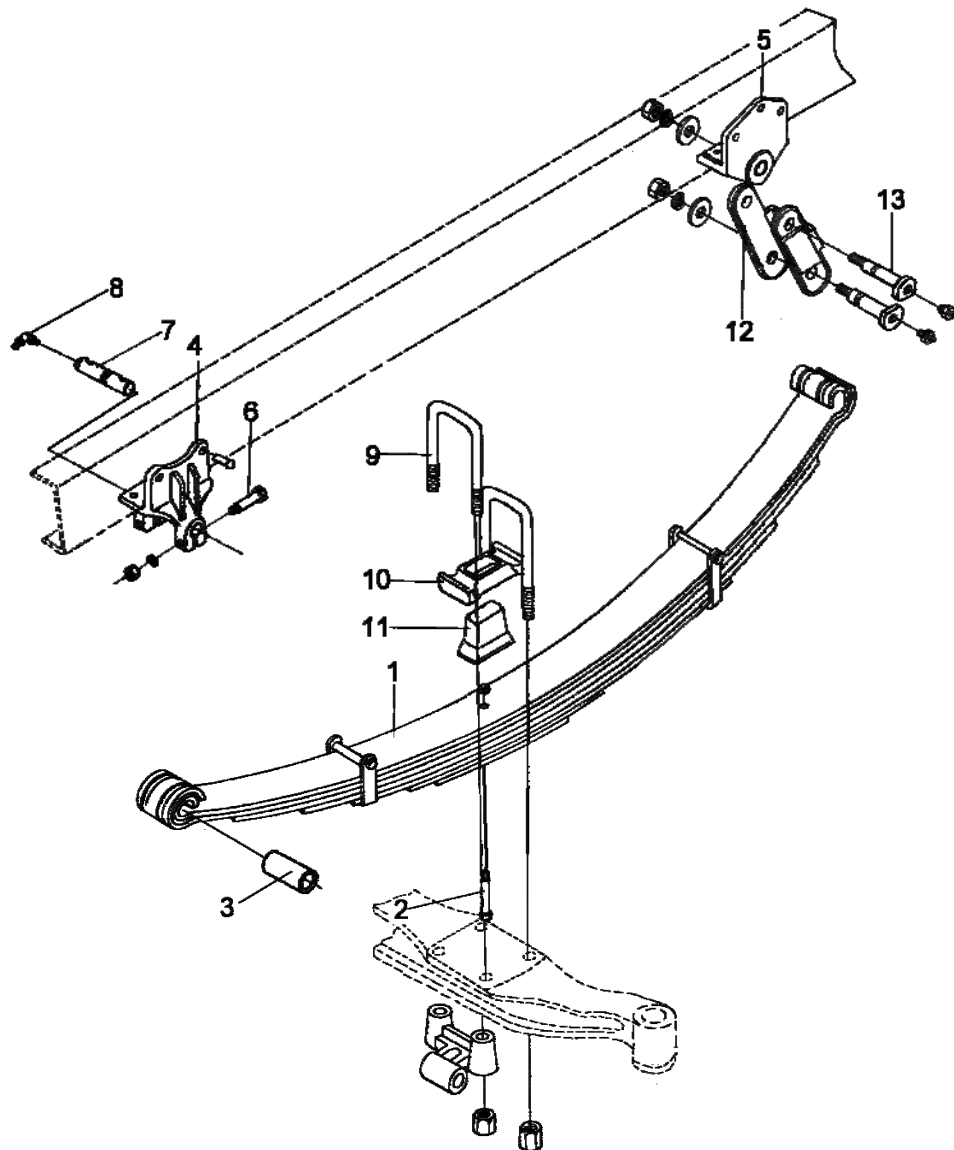
FS2801 Chassis Frame.....	5-2
FS2901 Front Shock Absorber Assy	5-5
FS2902 Front Suspension.....	5-7
FS2903 Rear Suspension	5-11



FS2801		Chassis Frame	
NO.	PART NO.	PART NAME & DESCRIPTION	QTY
1	FS2801-03009	Front bumper assy	1
	FS2801J02-03041	Front bumper left bracket	1
	FS2801J02-03042	Front bumper right bracket	1
	Q1841025	Bolt	8
	Q32010	Bolt	8
	Q340B10	Type I hex nut	4
	Q40210	Big washer	4
	Q40310	Spring washer	4
	RQ39705	Nut	2
2	FS2801J02-05110	Left bracket assy	1
	FS2801J02-05120	Right bracket assy	1
	Q150B1230	Bolt	2
	Q340B12	Type I hex nut	2
	Q40312	Spring washer	2
3	FS2801-06016	Front	2
	Q151B1235	Bolt towing hook assy	8
	Q34B12	Type I hex nut	8
	Q40312	Spring washer	8
4	FS2801-DJ10	Frame and bracket assy	1
5	FS2801-05011	Towing hook	1



FS2901		Front Shock Absorber Assy	
NO.	PART NO.	PART NAME & DESCRIPTION	QTY
1	FS2901Q01-010	Shock absorber assy	1
	FS29Q02-010	Shock absorber assy	1
2	FS29-01271	Shock absorber pin	2
	Q40316	Spring washer	2
	Q341B16	Type I hex nut	2
3	29Q01-01267	Shock absorber upper bracket	2
	Q150B1035	Bolt	6
	Q340B10	Type I hex nut	6
	Q40310	Spring washer	6
4	29C-01273	Shock absorber pin cover	4
5	29C-01272	Rubber bush	8
6	FS2901-02117	Shock absorber left lower bracket--rear suspension	1
	FS2901-02118	Shock absorber right lower bracket--rear suspension	1
	FS2901-02119-A	Shock absorber lower pin--rear suspension	2
	FS2901-01276	Plain washer	4
	Q341B16	Type I hex nut	2
	Q40316	Spring washer	2



FS2902

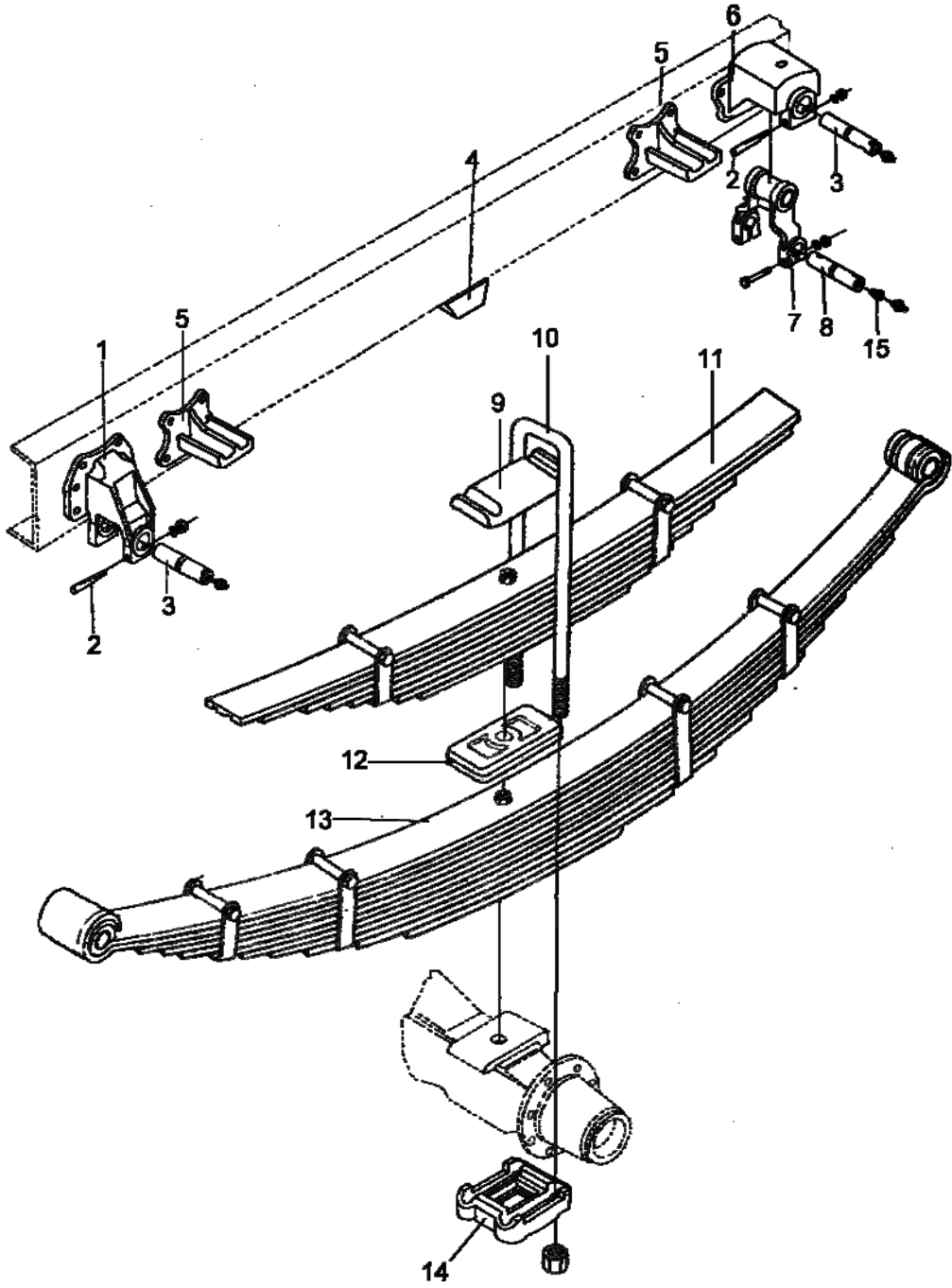
Front Suspension

NO.	PART NO.	PART NAME & DESCRIPTION	QTY
1	FS2902J02-010	Front leaf spring assy	2
	FS2902-107	Clamping collar sleeve	4
	FS2902J02-020	1st spring leaf with lining assy	2
	FS2902J02-021	1st spring leaf	2
	FS2902J02-023	2nd spring leaf	2
	FS2902J02-025	3rd spring leaf	2
	FS2902J02-030	4th spring leaf with clamping collar assy	1
	FS2902J02-031	4th spring leaf	1
	2913Q-032	Clamping collar	2
	Q4501017	Half round head rivet	2
	FS2902J02-033	5th spring leaf	2
	FS2902J02-040	6th spring leaf with clamping collar assy	1
	FS2902J02-041	6th spring leaf	1
	2913Q-042	Clamping collar	2
	Q4501017	Half round head rivet	2
	FS2902J02-043	7th spring leaf	2
	FS2902J02-045	8th spring leaf	1
2	FS2902J02Q-106	Center bolt	2
3	2913Q-022	Bush	4
4	29Q76-01249	Fasten end bracket	2

FS2902

Front Suspension

NO.	PART NO.	PART NAME & DESCRIPTION	QTY.
	Q4501238	Half round head rivet	10
5	29Q76-01255	Hanger end bracket	2
	Q4501038	Half round head rivet	10
6	29Q01-01254	Spring pin positioning bolt	4
	Q341B10	Type I hex nut	4
	Q40310	Spring washer	4
7	29Q01-01252	Leaf spring pin	4
8	Q701B45	Bend grease nozzle	4
9	29Q55-01131	U bolt--front suspension	2
	29Q07-01132-B	U bolt(Rear end)-front suspension	2
	Q363B16	Hex thick nut	8
10	29Q01-01105-B	Cover board	2
11	29Q01-01106-B	Limit block	2
	29DB-02123	Positioning pin cover	2
12	29Q01-01285	Shackle(left)	2
	29Q01-01286	Shackle(right)	2
13	29Q01-01262	Lifting ear pin	4
	Q341B16	Nut	4
	Q40116	Washer	4
	Q40316	Washer, spring	4



FS2904

Rear Suspension

NO.	PART NO.	PART NAME & DESCRIPTION	QTY
1	29Q01-02249-B	Fasten end bracket	1
	Q4501238	Half round head rivet	12
2	29Q01-02257-A	Wedge lock pin	4
	Q40312	Spring washer	4
	Q340B12	Type I hex nut	4
3	29Q01-02252	Leaf spring pin	4
	Q700B01	Straight grease nozzle	6
4	29V66-04205	Limit block assy	2
	29V56A-04207	Limit gasket	4
	Q151B1295	Bolt	4
	Q40312	Spring washer	4
	Q340B12	Type I hex nut	4
5	29Q01-02278-B	Assist leaf spring bracket(Front end)	2
	29Q01-02279	Assist leaf spring bracket(Rear end)	2
	Q4501242	Half round head rivet	16
6	29Q01-02259-B	Hanger end bracket	2
	Q4501038	Half round head rivet	8
7	29Q01-02285-A	Hanger with bush assy	2
	29Q01-02286-A	Hanger--rear suspension	2
	29Q01-02287	Hanger bush--rear suspension	2

FS2904

Rear Suspension

NO.	PART NO.	PART NAME & DESCRIPTION	QTY.
8	29Q01-02253	Leaf spring pin--rear suspension hanger end	2
9	29Q01-02105	Cover board	2
10	29Q17-02131	U bolt	2
	29Q17-02132	U bolt	2
	Q363B20	Hex thick nut	8
11	2914Q68-010	Assist leaf spring assy	2
	2912C-107	Clamping collar sleeve	2
	2912Q-106	Center bolt	2
	2914Q-021-B	1st sprng leaf	2
	2914Q-023-B	2nd spring leaf	2
	2914Q-031-B	3rd spring leaf	2
	2914Q68-030	4th spring leaf with clamping collar assy	2
	2914Q-033-B	4th spring leaf	2
	2912D-032	Clamping collar	4
	Q4501016	Half round head rivet	4
	2914Q-035-B	5th spring leaf	2
	Q150B1095	Bolt	2
	Q340B10	Type I hex nut	2
	Q341B12	Type I hex nut	1
12	29Q01-02109-B	Back plate--assist leaf spring	2

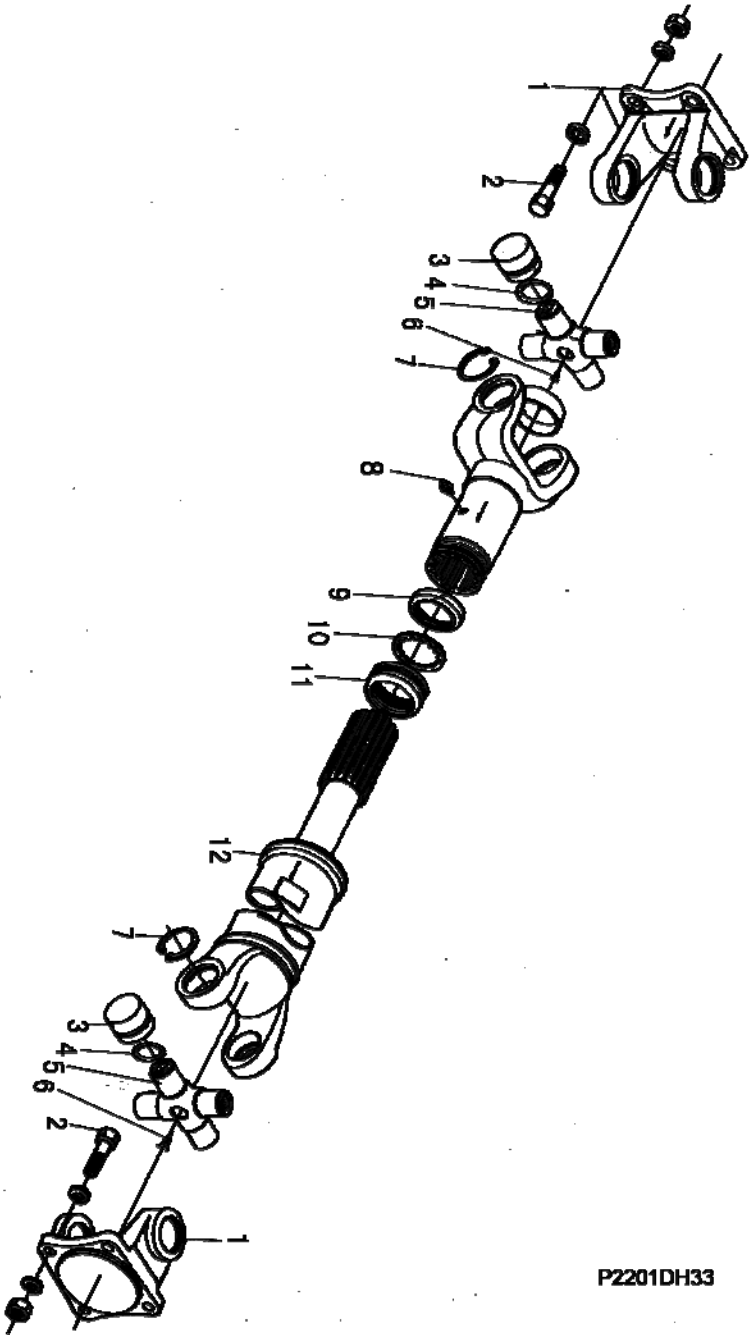
FS2904

Rear Suspension

NO.	PART NO.	PART NAME & DESCRIPTION	QTY.
13	2913Q17-010	Rear leaf spring assy	2
	2912C-107	Clamping collar sleeve	4
	2913Q-106	Center bolt--leaf spring	2
	2913Q17-020	1st spring leaf with lining assy	2
	2913Q17-021	1st spring leaf	2
	2913Q-022	Lining	4
	2913Q17-023	2nd spring leaf	2
	2913Q-025	3rd spring leaf	2
	2913Q17-030	4th spring leaf with clamping collar assy	2
	2913DA01-032	Clamping collar	4
	2913Q-031	4th spring leaf	2
	Q4501218	Half round head rivet	2
	2913Q-033	5th spring leaf	2
	2913Q17-040	6th spring leaf with clamping collar assy	2
	2913C-042	Clamping collar	4
	2913Q-041	6th spring leaf	2
	2913Q-043	7th spring leaf	2
	2913Q-045	8th spring leaf	2
	Q150B1095	Bolt	4
	Q340B10	Type I hex nut	4

6. PROPELLER SHAFT

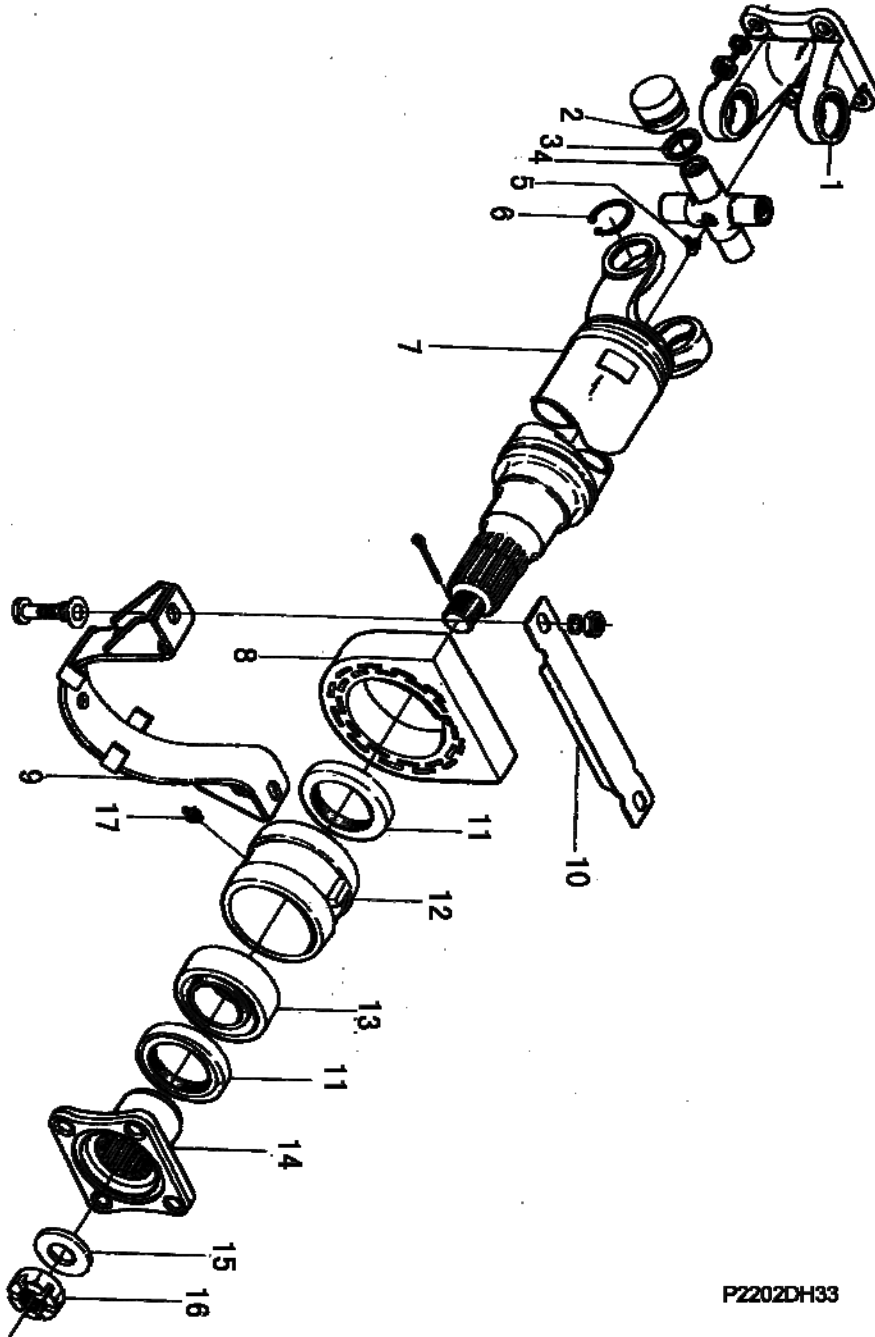
PS2201 Propeller Shaft and Slip Yoke	6-2
PS2202 Intermediate Propeller Shaft and Center Bearing	6-4



P2201DH33

PS2201			
Propeller Shaft and Slip Yoke			
NO.	PART NO.	PART NAME & DESCRIPTION	QTY
	2201D5-010	Propeller shaft and slip yoke assy	1
	2201B3-025	Slip yoke with cross shaft and flange fork assy	1
	2201D5-045	Propeller shaft with cross shaft assy	1
1	2201D-023-B	Flange fork	2
2	Q151B1438	Bolt	4
	22D-01222	Bolt	4
	Q341B14	I type hex nut	8
	Q40314	Spring washer	16
3	8047/25K	Cross shaft needle bearing	8
4	2201D5-032	Dustproof cover	4
5	2201D5-031	Cross shaft	2
	2201D5-030	Cross shaft assy	2
6	Q700B01	Grease fitting	2
7	2201C-026	Snap ring for holes	8
8	Q700B01	Grease fitting	1
9	2201D-061-B	Slip yoke oil seal	1
10	2201D-062	Oil seal spacer--slip yoke	1
11	2202C-011	Oil seal cover--slip yoke	1
12	2201D5-015	Propeller shaft assy	1

Intermediate Propeller Shaft and Center Bearing



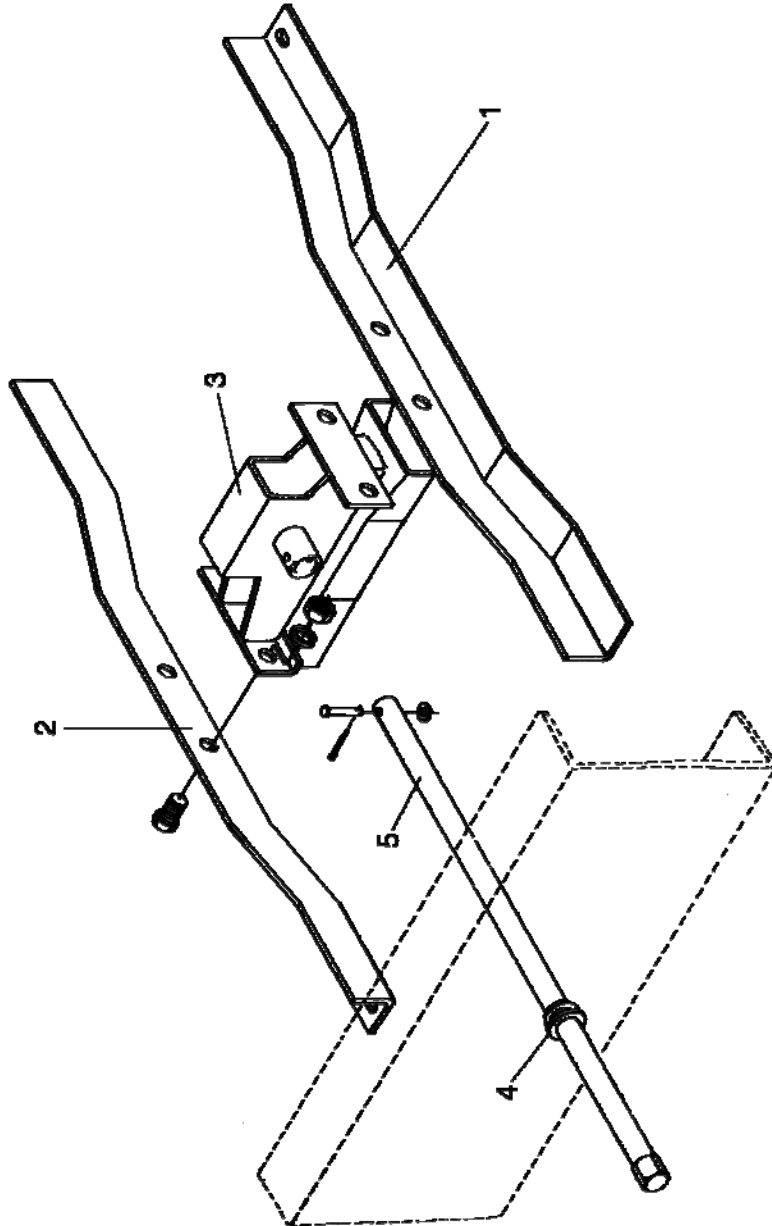
P2202DH33

PS2202			
Intermediate Propeller Shaft and Center Bearing			
NO.	PART NO.	PART NAME & DESCRIPTION	QTY.
	2202CB36-010	Intermediate propeller shaft and bracket assy	1
	2202CB36-045	Intermediate propeller shaft and universal joint assy	1
	2202D5-025	Flange fork with cross shaft and needle bearing assy	1
1	2201D-023-B	Flange fork	1
	Q341B14	I type hex nut	4
	Q40314	Spring washer	4
2	8047/25K	Cross shaft needle bearing assy	4
3	2201D5-032	Dust collar	4
4	2201D5-031	Cross shaft	1
	2201D5-030	Cross shaft assy	1
5	Q701B90	Grease elbow	1
6	2201C-026	Snap ring for holes	4
7	2202CB36-015	Intermediate propeller shaft assy	1
8	2202D-084-A	Washer--center bearing bearing seat	1
	2202D-080	Center bearing assy	1
9	22D-02220-A2	Center bearing bracket assy	1
	Q151B1438	Hex bolt	2
	Q341B14	I type hex nut	2
	Q40114	Plain washer	2
	Q40314	Spring washer	2

PS2202			
Intermediate Propeller Shaft and Center			
NO.	PART NO.	PART NAME & DESCRIPTION	QTY.
10	22D-02223-A	Upper cover board--center bearing	1
11	2202D-085	Oil seal--center bearing	2
12	2202D-081-B	Bearing seat--center bearing	1
13	3000210	Bearing--center bearing	1
14	2202D-092	Flange	1
15	2402D-071	Washer	1
16	2402D-072	Hex slotted flat nut	1
	Q500B0545	Cotter pin	1
17	Q700B01	Grease fitting	1

7. WHEEL & SPARE WHEEL CARRIER

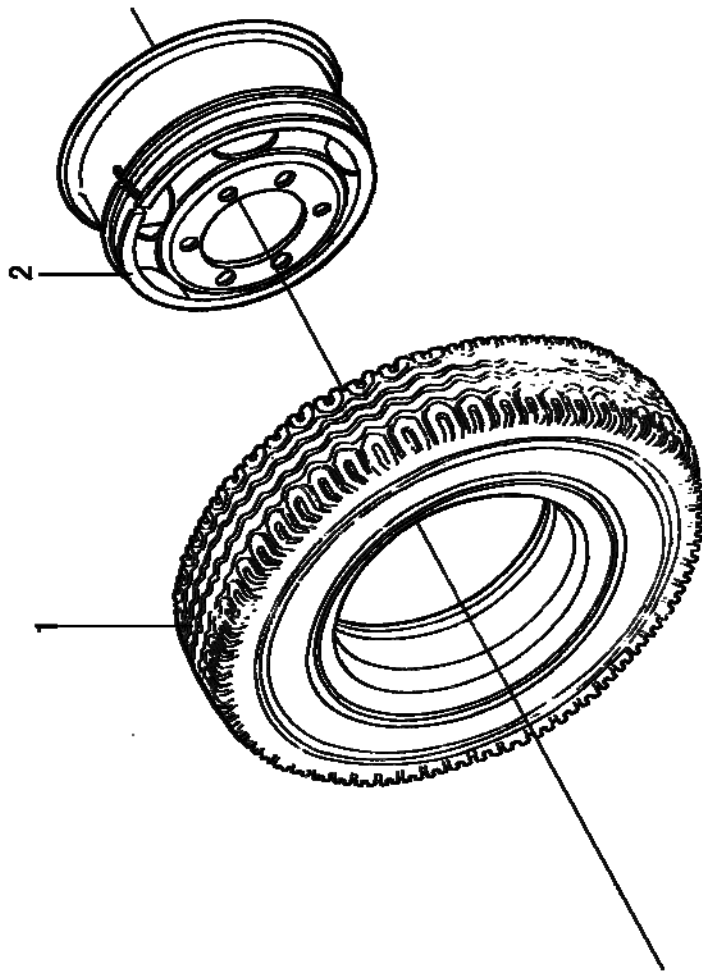
WS3101 Spare Wheel Carrier	7-2
WS3102 Wheel.....	7-4



WS3101

Spare Wheel Carrier

NO.	PART NO.	PART NAME & DESCRIPTION	QTY.
1	31Q05-05011	Front fixed girder	1
2	31Q05-05012	Rear fixed girder	1
	Q150B1022	Bolt	4
	Q40310	Spring washer	4
	Q40110	Plain washer	4
	Q350B10	Nut	4
3	31Q07-05010	Spare tyre riser assy	1
	Q150B1022	Bolt	4
	Q40310	Spring washer	4
	Q40110	Plain washer	4
	Q350B10	Nut	4
4	31DS5B-05046	Support	1
5	31N-05040	Rocker ass'y	1
	Q510B0840	Pin shaft	1
	Q500B3226	Split pin	1
	Q40108	Plain washer	1

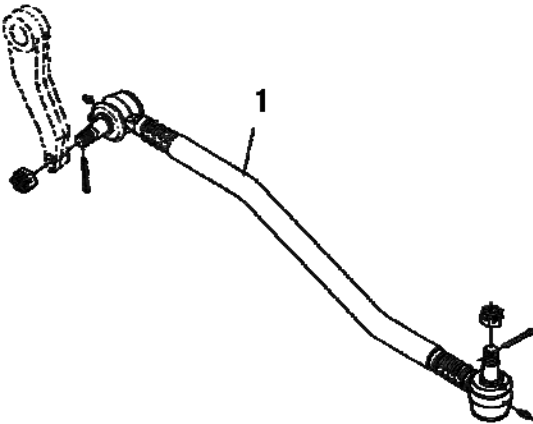


8. STEERING SYSTEM

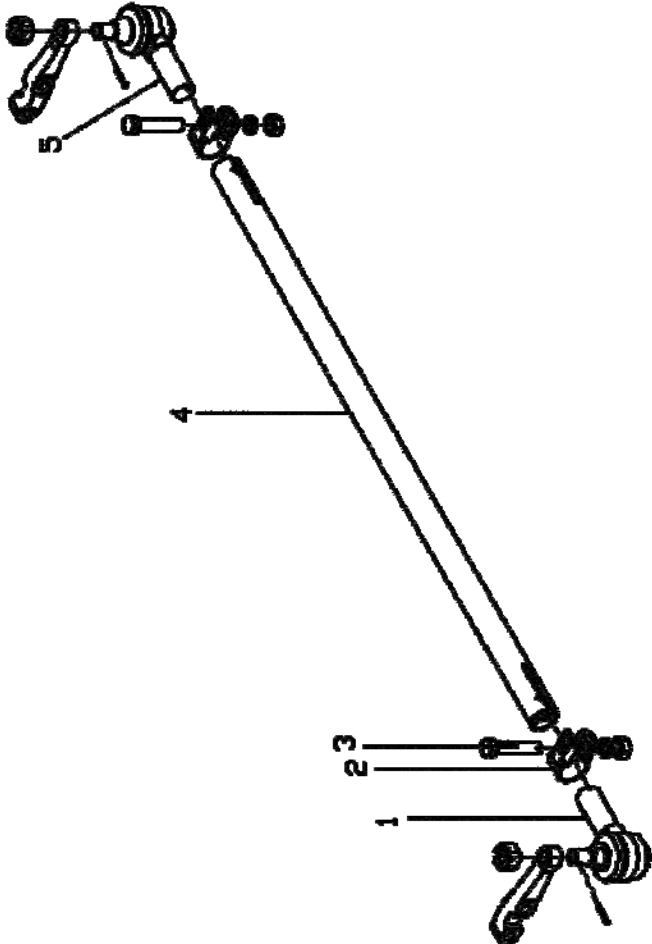
ST3301 Steering Draglink.....	8-2
ST3302 Steering Tie-rod.....	8-4
ST3401 Steering Drive Assy.....	8-6
ST3402 Steering Gear And Bracket	8-8
ST3403 Power Steering Pipeline(For DFA1063DJ10/14-302/303) ...	8-10

ST3301

Steering Draglink



P3301DA01



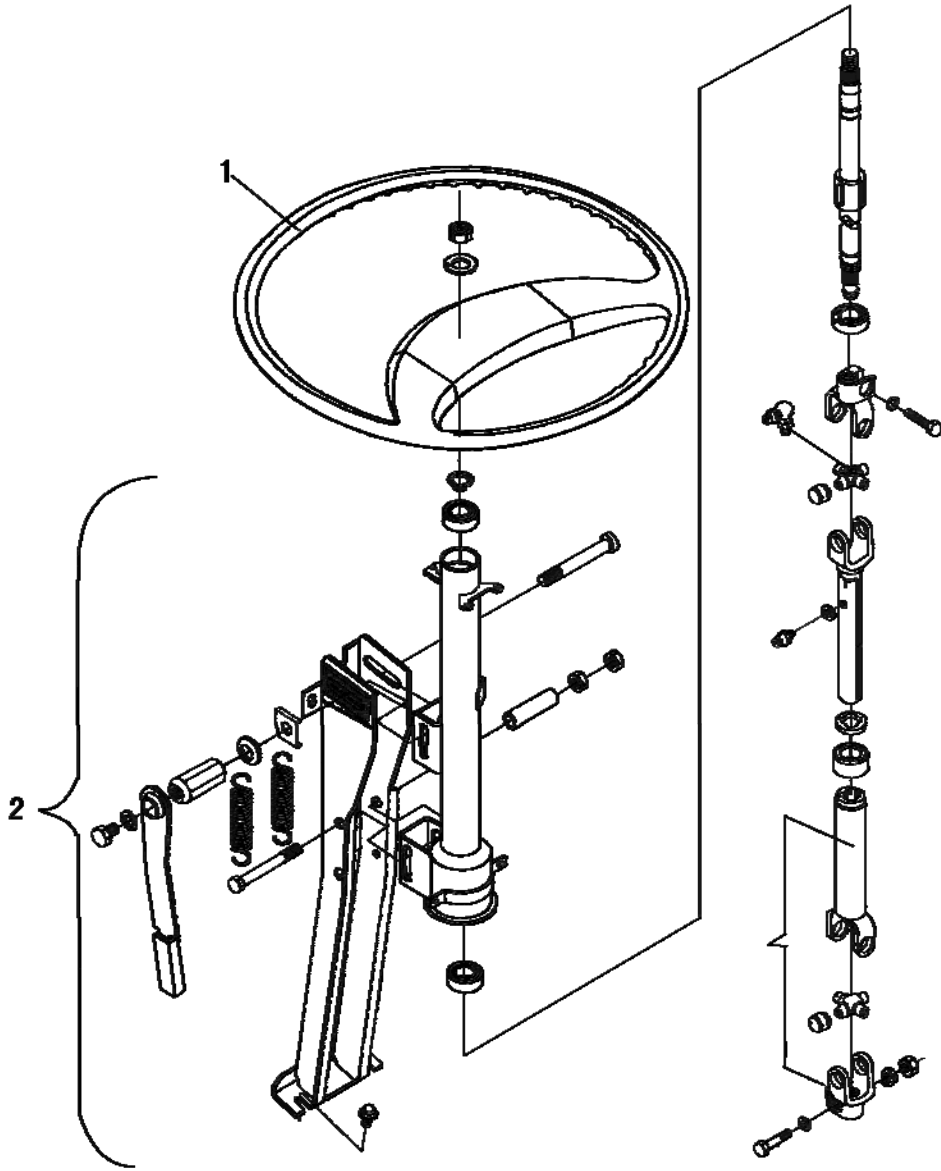
ST3302

Steering Tie-rod

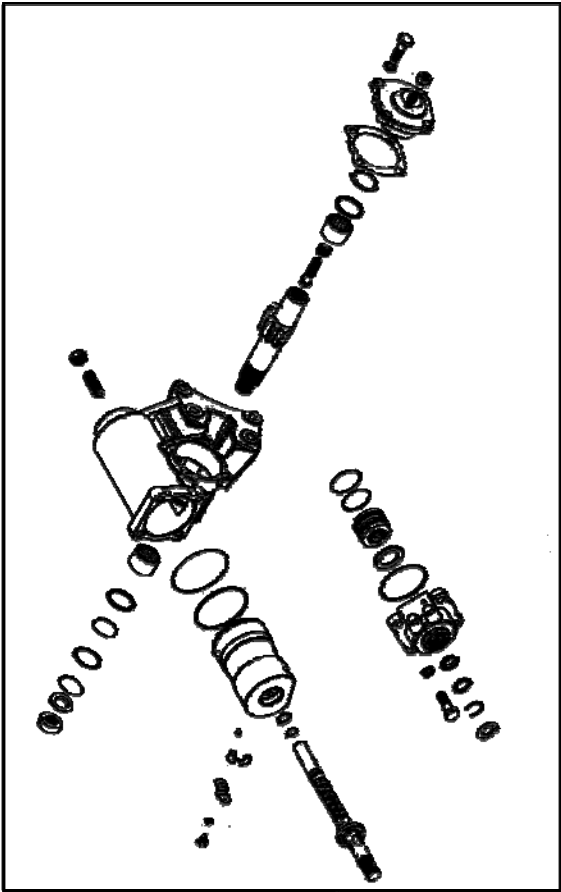
NO.	PART NO.	PART NAME & DESCRIPTION	QTY.
	ST3302-03050-A	Tie-rod assy	1
1	ST3302Q02-059	Tie-rod joint (left)	1
	Q700B06	Straight grease nozzle	2
	ST3302Q02-091	Nut	2
	Q500B0436	Split pin	2
2	ST3302-03054		2
3	Q341B14	Nut	2
	Q151B1460	Bolt	2
	Q40414	Light spring washer	2
4	ST3302-03052	Steering tie-rod	1
5	ST3302Q02-060	Tie-rod joint (right)	1

ST3401

Steering Drive Assy



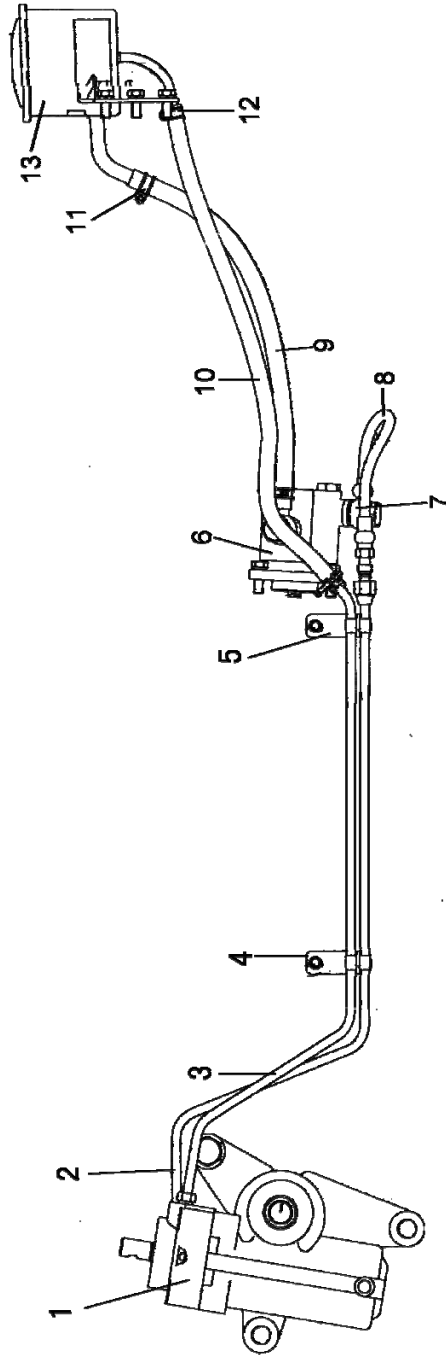
P3401DA01



ST3402

Steering Gear And Bracket

NO.	PART NO.	PART NAME & DESCRIPTION	QTY.
1	ST3402MA-010-B	Steering gear assy(For DFA1063DJ14-301)	1
	ST3402V75A-001	Steeringgearassy(For DFA1063DJ14-302/303)	1
	ST3402J02-00315	Steering gear bracket	1
	Q150B1235	Bolt	6
	Q150B1438	Bolt	2
	Q340B10	Nut	2
	Q340B12	Nut	2
	Q340B14	Nut	2
	Q40310	Spring washer	2
	Q40312	Spring washer	6
	Q40314	Spring washer	2



ST3403 Power Steering Pipeline(For DFA1063DJ10/14-302/303)

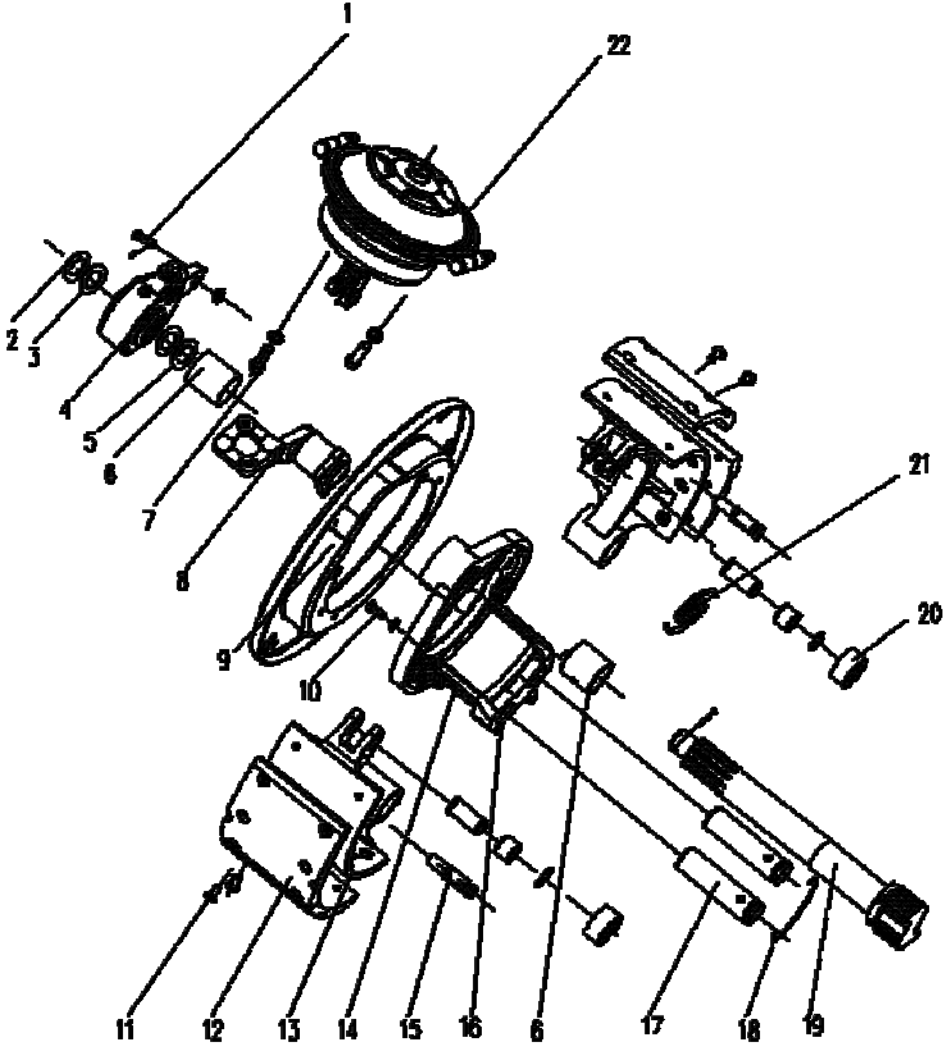
NO.	PART NO.	PART NAME & DESCRIPTION	QTY.
1	ST3403V75A-001	Steering gear assy	1
2	ST3403J13-06040-A	Steering gear oil inlet pipe assy	1
3	ST3403J13-06045-A	Steering gear oil return pipe assy	1
4	ST3403M01-05051	Oil pipe bracket	2
	Q150B0825	Bolt	2
	Q40108	Plain washer	2
	Q40308	Spring washer	2
	Q340B08	Typr I hex nut	2
5	35D-06801	Double pipe clip upper bracket	4
	Q150B0845	Bolt	2
	Q40108	Plain washer	2
	Q40308	Spring washer	2
	Q340B08	Typr I hex nut	2
6	ST3403V65-001	Power steering oil reservoir	1
7	ST3403-05014	Oil inlet pipe joint	1
	ST3403-05017	Seal washer	2
	ST3403-06014	Steering gear oil return pipe joint	1
8	ST3403H01-05030	High pressure hose assy	1
9	ST3403H02-06065	Rubber pipe--oil reservoir to oil pump(For B03)	1

9. BRAKE SYSTEM

BS3501 Front Brake Assembly.....	9-2
BS3502 Rear Brake Assembly	9-5
BS3503 Brake Line, Ininside Cab.....	9-9
BS3504 Frame Brake Line	9-13
BS3505 Air Tank Installation.....	9-22
BS3506 Brake Valve Control System	9-25
BS3507 Exhaust Brake System.....	9-28

BS3501

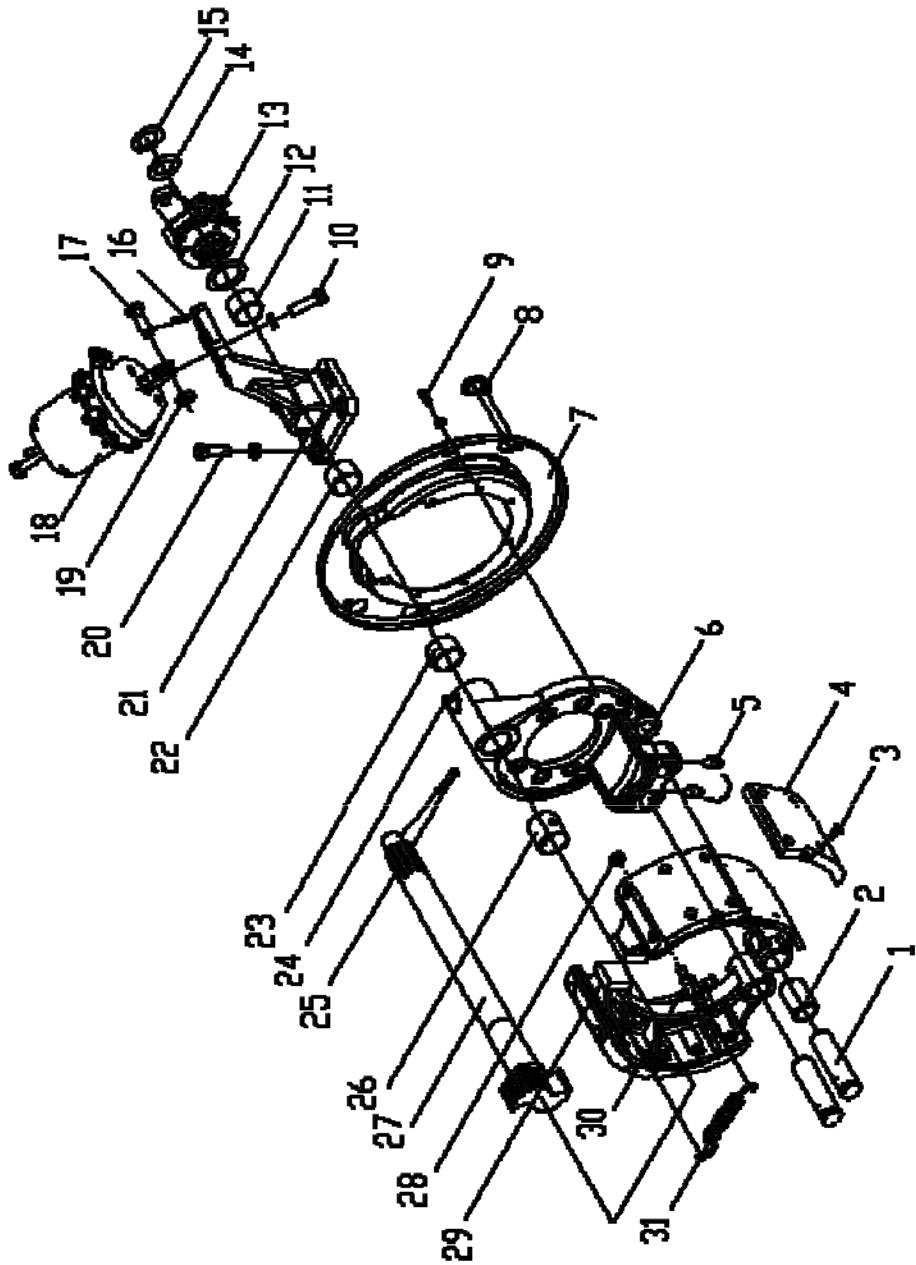
Front Brake Assembly



P3501DJ10

BS3501			
Front Brake Assembly			
NO.	PART NO.	PART NAME & DESCRIPTION	QTY.
	BS3501J01-010	Front left brake assy.	1
	BS3501J01-020	Front right brake assy.	1
1	Q510B1240	Pin shaft	2
	Q40112	Washer	2
	Q5004024	Split pin	2
2	3501C-046	Adjusting washer	2
3	35D-02047	Adjusting washer	
4	3501D-050-A	Front adjusting arm assy	2
5	35E-01034	O seal ring	4
	3501C-044	Adjusting washer	2
6	35E-01039	Gasket--front bracket	4
7	Q150B1240	Bolt	8
	Q40312	Spring washer	8
	Q700B01	Grease nipple	4
8	BS3501Q54-032	Front brake chamber left bracket	1
	BS3501Q54-033	Front brake chamber right bracket	1
9	BS3501Q54-051	Front dust proof	2
	BS3501Q68-01038	Rubber tap	8
10	Q150B0610	Bolt	14
	Q40306	Spring washer	14

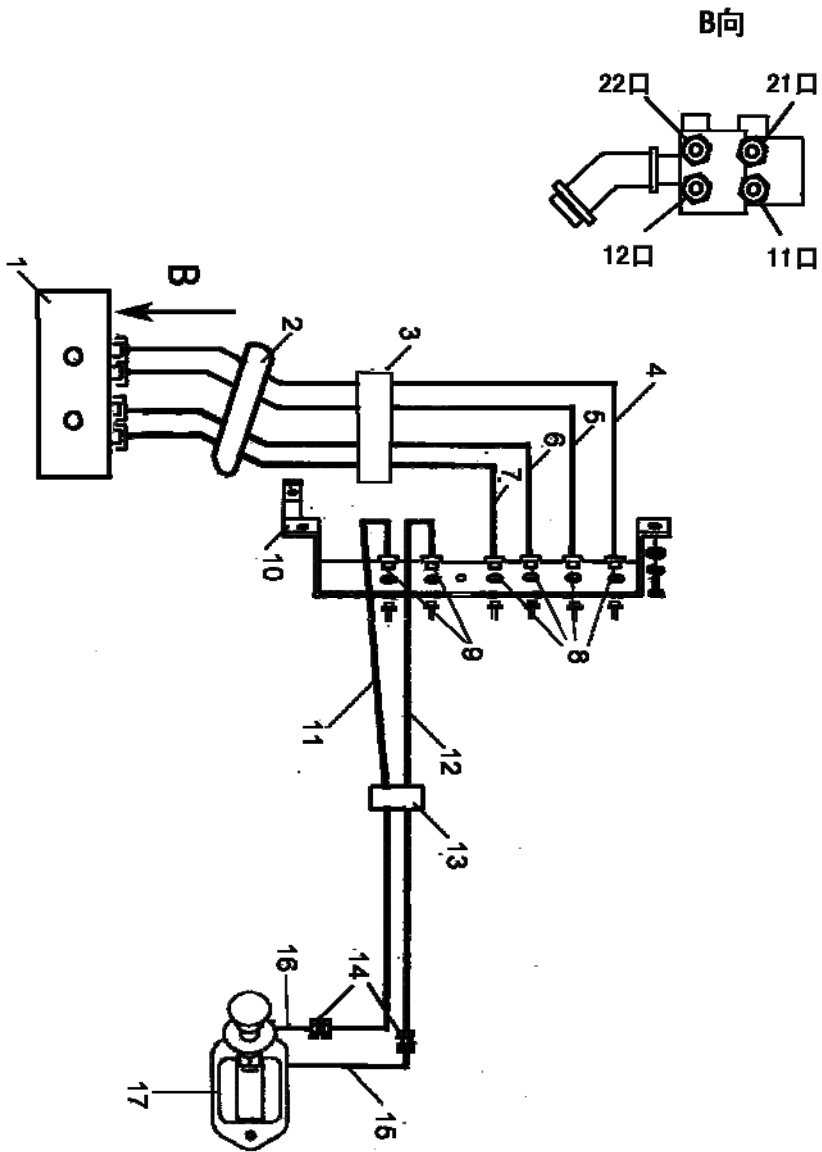
BS3501			
Front Brake Assembly			
NO.	PART NO.	PART NAME & DESCRIPTION	QTY.
11	3501.80G-082	Rivet	48
12	BS3501Q54-105	Front braking plate friction lining	8
13	3501.61G-085	Brake shoe	4
14	BS3501Q54-026	Front brake bottom board	2
15	3501.61G-108	Spring pin	4
	Q341B10	Nut	4
16	3501.80Q2-134	Screw--fasten shoe shaft	4
17	BS3501Q54-052	Shoe shaft --front brake	4
	BS3501Q54-093	Gasket--front braking shoe shaft	4
18	Q50512200	Steel wire lock line	2
19	BS3501Q54-041	Front left brake cam	1
	BS3501Q54-042	Front right brake cam	1
	Q5006345	Split pin	2
20	3501.61G-110	Roller	4
	3501.80GB-033F	Gasket--roller	4
	Q43119	Shaft detachable spring flange	4
21	3501.61G-095	Return spring	2
22	BS3501-010-A	Front air chamber assy	2



P3502DJ10

BS3502			
Rear Brake Assembly			
NO.	PART NO.	PART NAME & DESCRIPTION	QTY.
	3502.32Q62-010	Rear left brake assy	1
	3502.32Q62-020	Rear right brake assy	1
1	BS3502Q54-052	Shoe shaft --front brake	4
2	BS3502Q54-093	Gasket--front braking shoe shaft	4
3	3501.80G-082	Rivet	24
4	3501.80G-082	Ear braking plate friction lining	4
5	3501.80G-082	Screw--fasten shoe shaft	4
	Q50512200	Steel wire lock line	2
6	BS3502Q54-025	Rear braking bottom floor and bush assy	2
	BS3502Q54-026	Rear braking bottom floor	2
7	BS3502Q54-051	Rear boot	2
8	35Q68-01038	Rubber tap	8
9	Q150B0610	Bolt	14
	Q40306	Spring washer	14
10	Q150B1240	Bolt	4
	Q40312	Spring washer	4
11	35D-02039	Bush--rear bracket	2
12	3501C-044	Adjusting washer	2
13	35D-02050-A	Rear adjusting arm assy	2
14	3501C-046	Braking cam washer	2

BS3502			
Rear Brake Assembly			
NO.	PART NO.	PART NAME & DESCRIPTION	QTY.
15	35D-02047	Adjusting washer	2
16	Q5004024	Split pin	2
17	Q510B1240	Pin shaft	2
18	BS3502V50A-002	Right spring brake air chamber	2
	BS3502V50A-001	Left spring brake air chamber	2
19	Q40112	Plain washer	2
20	Q150B1235-OH1	Bolt	8
	Q40312	Spring washer	8
21	35.80G-02132	Left spring brake air chamber bracket	1
	35.80G-02133	Right spring brake air chamber bracket	1
	Q700B01	Grease nozzle	1
22	35D-02039	Bush--rear bracket	2
23	35D-02039	Bush--rear bracket	2
24	Q700B01	Grease nozzle	2
25	Q5006336	Split pin	2
26	35E-01039	Bush	2
27	BS3502Q54-041	Camshaft--rear left brake	1
	BS3502Q54-042	Camshaft--rear right brake	1
28	Q341B10	Nut	2
29	BS3502Q56-101	Rear brake shoe	4



P3503DP01

BS3503

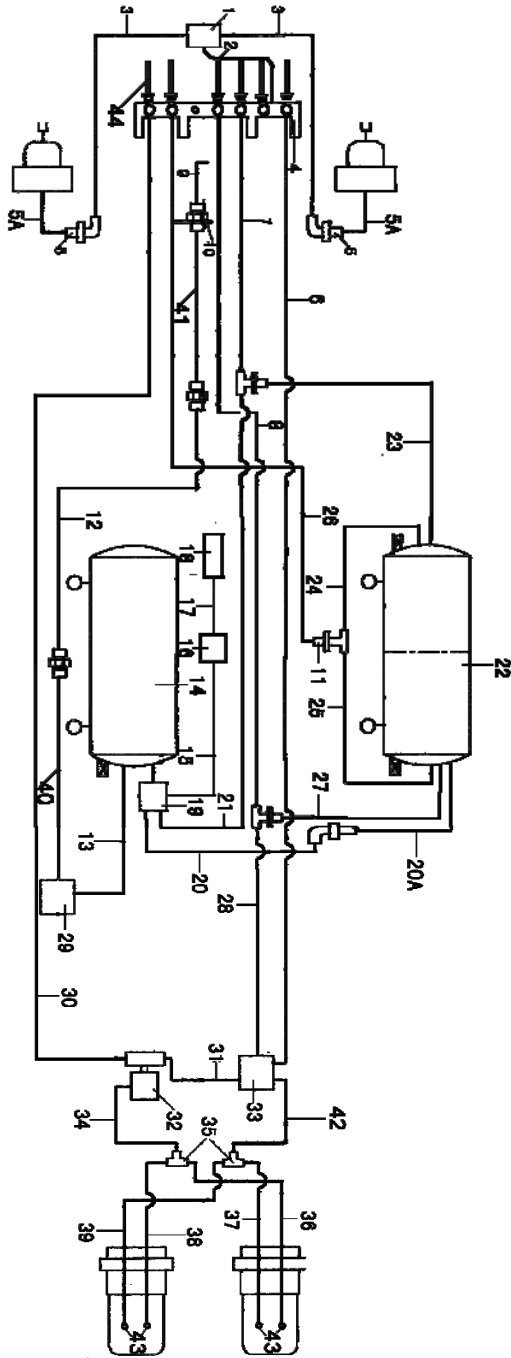
Brake Line, Inside Cab

NO.	PART NO.	PART NAME & DESCRIPTION	QTY.
1	BS3503V66-001	Brake valve assembly	1
2	BS3503V66-06519	Jacket	1
3	35D-06803	Bracket, upper	1
	35D-06804	Bracket, lower	1
	Q150B0865	Bolt	1
	Q340B08	Hex bolt,I type	1
	Q40108	Washer	1
	Q40308	Washer, spring	1
	BS3503V66-06552	Hose bracket	1
	Q150B0825	Bolt	1
	Q40108	Washer	1
	Q40308	Washer, spring	1
4	BS3503V66-06542	Nylon pipe assembly — Brake valve 21 connect hole to hose bracket	1
5	BS3503V66-06544	Nylon pipe assembly — Brake valve 22 connect hole to hose bracket	1
6	BS3503V66-06546	Nylon pipe assembly — Brake valve 12 connect hole to hose bracket	1
7	BS3503V66-06548	Nylon pipe assembly — Brake valve 11 connect hole to hose bracket	1
8	BS3503N35-06070	Transition tie-in	4
	Q351B18	Hex thin bolt	4

BS3503

Brake Line, Inside Cab

NO.	PART NO.	PART NAME & DESCRIPTION	QTY.
	Q41018	Washer	4
9	35N06070	Transition tie-in	2
	Q351B18	Hex thin bolt	2
	Q41018	Washer	2
10	BS3503V66-06513	Hose bracket	1
11	BS3503V65-06572	Air line — hose bracket to hand control valve 2 connect hole	1
12	BS3503V65-06562	Air line — hose bracket to hand control valve 1 connect hole	1
13	35D-06801	Bracket, upper	1
	35D-06802	Bracket, lower	1
	Q150B0865	Bolt	1
	Q340B08	Hex bolt,I type	1
	Q40308	Washer, spring	1
	Q40108	Washer	1
14	35N-06107	Fitting,	2
15	BS3503V65-06560	Air line assembly — hose bracket to hand control valve	1
16	BS3503V65-06570	Air line assembly — hose bracket to hand control valve	1
17	BS3503V66-001	hand control valve assembly	1
	35N-06109	Fitting, pipe	2
	35N-06039	Washer	2



P3503DJ10

BS3504			
Frame Brake Line			
NO.	PART NO.	PART NAME & DESCRIPTION	QTY.
1	BS3504D1-06904	Quick-release valve assemble set	1
	35.6B2-06014	Conical end pipe joint	2
	3533N1-010	Quick-release valve assy	1
	35B06-06097	Bend joint	1
	35D-06629	Clamp nut	1
	35D-06634	O seal ring	1
	Q150B1030	Bolt	2
	Q340B10	Type I hex nut	2
	Q40310	Spring washe	2
2	RQ8501055B	Nylon pipe assy	1
3	RQ85010110	Nylon pipe assy	2
4	BS3504A01-06023	Hose bracket	1
	Q150B0825	Bolt	3
	Q340B08	Type I hex nut	3
	Q40308	Spring washer	3
5	35.6B2-06071	Bend joint	2
	Q351B18	Type I hex nut	2
	Q41018	Inner saw tooth	2
5A	35C-06037	End pipe joint	2
	Q-22-550W	Brake hose assy	2

BS3504			
Frame Brake Line			
NO.	PART NO.	PART NAME & DESCRIPTION	QTY.
6	RQ85010535A	Nylon pipe assy	1
	35.6B2-06810	Pipe clip ass'y	6
	Q150B0825	Bolt	6
	Q340B08	Type I hex nut	6
	Q40308	Spring washer	6
	Q40108	Plain washer	6
7	RQ85010300C	Nylon pipe assy	1
8	RQ85010390D	Nylon pipe assy	1
9	35CB12-06102	1st air pipe assy--air compressor to unloader valve	1
	35.6B2-06092	End pipe joint	1
10	BS3504-06024	Hose bracket	1
	BS3504-06010	Straight joint	1
	Q150B0825	Bolt	1
	Q351B18	Type I hex nut	1
	Q40308	Spring washer	1
	Q41018	Inner saw tooth	1
11	BS3504B1-06071	Bend joint	2
	35N-06037	Seal ring	2
	Q351B16	Hex thin nut	2
	Q41016	Inner saw tooth	2

BS3504			
Frame Brake Line			
NO.	PART NO.	PART NAME & DESCRIPTION	QTY.
	3526N-010	Two-way valve	1
	35N-06032	O seal ring	1
	35N-06027	Clamp nut	1
12	BS3504J02-06104	2nd air pipe assy--air compressor to unloader valve	1
	RQ63112	Joint	2
	35D-06805	Upper bracket	2
	35D-06806	lower bracket	2
	Q150B0865	Bolt	2
	Q340B08	Type I hex nut	2
	Q40308	Spring washer	2
13	BS3504J10-06108	Nylon pipe assy-unloader valve to wet air tank	1
14	3513A9-DJ10	Wet air tank set	1
15	RQ85006260	Nylon pipe assy	2
16	BS3504E10-54010	electromagnetic valve	2
	BS3504-21651	electromagnetic valve bracket	1
	Q150B0822	Bolt	4
	Q150B0825	Bolt	2
	Q41110	Inner saw tooth	1
	Q340B08	Type I hex nut	4
	Q40108	Plain washer	4

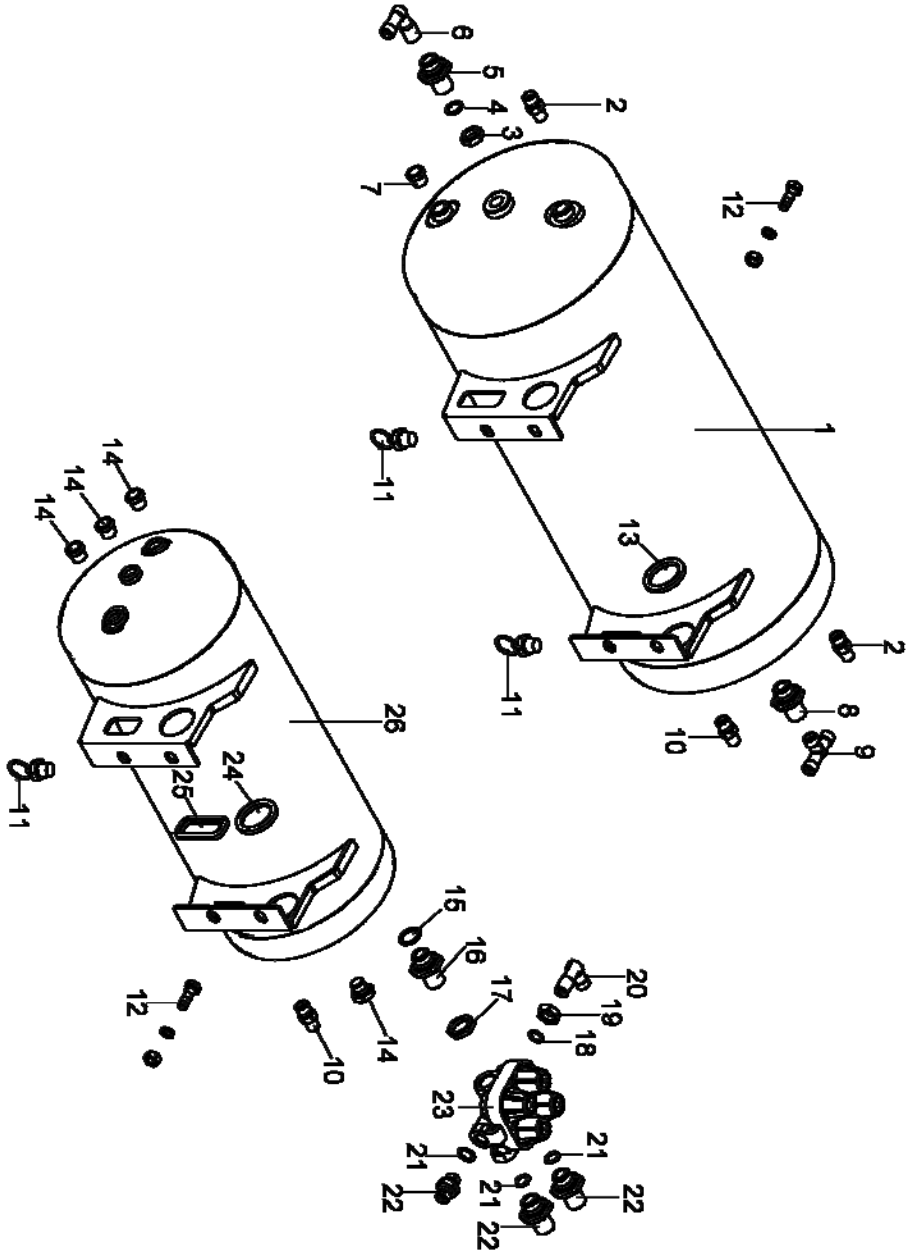
BS3504			
Frame Brake Line			
NO.	PART NO.	PART NAME & DESCRIPTION	QTY.
	Q40308	Spring washer	4
	35.6B2-06017	End pipe joint	1
	35N-41042	Conical end pipe joint	1
17	BS3504J10-41102	Air pipe assy-electromagnetic valve to exhaust brake valve	1
18	BS3504V65A-001	Exhaust brake valve assy	1
19	BS3504Q54-010	4-way protection valve assy	1
20	RQ8501090	Nylon pipe assy	1
20A	35DJ02-06306	Nylon pipe assy-air tank to bend way joint	1
21	RQ85010155	Nylon pipe assy-safety valve to severing switch	1
22	3513E9-DJ02	Parking air tank and front-rear air tank set	1
23	BS3504M01-06210	Nylon pipe assy--air tank to three way joint	1
24	BS3504J02-06208	Air pipe--air tank to two-way valve	1
25	BS3504J02-06308	Air pipe--air tank to two-way valve	1
26	RQ85010350E	Nylon pipe assy	1
27	BS3504J02-06304	ylon pipe assy--air tank to three way joint	1
28	RQ85010150K	Nylon pipe assy	1
29	BS3504J02-06901	Unloader valve set	1
	35.6B2-06027	Bend joint	1
	3512N-010	Unloader valve assy	1
	35F30-06802	Bracket — unloader valve assy	1

BS3504			
Frame Brake Line			
NO.	PART NO.	PART NAME & DESCRIPTION	QTY.
	35N-06026	Clamp nut	2
	35N-06031	O seal ring	2
	35Z41-06104	Bend joint	1
	Q150B0880	Bolt	2
	Q150B1025	Bolt	2
	Q340B08	Type I hex nut	2
	Q340B10	Type I hex nut	2
	Q40308	Spring washer	2
	Q40310	Spring washer	2
30	RQ85010485F	Nylon pipe assy	1
	37QA-24053	Wiring harness strip	13
	Q150B0825	Bolt	13
	Q40308	Spring washer	13
	Q340B08	Type I hex nut	13
	Q40108	Plain washer	13
31	RQ8501038	Nylon pipe assy	1
32	BS3504J02-06903	Dual directional and quick release valve set	1
	3526N-010	two-way valve assy	1
	35BY-06510	Seat-Three way pipe joint	1
	35C-06037	End pipe joint	1

BS3504			
Frame Brake Line			
NO.	PART NO.	PART NAME & DESCRIPTION	QTY.
	35D-06634	O seal ring	1
	35N-06027	Clamp nut	2
	35N-06032	O seal ring	2
	35N-06037	Seal ring	1
	35N-06048	Transition fitting	1
	35N-06124	Bend joint	1
	35N-06155	Clamp nut	1
	35V50A-06412	Quick release valve bracket	1
	Q150B0825	Bolt	2
	Q150B1025	Bolt	2
	Q340B08	Type I hex nut	2
	Q340B10	Type I hex nut	2
	Q40308	Spring washer	2
	Q40310	Spring washer	2
33	3542A9-DJ02	Loading sensing valve set	1
	3542Q75-001	Loading sensing valve assy	1
	35B06-06096	Bend joint	1
	35DR10-06020	End pipe joint	1
	35N-06026	Clamp nut	2
	35N-06027	Clamp nut	1

BS3504			
Frame Brake Line			
NO.	PART NO.	PART NAME & DESCRIPTION	QTY.
	35N-06031	O seal ring	2
	35N-06032	O seal ring	1
	35N-06036	Seal ring	1
	35N-42010	Loading sensing valve bracket	1
	35V50A-42011	Loading sensing valve bracket	1
	35V65A-42015	Steelwire rope assembly-loading sensing valve	1
	35Z41-06104	Bend joint	2
	Q150B0825	Bolt	2
	Q150B1028	Bolt	2
	Q340B08	Type I hex nut	7
	Q340B10	Type I hex nut	2
	Q40108	Plain washer	2
	Q40308	Spring washer	6
	Q40310	Spring washer	2
	Q500B0216	Cotter pin,	2
34	Q-22-550W	Brake hose assy	1
35	BS3504S5-06173	Three way pipe joint	2
	BS3504B12-06175	Three way bracket	1
	Q351B18	Hex thin nut	2
	Q41018	Inner saw tooth	2

BS3504			
Frame Brake Line			
NO.	PART NO.	PART NAME & DESCRIPTION	QTY.
36	BS3504B12-06422	Air pipe--rear axle 3-way joint to right spring air chamber	1
37	BS3504B12-06322	Air pipe--rear axle 3-way joint to right spring air chamber	1
38	BS3504B12-06420	Air pipe--rear axle 3-way joint to left spring air chamber	1
39	BS3504B12-06320	Air pipe--rear axle 3-way joint to left spring air chamber	1
40	BS3504J02-06106	2nd air pipe assy--air compressor to unloader valve	1
	35D-06805	Upper bracket	2
	35D-06806	lower bracket	2
	Q150B0865	Bolt	2
	Q340B08	Type I hex nut	2
41	Q-22-600W	Brake hose assy	1
42	Q-22-400W	Brake hose assy	1
43	BS3504S5B-06037	End pipe joint	4
	35N-06037	Seal ring	4
44	BS3504B01-06075	Hose assy	6
	Q351B16	Hex thin nut	6
	Q41016	Inner saw tooth	6



P3505DJ10

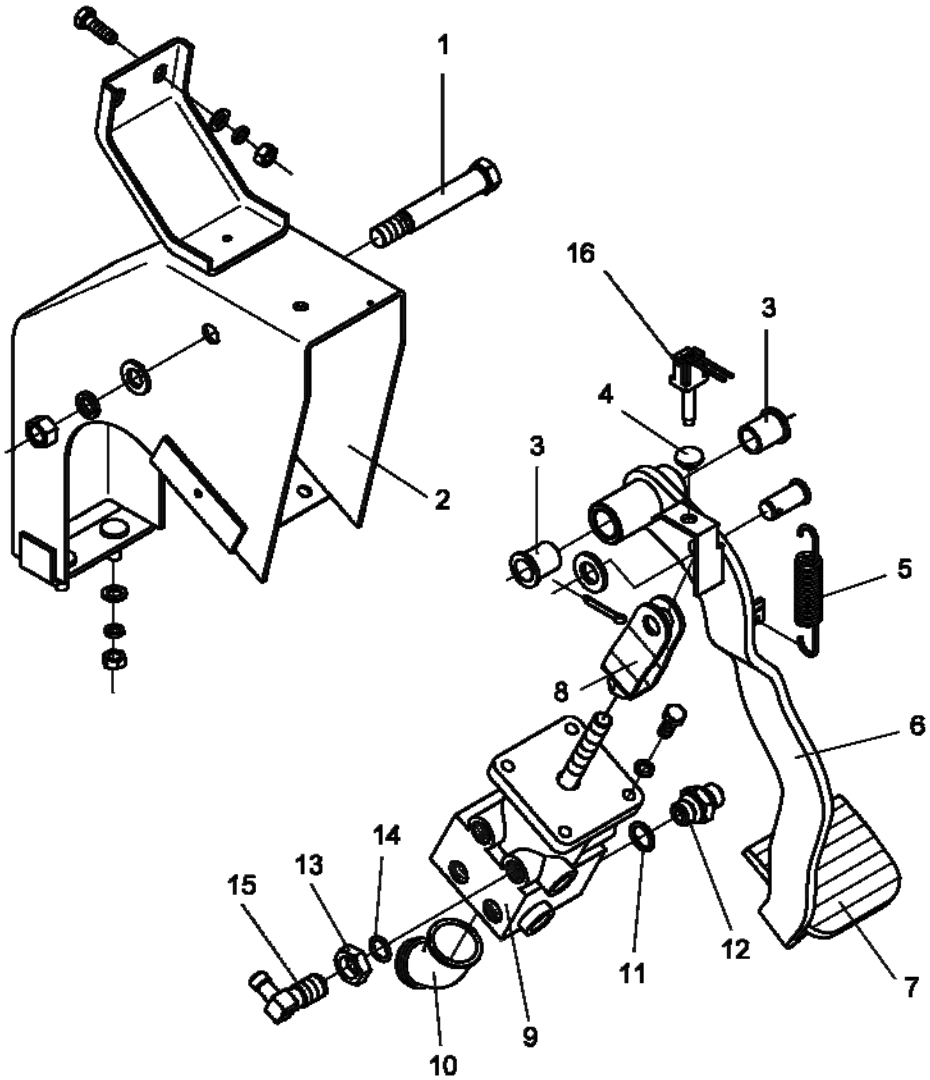
BS3505

Air Tank Installation

NO.	PART NO.	PART NAME & DESCRIPTION	QTY.
1	BS3505A01-002	Air tank and bracket assy	1
2	RQ63012	End pipe joint	2
3	35N-06155	Clamp nut	1
4	35D-06634	O seal ring	1
5	BS3505S8-06513	Transition fitting	1
6	35H02-06027	Elbow joint	1
7	BS3505S5-06038	Transition fitting	1
8	BS3505S5-06038	Transition fitting	1
9	35E03-06014	Three way pipe joint	1
10	35.6B2-06012	Conical end pipe joint	1
11	3513D-040	Water drain valve assy	3
12	Q150B1230	Bolt	8
	Q340B12	Type I hex nut	8
	Q40312	Spring washer	8
13	37Q75-24084	Rubber Boot	2
14	Q618B03	Plug	4
15	35N-06031	O seal ring	1
16	BS3505R10-06010	Transition fitting	1
17	35N-06026	Clamp nut	1
18	35N-06032	O seal ring	1

BS3506

Brake Valve Control System

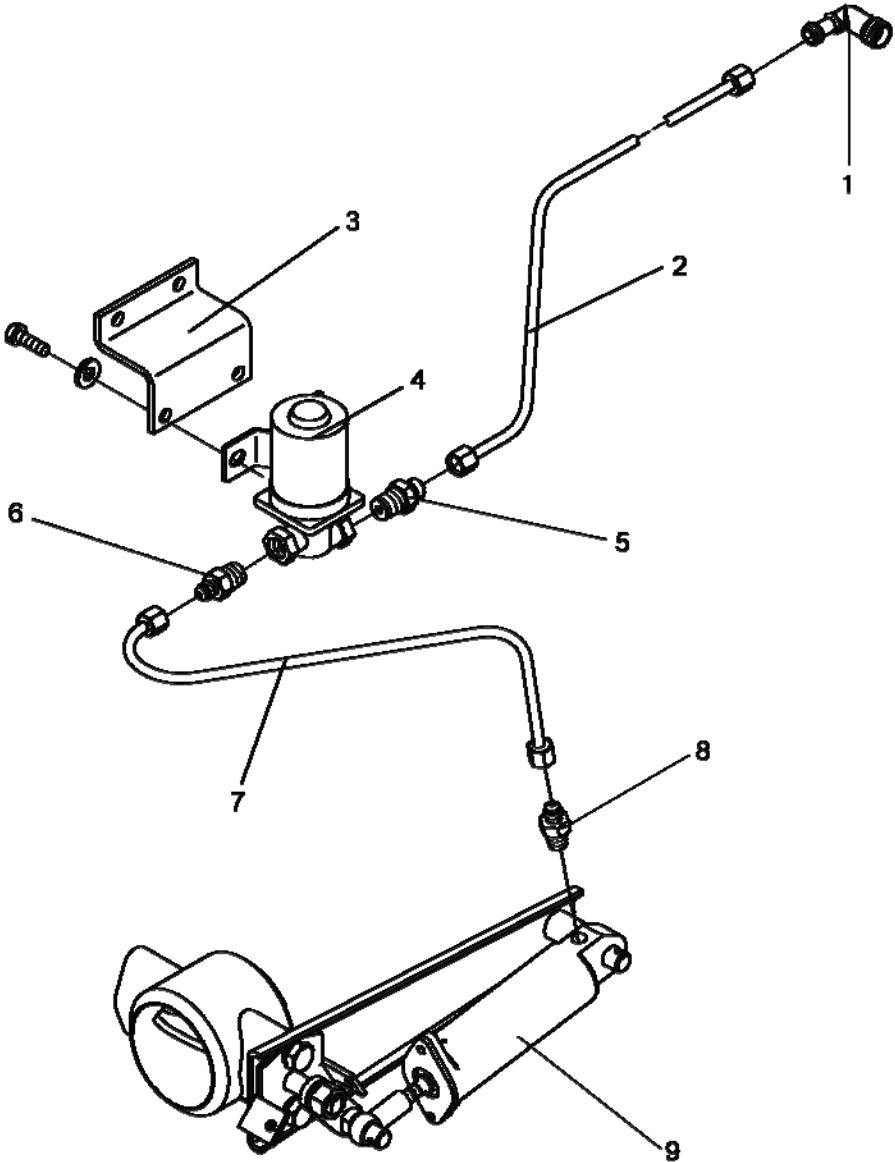


P3506DP01

BS3506			
Brake Valve Control System			
NO.	PART NO.	PART NAME & DESCRIPTION	QTY.
1	BS3506-04031	Shaft, pedal	1
	Q340B12	Hex nut,I type	1
	Q40312	Washer, spring	1
	Q40112	Washer	1
2	BS3506-04020	Bracket assembly	1
	Q150B0825	Bolt	2
	Q340B08	Hex nut,I type	4
	Q40308	Washer, spring	4
	Q40108	Washer	4
3	16N-02024	Bushing	2
4	35N-04016	Buffer	1
5	35V50A-04028	Return spring	1
6	BS3506-04010	Pedal arm assembly	1
7	16N-02029	Shield, pedal	1
8	35V50A-04026	Fork assembly	1
	Q510B1430	Pin, shaft	1
	Q500B0426	Pin, cotter	1
	Q40114	Washer	1
	Q340B12	Hex nut,I type	1
9	BS3506V66-001	Brake valve assembly	1

BS3507

Exhaust Brake System



P3507DP01

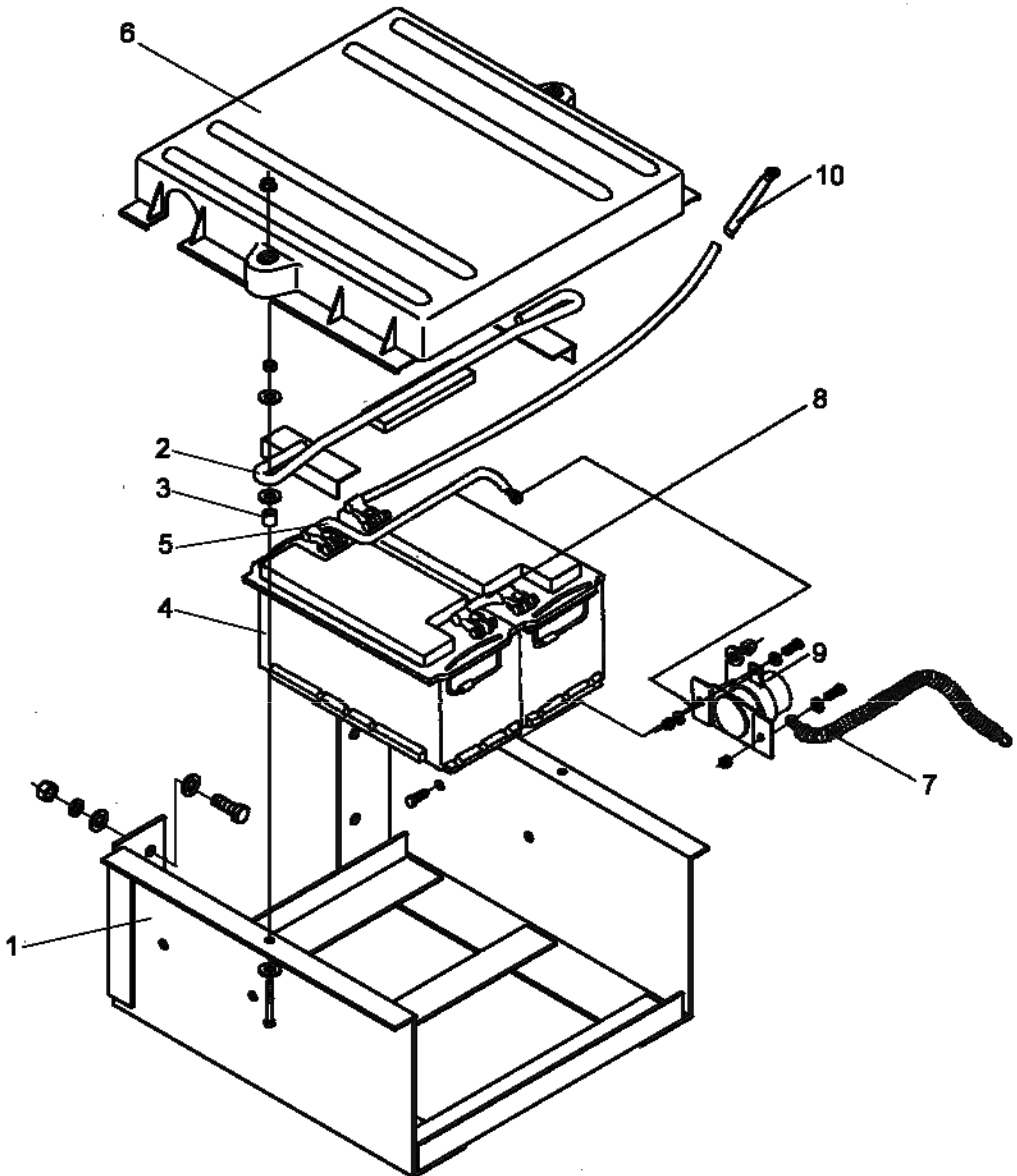
BS3507

Hand Control Valve Control

NO.	PART NO.	PART NAME & DESCRIPTION	QTY.
1	BS3507R10-06027	Fitting, elbow	1
2	RQ85006260	Nylon pipe assembly	1
3	37N-21651	electromagnetic valve bracket	1
	Q150B0822	Bolt	2
	Q150B0825	Bolt	2
	Q340B08	Nut	4
	Q40108	Washer	4
	Q40308	Washer, spring	4
	Q41110	Inner and outer saw tooth	1
4	BS3507E10-54010	electromagnetic valve	1
5	35.6B2-06017	Conical end pipe joint	1
6	35N-41042	Conical end pipe joint	1
7	BS3507J10-41102	Air pipe assy-electromagnetic valve to exhaust brake valve	1
8	35N-41040	Conical end pipe joint	1
9	BS3507V65A-001	exhaust brake valve	1

10. ELECTRIC SYSTEM

EL3701 Battery Assy	10-2
EL3702 Chassis Frame Harness(For DFA1063DJ10/14-301)	10-5
EL3703 Chassis Frame Harness(For DFA1063DJ10/14-302)	10-9
EL3704 Chassis Frame Harness(For DFA1063DJ10/14-303)	10-13
EL3705 Cab Harness	10-17
EL3706 Cargo Body Harness Ass'y	10-21
EL3707 Tail Lamp.....	10-23
EL3708 Headlamp.....	10-25
EL3709 Harness in Cab	10-27
EL3710 Cab Electric Elements.....	10-29
EL3711 Electric Accessories.....	10-33



P3701DN05

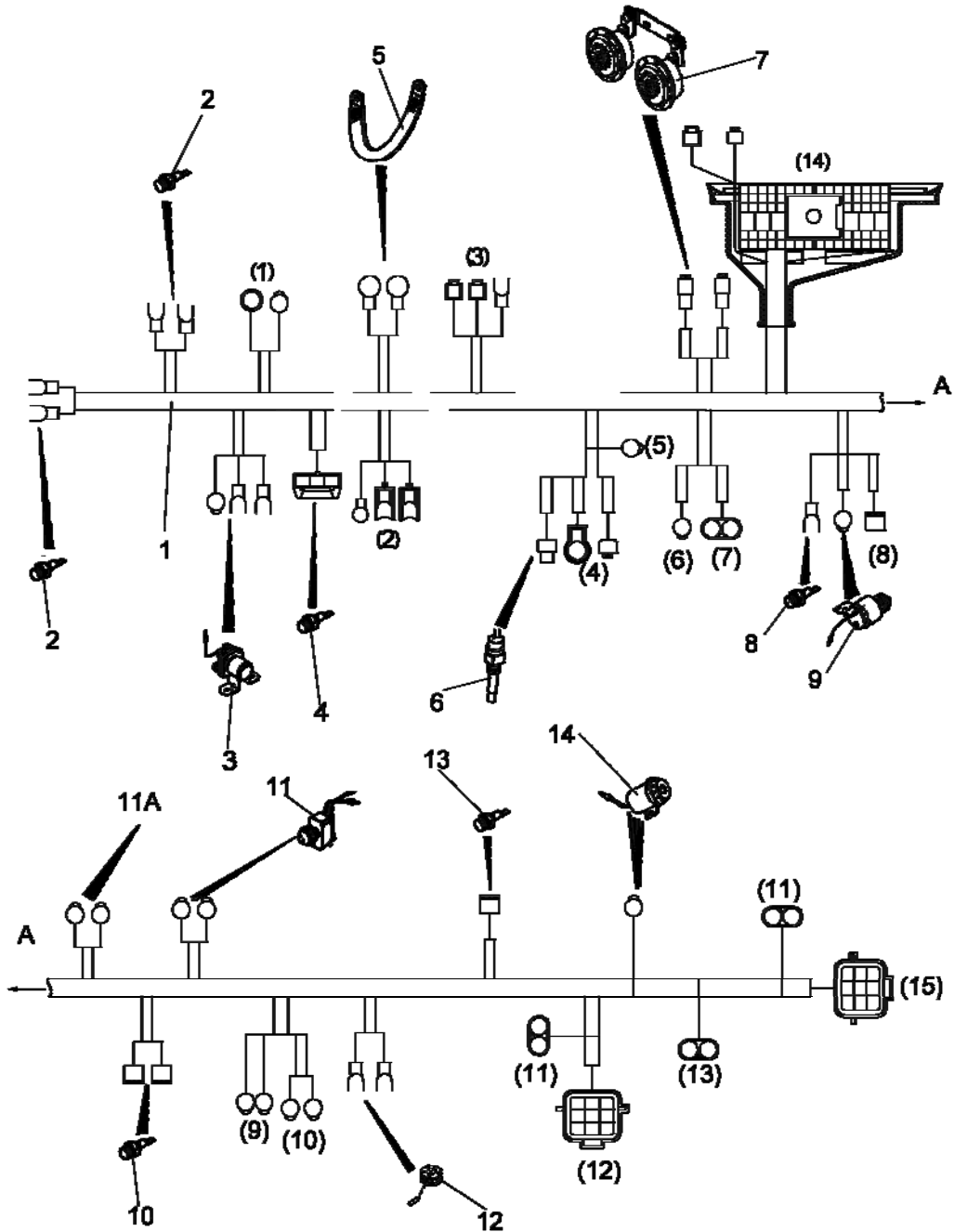
EL3701			
			Battery Assy
NO.	PART NO.	PART NAME & DESCRIPTION	QTY.
1	EL3701-03125	Battery frame ass'y	1
	Q150B1235	Bolt	4
	Q340B12	Nut	4
	Q40112	Washer	4
	Q40312	Nut	4
2	EL3701-03140	Pull rod ass'y	1
	Q150B0875	Bolt	2
	Q340B08	Nut	2
	Q40208	Washer	4
3	EL3701-03133	Bush	2
4	37QB10H-03010	Battery ass'y,	2
5	EL3701D3-24135	Battery positive wire	1
	Q194B08030	Bolt	1
	Q40308-P8	Washer	1
	Q340B08-P	Nut	1
6	EL3701-03142	Cover, Battery	1
7	EL3701B12-24130	Battery positive wire	1
	Q194B0830	Bolt	1
	Q40308-P8	Washer	1
	Q340B08	Nut	1

EL3701

Battery Assy

NO.	PART NO.	PART NAME & DESCRIPTION	QTY.
8	EL3701-24160	Connecting cable ass'y, Batteries	1
	Q194B0830	Bolt	2
	Q40308-P8	Washer	2
	Q340B08-P	Nut	4
9	EL3701-36010	Electromagnetic switch	1
	Q40110	Washer	2
	Q40310	Washer	2
	Q150B1025	Bolt	2
	Q340B10	Nut	2
10	EL3701J02-24150-B	Battery negative wire	1

Chassis Frame Harness(For DFA1063DJ10/14-301)



EL3702			
Chassis Frame Harness(For DFA1063DJ10/14-301)			
NO.	PART NO.	PART NAME & DESCRIPTION	QTY.
1	EL3702J11-24080	Chassis frame harness ass'y (for DFA1063DJ10-301)	1
	EL3702-24080	Chassis frame harness ass'y (for DFA1063DJ14-301)	1
2	EL3702E10-010	Warning sensor, air pressure	2
3	37N-35085-B	Relay ass'y	1
	37DJ02-35084	Bracket-relay ass'y	1
	Q150B0830	Bolt	4
	Q340B08	Nut	4
	Q40108	Washer	4
	Q40308	Spring washer	4
4	EL3702D3-010	Electrical speed odometer sensor	1
5	37QA-24170	Negative cable ass'y	1
	Q150B1225	Bolt	1
	Q40312	Spring washer	1
6	EL3702N05-010	Temperature warner sensor ass'y	1
7	EL3702-21010-B	Horn ass'y	1
	Q150B0825	Bolt	2
	Q340B08	Nut	2
	Q40108	Washer	2
	Q40308	Spring washer	2

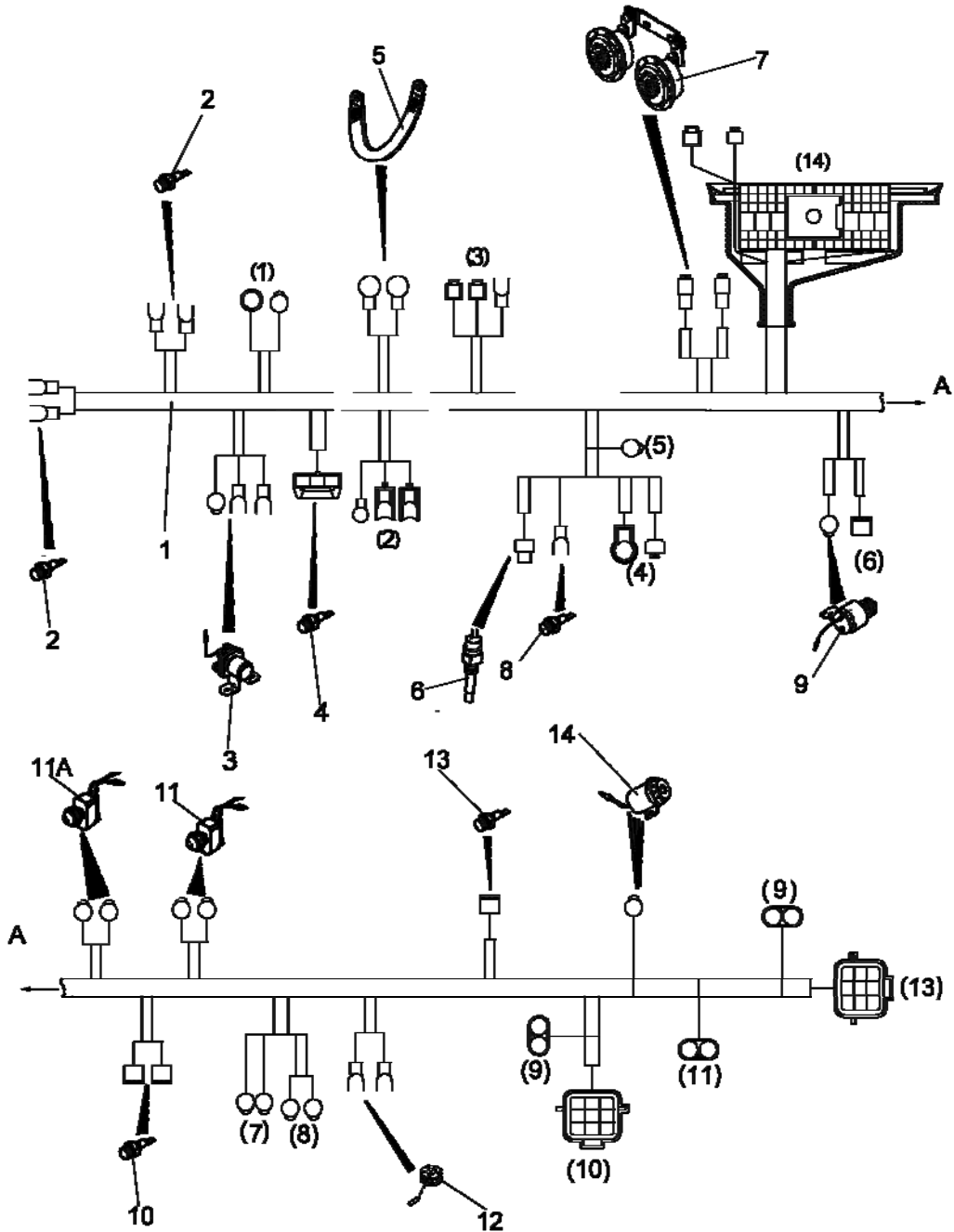
EL3702			
Chassis Frame Harness(For DFA1063DJ10/14-301)			
NO.	PART NO.	PART NAME & DESCRIPTION	QTY.
8	EL3702-010-B2	warning sensor ass'y, oil pressure	1
9	EL3702— 50140	Fuel intake switch	1
	37Q01-50141-B	Bracket-for fuel intake switch	1
	Q150B1025	Bolt	2
	Q2140510	Bolt	2
	Q40110	Washer	2
	Q40305	Spring washer	2
	Q40310	Spring washer	2
10	3834N-010	Tachometer sensor,	1
11	EL3702E10-50130	Knob ass'y, ignition, assistant (for DFA1063DJ14-301)	1
11A	EL3702E10-50130	Knob ass'y, ignition, assistant (for DFA1063DJ10-301)	1
12	3827Q01-010-C	Sensor ass'y, fuel level	1
13	3832V56C-010	to warning sensor, air pressure	1
14	38N-18010	Warner ass'y, reverse	1
	Q340B08	Bolt	1
	Q40108	Washer	1
	Q40308	Spring washer	1
	Q41108	Washer	1
	Q150B0825	Bolt	

EL3702

Chassis Frame Harness(For DFA1063DJ10/14-301)

NO.	PART NO.	PART NAME & DESCRIPTION	QTY.
		(1) — to electromagnetic valve, exhaust brake	
		(2) — to electromagnetic switch, power	
		(3) — to motor	
		(4) — to alternator	1
		(5) — to air compressor	
		(6) — to motor, cooler	
		(7) — to switch, pressure	
		(8) — to electromagnetic valve, flameout	
		(9) — to reverse switch	
		(10) — to switch, fuel intake	
		(11) — to harness ass'y, cargo body	
		(12) — to combination lamp, rear, left	
		(13) — to license plate lamp	
		(14) — to cab harness ass'y	
		(15) — to combination lamp, rear, right	

Chassis Frame Harness(For DFA1063DJ10/14-302)



EL3703			
Chassis Frame Harness(For DFA1063DJ10/14-302)			
NO.	PART NO.	PART NAME & DESCRIPTION	QTY.
1	EL3703J12-24080	Chassis frame harness ass'y (for DFA1063DJ10-302)	1
	EL3703J16-24080	Chassis frame harness ass'y (for DFA1063DJ14-302)	1
2	3846DE10-010	Warning sensor, air pressure	2
3	37N-35085-B	Relay ass'y	1
	37DJ02-35084	Bracket-relay ass'y	1
	Q150B0830	Bolt	4
	Q340B08	Nut	4
	Q40108	Washer	4
	Q40308	Spring washer	4
4	3836VD3-010	Electrical speed odometer sensor	1
5	EL3703-24170	Negative cable ass'y	1
	Q150B1225	Bolt	1
	Q40312	Spring washer	1
6	3845N05-010	Temperature warner sensor ass'y	1
7	EL3703-21010-B	Horn ass'y	1
	Q150B0825	Bolt	2
	Q340B08	Nut	2
	Q40108	Washer	2
	Q40308	Spring washer	2

EL3703

Chassis Frame Harness(For DFA1063DJ10/14-302)

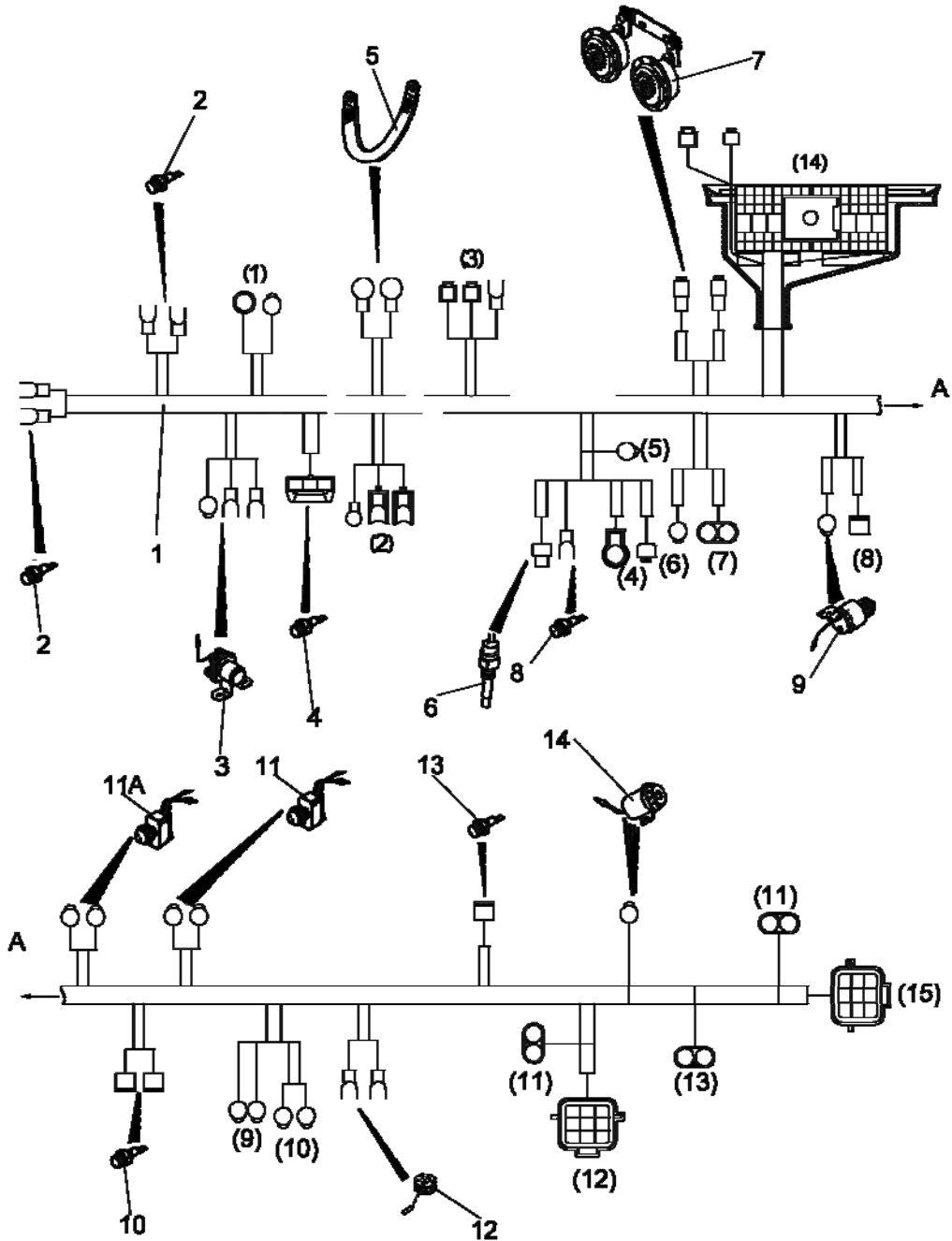
NO.	PART NO.	PART NAME & DESCRIPTION	QTY.
8	3846N-010-B2	warning sensor ass'y, oil pressure	1
9	EL3703— 50140	Fuel intake switch	1
	37Q01-50141-B	Bracket-for fuel intake switch	1
	Q150B1025	Bolt	2
	Q2140510	Bolt	2
	Q40110	Washer	2
	Q40305	Spring washer	2
	Q40310	Spring washer	2
10	3834N-010	Tachometer sensor,	1
11	EL3703E10-50130	Knob ass'y, ignition, assistant (for DFA1063DJ14-302)	1
11A	EL3703E10-50130	Knob ass'y, ignition, assistant (for DFA1063DJ10-302)	1
12	3827Q01-010-C	Sensor ass'y, fuel level	1
13	3832V56C-010	to warning sensor, air pressure	1
14	38N-18010	Warner ass'y, reverse	1
	Q340B08	Bolt	1
	Q40108	Washer	1
	Q40308	Spring washer	1
	Q41108	Washer	1
	Q150B0825	Bolt	1

EL3703

Chassis Frame Harness(For DFA1063DJ14-302)

NO.	PART NO.	PART NAME & DESCRIPTION	QTY.
		(1) — to electromagnetic valve, exhaust brake	
		(2) — to electromagnetic switch, power	
		(3) — to motor	
		(4) — to alternator	
		(5) — to air compressor	
		(6) — to electromagnetic valve, flameout	
		(7) — to reverse switch	
		(8) — to switch, fuel intake	
		(9) — to harness ass'y, cargo body	
		(10) — to combination lamp, rear, left	
		(11) — to license plate lamp	
		(12) — to harness ass'y, cargo body	
		(13) — to combination lamp, rear, right	
		(14) — to cab harness ass'y	

Chassis Frame Harness(For DFA1063DJ10/14-303)



EL3704			
Chassis Frame Harness(For DFA1063DJ10/14-303)			
NO.	PART NO.	PART NAME & DESCRIPTION	QTY.
1	EL3704J13-24080	Chassis frame harness ass'y (for DFA1063DJ10-303)	1
	EL3704J17-24080	Chassis frame harness ass'y (for DFA1063DJ14-303)	1
2	3846DE10-010	Warning sensor, air pressure	2
3	37N-35085-B	Relay ass'y	1
	37DJ02-35084	Bracket-relay ass'y	1
	Q150B0830	Bolt	4
	Q340B08	Nut	4
	Q40108	Washer	4
	Q40308	Spring washer	4
4	3836VD3-010	Electrical speed odometer sensor	1
5	EL3704-24170	Negative cable ass'y	1
	Q150B1225	Bolt	1
	Q40312	Spring washer	1
6	3845N05-010	Temperature warner sensor ass'y	1
7	EL3704-21010-B	Horn ass'y	1
	Q150B0825	Bolt	2
	Q340B08	Nut	2
	Q40108	Washer	2
	Q40308	Spring washer	2

EL3704

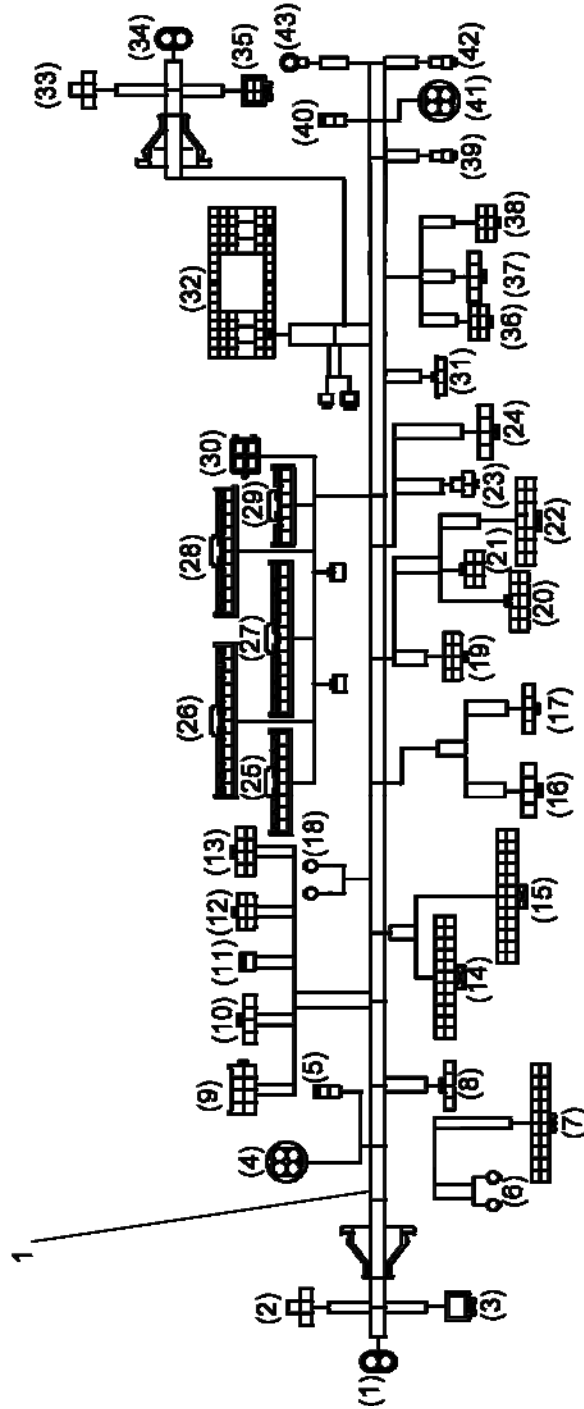
Chassis Frame Harness(For DFA1063DJ10/14-303)

NO.	PART NO.	PART NAME & DESCRIPTION	QTY.
8	3846N-010-B2	warning sensor ass'y, oil pressure	1
9	EL3704— 50140	Fuel intake switch	1
	37Q01-50141-B	Bracket-for fuel intake switch	1
	Q150B1025	Bolt	2
	Q2140510	Bolt	2
	Q40110	Washer	2
	Q40305	Spring washer	2
	Q40310	Spring washer	2
10	3834N-010	Tachometer sensor,	1
11	EL3704E10-50130	Knob ass'y, ignition, assistant (for DFA1063DJ14-303)	1
11A	EL3704E10-50130	Knob ass'y, ignition, assistant (for DFA1063DJ10-303)	1
12	3827Q01-010-C	Sensor ass'y, fuel level	1
13	3832V56C-010	to warning sensor, air pressure	1
14	38N-18010	Warner ass'y, reverse	1
	Q340B08	Bolt	1
	Q40108	Washer	1
	Q40308	Spring washer	1
	Q41108	Washer	1
	Q150B0825	Bolt	1

EL3704

Chassis Frame Harness(For DFA1063DJ10/14-303)

NO.	PART NO.	PART NAME & DESCRIPTION	QTY.
		(1) — to electromagnetic valve, exhaust brake	
		(2) — to electromagnetic switch, power	
		(3) — to motor	
		(4) — to alternator	
		(5) — to air compressor	
		(6) — to motor, cooler	
		(7) — to switch, pressure	
		(8) — to electromagnetic valve, flameout	
		(9) — to reverse switch	
		(10) — to switch, fuel intake	
		(11) — to harness ass'y, cargo body	
		(12) — to combination lamp, rear, left	
		(13) — to license plate lamp	
		(14) — to cab harness ass'y	
		(15) — to combination lamp, rear, right	



EL3705

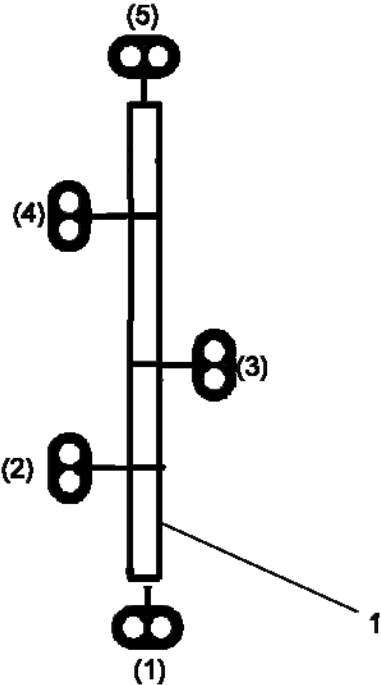
Cab Harness

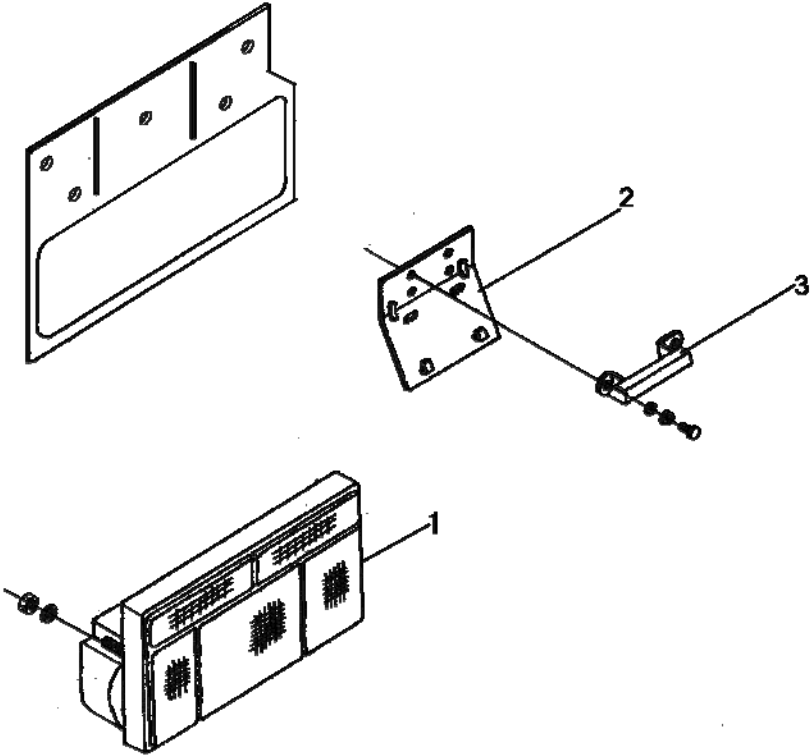
NO.	PART NO.	PART NAME & DESCRIPTION	QTY.
1	EL3705J11-24010-B	Cab harness ass'y(forDFA1063DJ10 /DJ14-301/303)	1
	EL3705J10-24010-B	Cab harness ass'y(for DFA1063DJ10/DJ14-302)	
		(1)- to fog lamp, left, front	
		(2)- to headlight, left, front	
		(3)-to combination lamp, left, front	
		(4)-to floor ,wire	
		(5)-to left door wiring harness	
		(6)-to clutch switch	
		(7)-to warning module	
		(8)-to power switch	
		(9)-to combination switch, windshield wiper	
		(10)-to combination switch, steering	
		(11)-to combination switch, horn	
		(12)-to ignition lock	
		(13)-to combination switch, light	
		(14)-to meter socket (A)	
		(15)-to meter socket (B)	
		(16)-to rear fog lamp switch	
		(17)-to switch, front fog lamp	

EL3705

Cab Harness

NO.	PART NO.	PART NAME & DESCRIPTION	QTY.
		(18)-to brake lamp switch	
		(19)-to hazard switch	
		(20)-to switch, heater	
		(21)-to A/C switch	
		(22)-to radio	
		(23)-to lighter	
		(24)-to exhaust brake switch	
		(25)-to center switch box E	
		(26)-to center switch box G	
		(27)-to center switch box D	
		(28)-to center switch box C	
		(29)-to center switch box B	
		(30)-to center switch box G	
		(31)-to air conditioncontrol switch(For DFA1063DJ10/14-301/303)	
		(32)-to wire harness, chassis	
		(33)-to headlight, right	
		(34)-to fog lamp, front, right	
		(35)-to combination lamp, right	
		(36)-toinside and outside circle change-over machine	
		(37)-to resistance, heater motor	

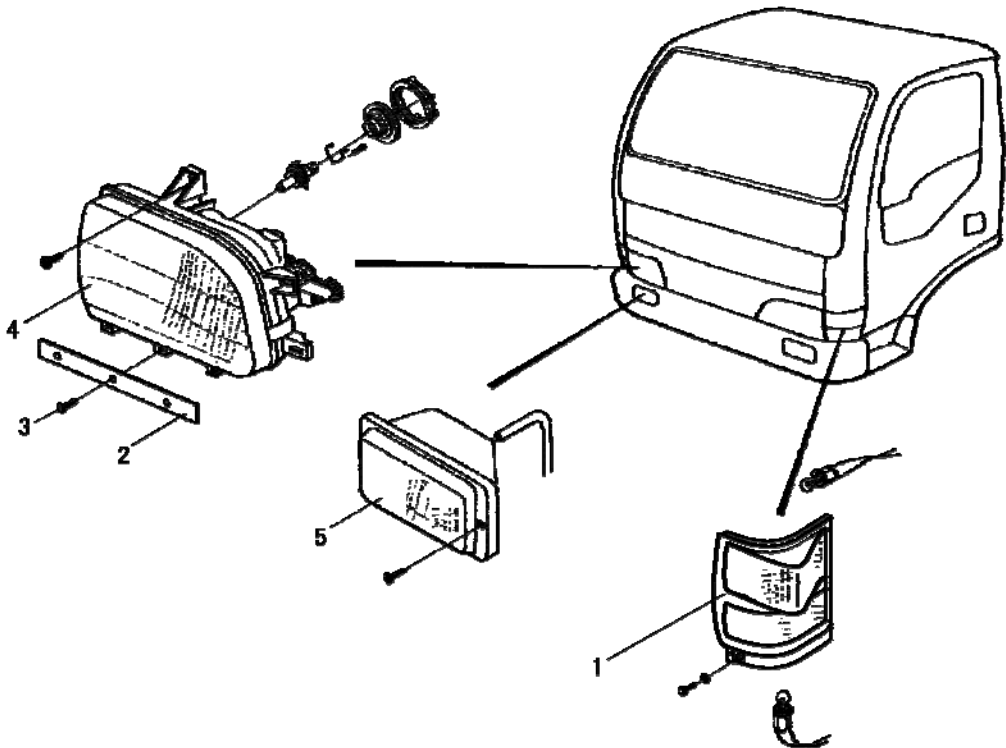




EL3707

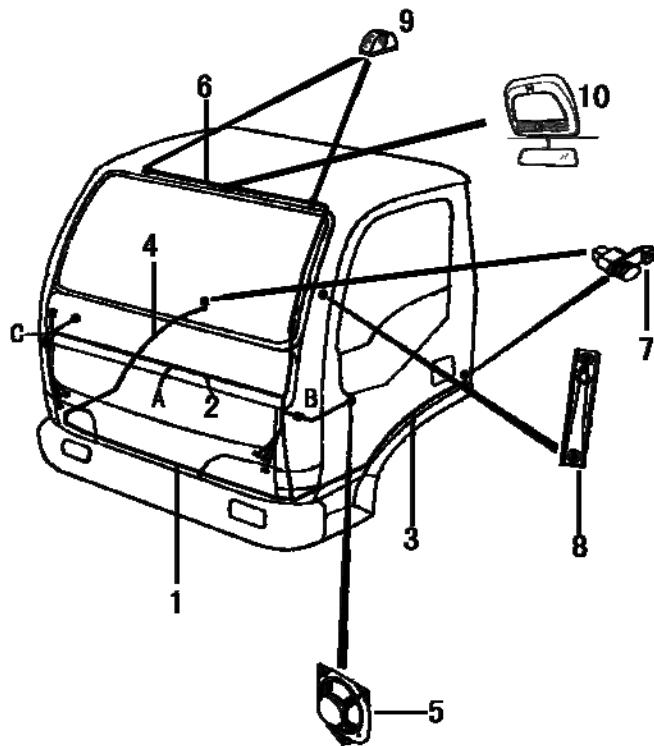
Tail Lamp

NO.	PART NO.	PART NAME & DESCRIPTION	QTY.
1	EL3707-73010	Rear left combination lamp ass'y	1
	EL3707-73020	Rear right combination lamp ass'y	1
	Q340B08	Type I hex nut	4
	Q40108	Plain washer	4
	Q40308	Spring washer	4
2	EL3707-17118-A	Retainer, License lamp	1
3	EL3707E10-17010	License lamp ass'y	1
	Q150B0820	Bolt	4
	Q40208	Big washer	4
	Q40308	Spring washer	4
	Q340B08	Type I hex nut	4
	EL3707-31020	Rear width lamp	2
	W5W	Bulb	2
	EL3707-60010	side sign lamp ass'y	6



P3702DA01

EL3708			
			Headlamp
NO.	PART NO.	PART NAME DESCRIPTION	QTY.
1	EL3708-72010	Front left signal lamp ass'y	1
	EL3708-72020	Front right signal lamp ass'y	1
	Q174B0625	Bolt	4
	Q40106	Washer	4
2	EL3708-11011	Front head-lamp piping	2
3	EL3708-11012	Headlight clip	6
4	EL3708-11020-B	Front right headlamp ass'y	1
	EL3708-11010-B	Front left headlamp ass'y	1
	Q174B0620	Bolt	6
	Q40206	Washer	4
5	EL3708-32010	Front fog lamp ass'y	2
	Q2740530	Screw	4
	EL3708-26210	Side turning lamp assy	1
	EL3708-26220	Side turning lamp assy	1
	EL3708-31010	Front clearance lamp assy	2

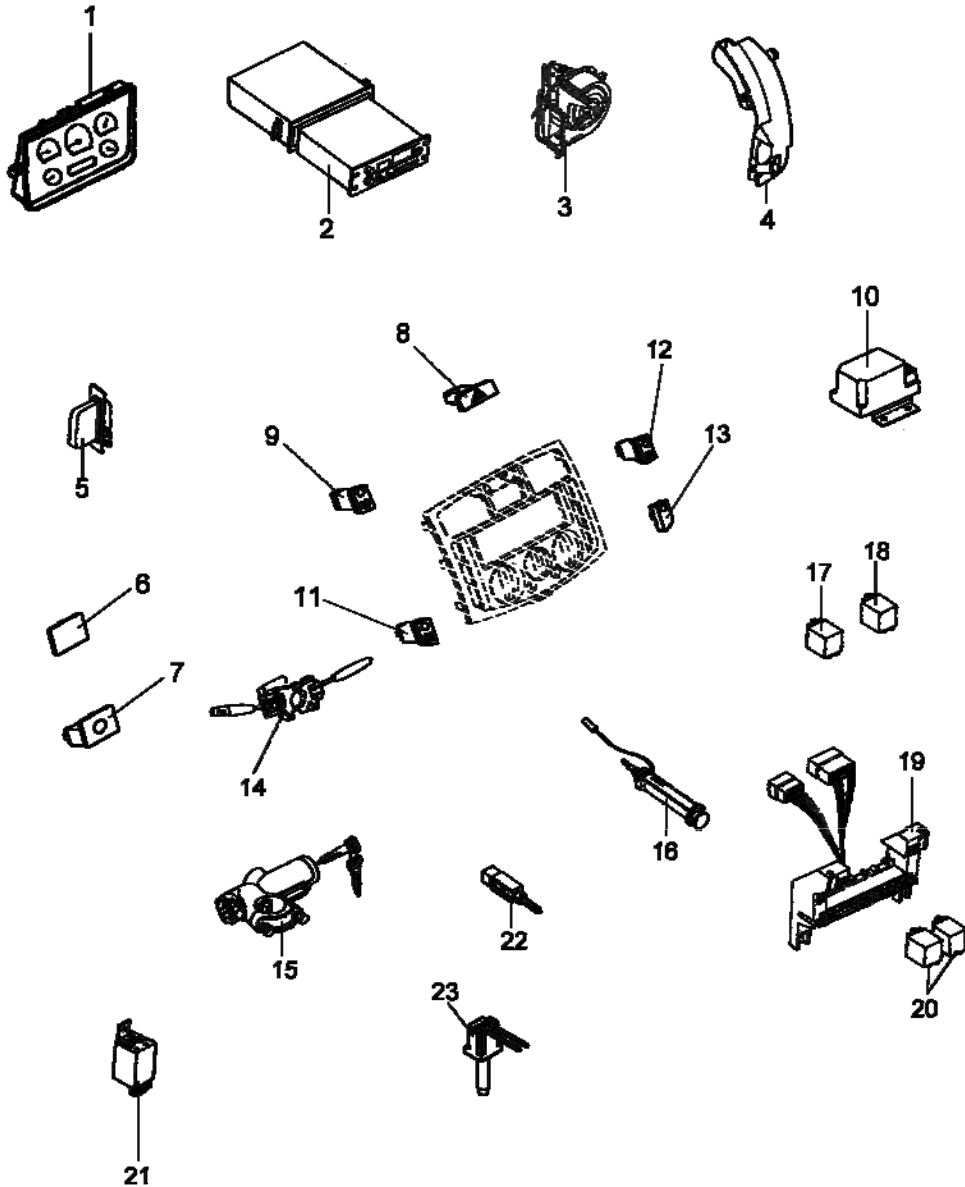


P3704DA01

EL3709

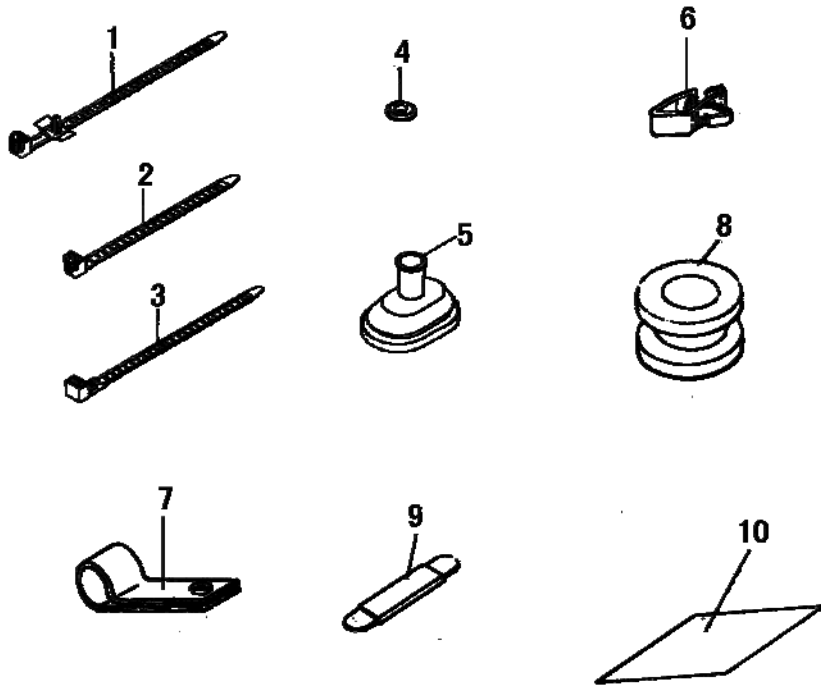
Harness in Cab

NO.	PART NO.	PART NAME & DESCRIPTION	QTY.
1	EL3709J10-24030	Floor harness ass'y	1
2	EL3709J11-24010-B	Cab harness ass'y (For DFA1063DJ10/14-301/303)	1
	EL3709J10-24010-B	Cab harness ass'y (For DFA1063DJ10/14-302)	
	37N-24061	Adhesive plaster, press	20
3	EL3709-24060-A	Harness ass'y, Door, Left	1
4	EL3709-24070	Harness ass'y, Door, Right	1
5	EL3709F18A-75010	Speaker ass'y	2
6	EL3709-24070	Harness ass'y, Roof	1
7	EL3709-58010	Switch ass'y, Door lamp	2
8	EL3709-75015	Antenna ass'y	1
	Q2140510	Screw	2
9	EL3709-31010	Lamp ass'y, marker, front	2
10	EL3709E11-02030	Headup glove box ass'y, with map light	1
		A- to chassis frame wiring harness	
		B- to left door wiring harness	
		C-to right door wiring harness	



EL3710			
Cab Electric Elements			
NO.	PART NO.	PART NAME & DESCRIPTION	QTY.
1	EL3710E10-010	Instrument ass'y	1
	Q2704816	Screw	4
2	EL3710E10-75020	Tape recorder ass'y	2
	EL3710-75015	Antenna ass'y	1
	Q2140510	Screw	1
3	EL3710E11-01019	Fan assembly with inside and outside cycle switch	1
4	EL3710E10-47020	Nozzle ass'y	1
	EL3710E10-47010	washer ass'y	1
	EL3710-47030	washer nozzle ass'y	3
	37QA-47017	Bracket, washer ass'y	1
	EL3710-24284	Seal ring	1
	RQ1760625	Bolt	1
	RQ42306	Spring washer	1
	Q174B0516	Bolt	3
	Q40105	Washer	3
	Q40305	Spring washer	3
5	EL3710-44010-B	Motor, heating system	1
	EL3710-44015	Heater resistance ass'y	1
6	EL3710E10-50071	Switch plug--lamp control	1
7	EL3710E10-50020	Power switch ass'y	1

EL3710			
Cab Electric Elements			
NO.	PART NO.	PART NAME & DESCRIPTION	QTY.
8	EL3710E10-50060	Switch ass'y, hazard	1
9	EL3710E10-50050	Front fog lamp switch ass'y	1
10	EL3710-41010	Motor, windshield wiper	1
	RQ1760625	Bolt	4
	RQ42006	Spring washer	2
	RQ42306	Spring washer	2
11	EL3710E10-50030	Rear fog lamp switch ass'y	1
12	EL3710E10-50090	Exhaust brake switch assy	1
13	EL3710E10-50011	Central control switch plug	1
	EL3710F18G-50041	Airer switch plug	1
	EL3710F18G-50081	Air and horn Switch plug	1
14	EL3710-74010	Combination switch ass'y	1
	RQ2710518	Screw	3
15	EL3710-04030	Lock & key ass'y	1
16	EL3710E10-25010	Lighter ass'y, smoking	1
17	EL3710-35010	Intermittent relay ass'y, windshield wiper	1
18	EL3710B10E-35020	Relay	1
19	EL3710E10-22010	Central switch box ass'y	1
	Q40106	Washer	2
	Q40306	Spring washer	2



P3708DA01

EL3711

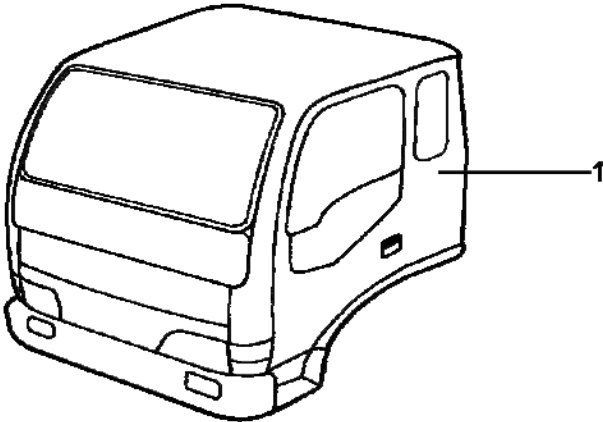
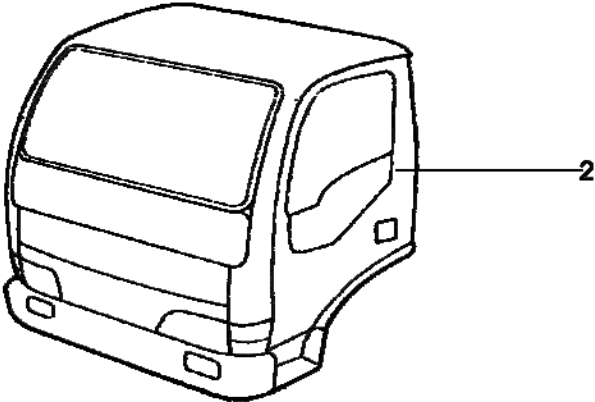
Electric Accessories

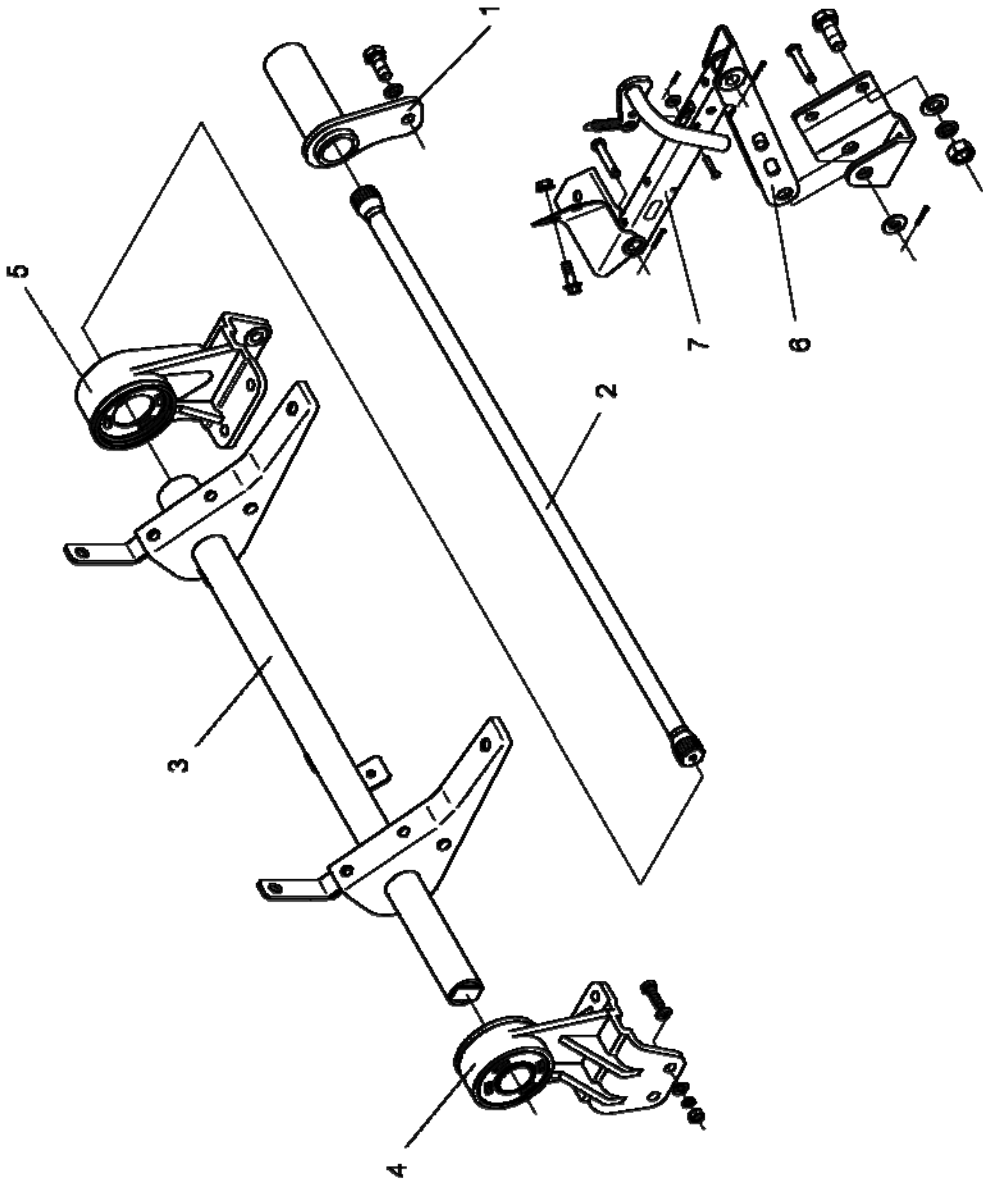
NO.	PART NO.	PART NAME & DESCRIPTION	QTY.
1	37QA-24028	Harness clip	5
2	37QA-24027	Harness clip	3
	37QA-24032	Harness clip	6
3	ZD150	Nylonstrip	1
	ZD250X7.5	Nylonstrip	5
	ZD150X8	Nylonstrip	3
4	37QA-24284	Seal ring	1
5	37F5-24016	Rubber Boot	2
6	37QA-24031	Clamp	2
7	35.6B2-06802	Pipe clip ass'y	23
8	37Q01-24087	Rubber Boot	2
	37Q75-24084	Rubber Boot	2
9	37F-24012	Nylon Boot	1
	37QB80D-24013	Harness strip	1
10	37N-24061	Adhesive plaster, press	20

11. CAB

CA5001 Cab	11-3
CA5002 Cab Front Mounting	11-5
CA5003 Cab Rear Mounting.....	11-8
CA5004 Cab Tilting Mechanism.....	11-10
CA5101A Cab Floor(for DFA1063DJ10-301/302/303).....	11-13
CA5101 Cab Floor(for DFA1063DJ14-301/302/303).....	11-16
CA5102 Cab Carpet.....	11-19
CA5201 Cab Front/Rear Windshield.....	11-22
CA5202 Windshield Wiper	11-24
CA5301 Cab Front Panel Facial Cover.....	11-26
CA5302 Cab Front Panel, Roof	11-28

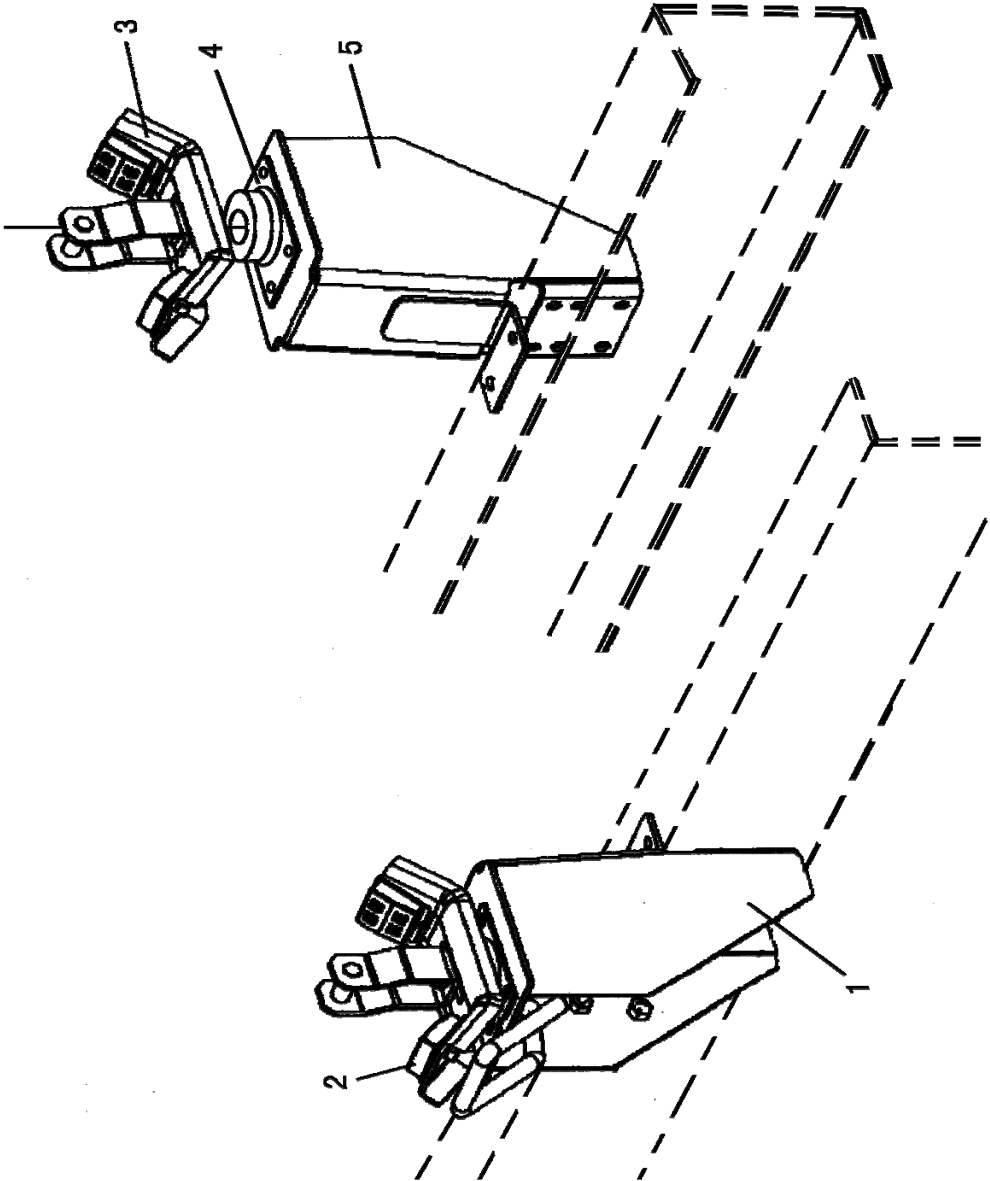
CA5303 Steering Apparatus Accessories	11-30
CA5304 Cab Instrument Panel	11-32
CA5401 Cab Side Wall(for DFA1063DJ14-301/302/303)	11-38
CA5601 Cab Rear Wall.....	11-41
CA6101 Door	11-43
CA6801 Seat.....	11-47
CA8101 Heater System	11-49
CA8101 Air conditioning System(For DFA1063DJ10/14-301/303) ...	11-52
CA8201 Cab Accessories	11-55
CA8202 Cab Safety Belt.....	11-58
CA8401 Cab Mudguard	11-60

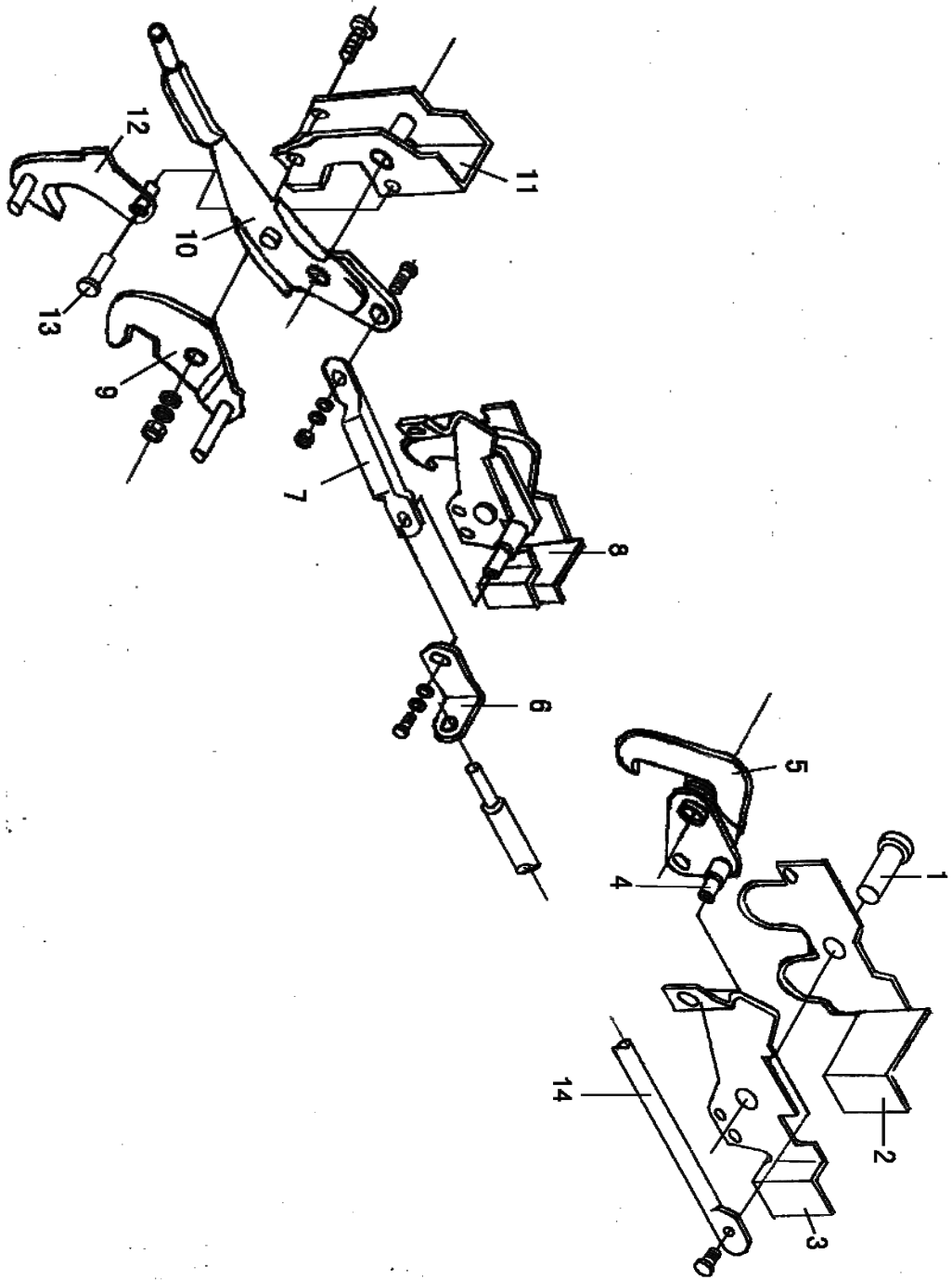




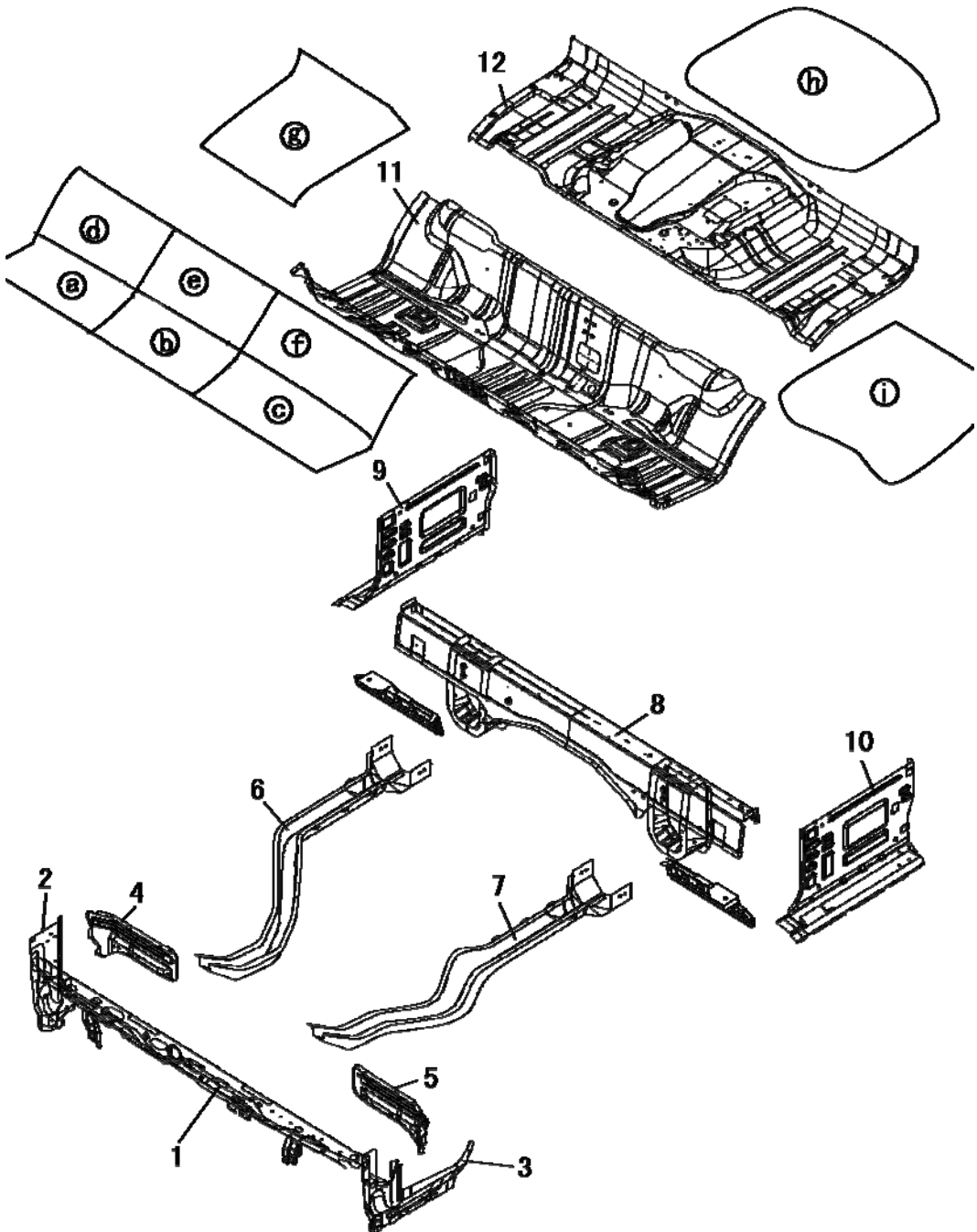
P5002DP01

CA5002		Cab Front Mounting	
NO.	PART NO.	PART NAME & DESCRIPTION	QTY
1	CA500266-04025	Torsion bar arm assy	1
	Q150B1440	Bolt	1
	Q40314	Spring washer	1
2	CA500266-04045	Torsion bar	1
3	CA500250B-04030	Tilting bracket assy	1
	Q1841225	Bolt	6
4	CA5002J02-04009	Left bracket assy--front mounting	1
	Q150B1245	Bolt	4
	Q340B12	Nut	4
	Q40112	Plain washer	8
	Q40312	Spring washer	4
5	CA5002J02-04010	Right bracket assy--front mounting	1
	Q150B1245	Bolt	4
	Q340B12	Nut	4
	Q40112	Plain washer	8
	Q40312	Spring washer	4
6	CA500250B-05006	Retainer lower assy	1
	Q150B1030	Bolt	2
	Q340B10	Nut	2
	Q40110	Plain washer	4



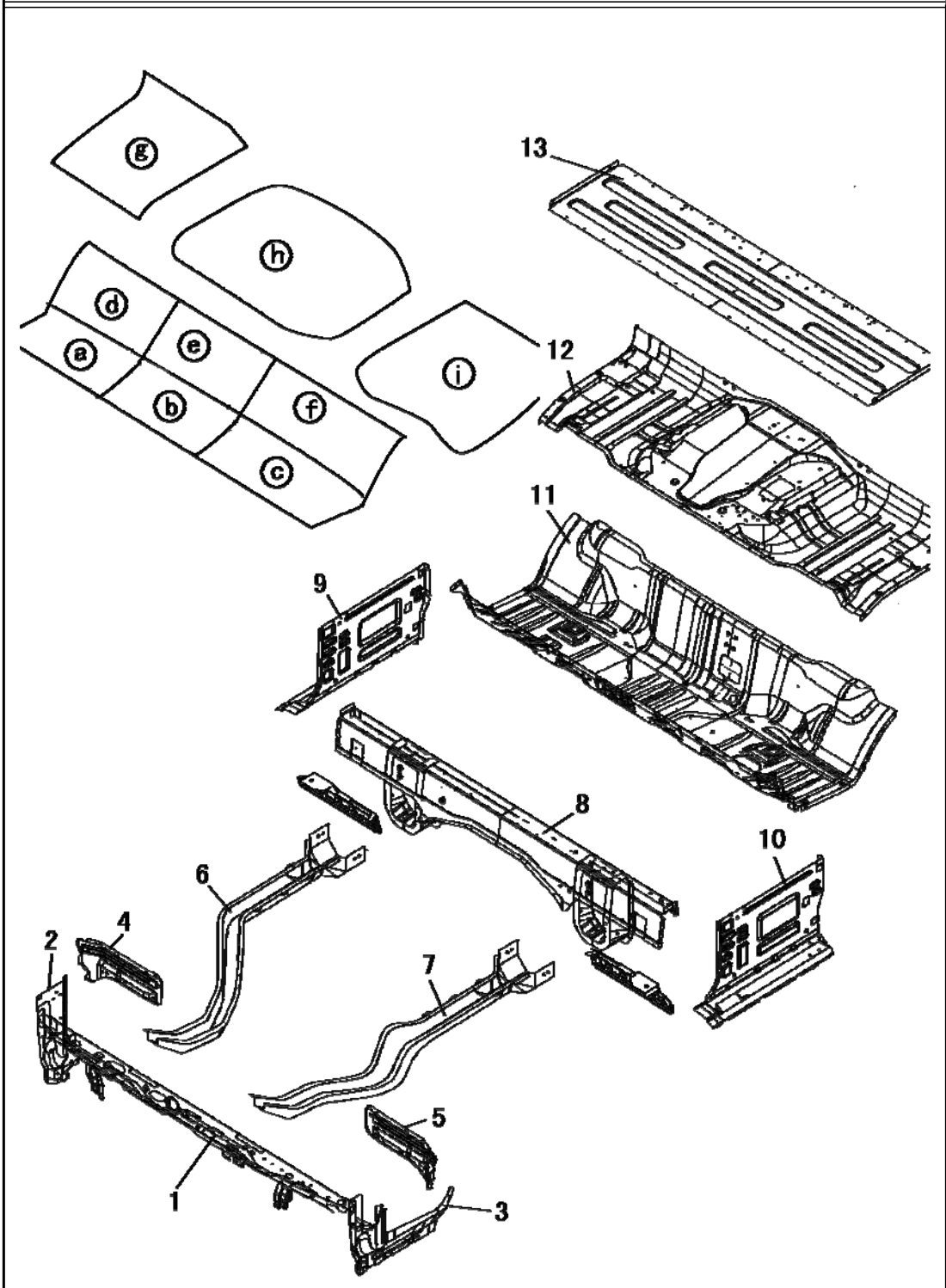


CA5004		Cab Tilting Mechanism	
NO.	PART NO.	PART NAME & DESCRIPTION	QTY.
	CA500466-02010	(Incl. NO.1~5))	1
1	CA500466-02018	Limiting shaft	1
2	CA500466-02016	Seat plate	1
3	CA500466-02017	Connecting bracket--controlling handle	1
4	CA500466-02019	shaft-roker arm	1
5	CA500466-02029	Roker arm assy	2
	CA500466-03040	-pull lever assy	1
6	CA500466-03043	Connecting bracket	1
7	CA500466-03041	Pull lever A	1
	Q40112	Plain washer	1
	Q41812	Spring washer	1
	Q500B3230	Cotter pin	1
	CA500466-03010	Controlling handle assy (Incl. NO.8~13))	1
8	CA500466-02015	Seat plate assy	1
9	CA500466-03020	Limiting arm assy	1
	CA500466-03031	Return spring-limiting arm assy	1
10	CA500466-03025	Controlling handle sub assy	1
	CA500466-03035	Return spring-controlling handle assy	1
11	CA500466-03015	Bottom plate assy	1
	Q340B08	Nut	1

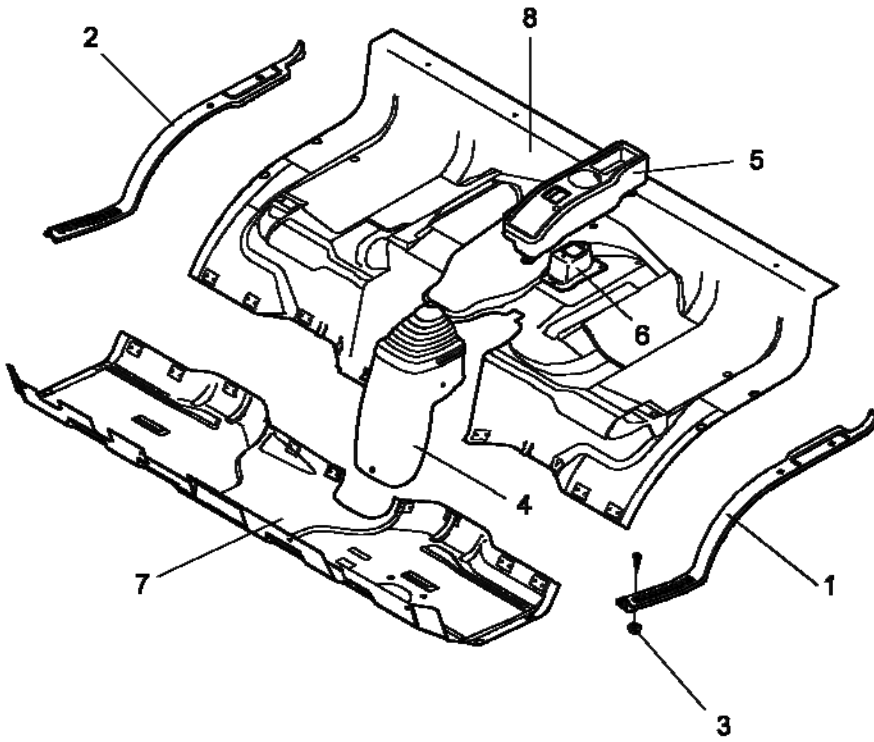


CA5101A Cab Floor (For DFA1063DJ10-301/302/303)

NO.	PART NO.	PART NAME & DESCRIPTION	QTY.
	CA5101AH21-00010	Floor welding assy	1
1	CA5101A66-01065	Front cross member assy--floor	1
2	CA5101A66-01156	Rear mudguard support plate assy, right	1
3	CA5101A66-01155	Rear mudguard support plate assy, left	1
4	CA5101A66-01214	Right front mudguard support plate	1
5	CA5101A66-01213	Left front mudguard support plate	1
6	CA5101A66-01106	Right longitudinal beam assy	1
7	CA5101A66-01105	Left longitudinal beam assy	1
8	CA5101A67-01130	Rear cross member welding assy	1
9	CA5101AA-01216	Rear vertical plate assy, right	1
10	CA5101AA-01215	Rear vertical plate assy, left	1
11	CA5101A49B-01010	Front floorr welding assy	1
12	CA5101AB03-01050	Rear floor welding assy	1
a	CA5101A66-02013	Right front fusible shockproof heat insulation--front floor	1
b	CA5101A66-02012	Center front fusible shockproof heat insulation--front floor	1
c	CA5101A66-02011	Left front fusible shockproof heat insulation--front floor	1
d	CA5101A66-02016	Right rear fusible shockproof heat insulation--front floor	1
e	CA5101A66-02015	Center rear fusible shockproof heat insulation--front floor	1
f	CA5101A66-02014	Left rear fusible shockproof heat insulation--front floor	1
g	CA5101A66-02018	Right fusible shockproof heat insulation--rear floor	1

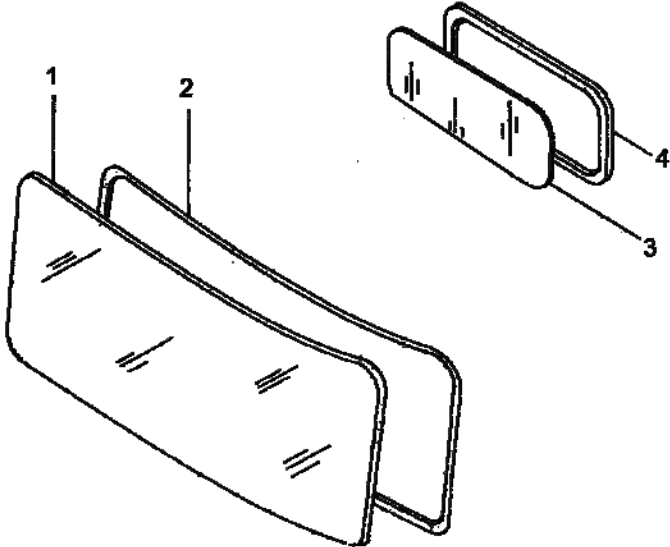


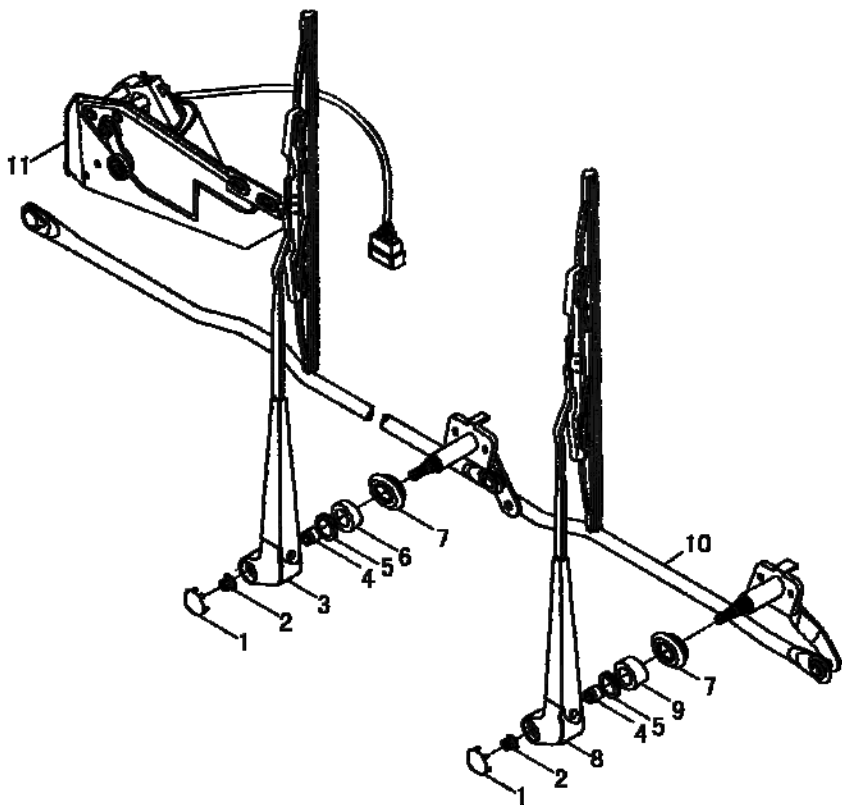
CA5101		Cab FloorCab Floor(for DFA1063DJ14-301/302/303)	
NO.	PART NO.	PART NAME & DESCRIPTION	QTY.
	CA5101H22-00010	Floor welding assy	1
1	CA510166-01065	Front cross member assy--floor	1
2	CA510166-01156	Rear mudguard support plate assy, right	1
3	CA510166-01155	Rear mudguard support plate assy, left	1
4	CA510166-01214	Right front mudguard support plate	1
5	CA510166-01213	Left front mudguard support plate	1
6	CA510166-01106	Right longitudinal beam assy	1
7	CA510166-01105	Left longitudinal beam assy	1
8	CA510166-01130	Rear cross member welding assy	1
9	CA510166-01216	Rear vertical plate assy, right	1
10	CA510166-01215	Rear vertical plate assy, left	1
11	CA510149B-01010	Front floorr welding assy	1
12	CA510103-01050	Rear floor welding assy	1
13	CA510166-01521	Bed--rear floor	
a	CA510166-02013	Right front fusible shockproof heat insulation--front floor	1
b	CA510166-02012	Center front fusible shockproof heat insulation--front floor	1
c	CA510166-02011	Left front fusible shockproof heat insulation--front floor	1
d	CA510166-02016	Right rear fusible shockproof heat insulation--front floor	1
e	CA510166-02015	Center rear fusible shockproof heat insulation--front floor	1
f	CA510166-02014	Left rear fusible shockproof heat insulation--front floor	1



P5102DP01

CA5102		Cab Carpet	
NO.	PART NO.	PART NAME & DESCRIPTION	QTY.
1	CA510266-02057	doorsill shielding board-left	1
	Q2706316	bolt	4
2	CA510266-02058	doorsill shielding board-right	1
	Q2706316	bolt	4
3	CA5102A-02059	Plastic nut assembly	8
	CA5102-02062	Plastic jam	4
4	CA5102E11-02060	gearlever shielding cover assembly	1
	RQ2160516	bolt	3
5	CA5102E11-02070	Shielding cover-hand brake	1
	RQ1760620	bolt	4
6	CA510266-02073-A	bracket assembly-hand control valve	1
	RQ1760820	Bolt	3
	Q40108	Washer	3
	Q40308	Spring washer	3
7	CA510266-02026	Front carpet assy	1
8	CA510266-02027	Rear carpet assy	1
	CA5102A-03061	Bracket-dustproof cover	1
	CA510266-02710	left connect bracket assembly-life belt	1
	CA510266-02720	RIGHT connect bracket assembly-life belt	1
	51QC-02070	Plastic clip seat assembly	11

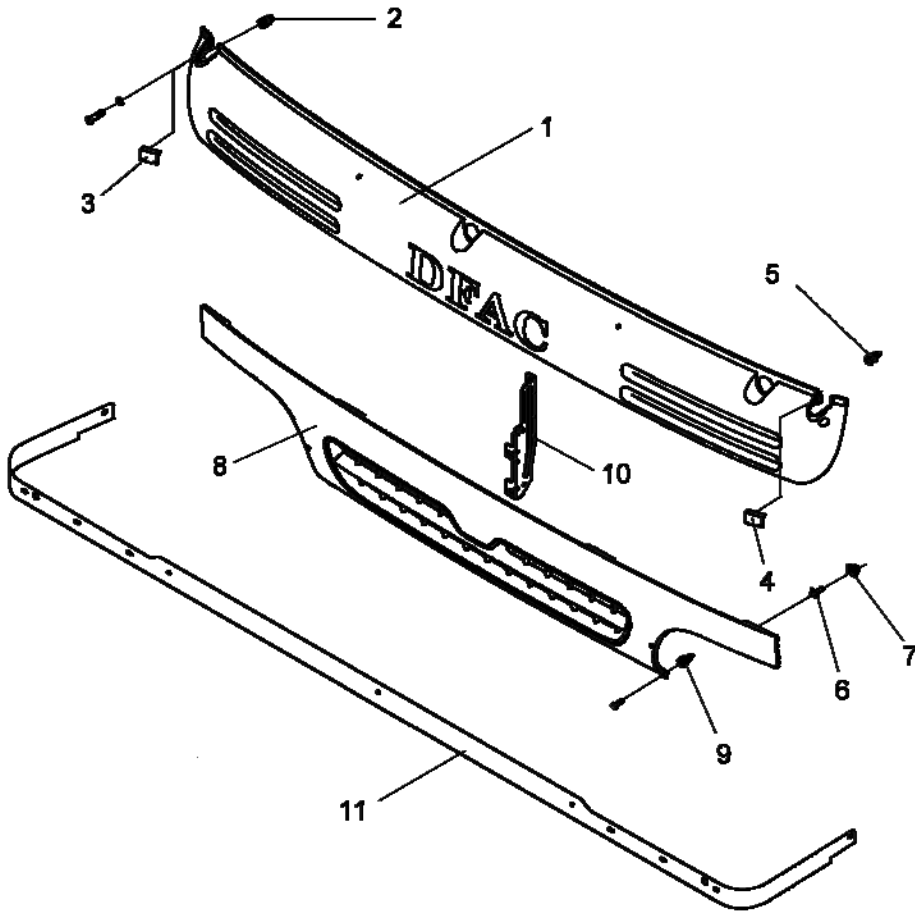




CA5202

Windshield Wiper

NO.	PART NO.	PART NAME & DESCRIPTION	QTY.
	CA520266-05010	Wiper assy (included 1--10)	1
	RQ1760616	Guide bolt	4
	RQ42306	Saucer spring washer	4
1	CA5202A-05063	Decorative cover	2
2	Q32010	Flange nut	2
3	CA520266-05049	Wiper arm blade assy, left	1
4	52QA-05066	Sealing bush	2
5	52QA-05068	Big nut	2
6	52QA-05071	Left ballas	1
7	52QA-05074	Sealing bush	2
8	CA520266-05050	Wiper arm blade assy, right	1
9	52QA-05072	Right ballast	1
10	CA520266-05020	Drive mechanism	1
11	CA520250-41010	Wiper motor	1
	RQ1760625	Guide bolt	4
	RQ42006	Saucer spring washer	2
	RQ42306	Saucer spring washer	2

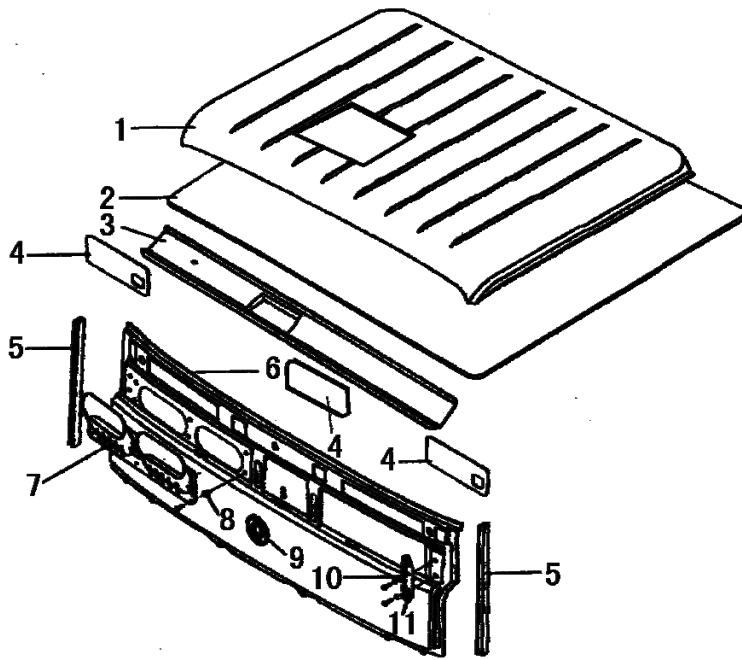


P5301DP01

CA5301

Cab Front Panel Facial Cover

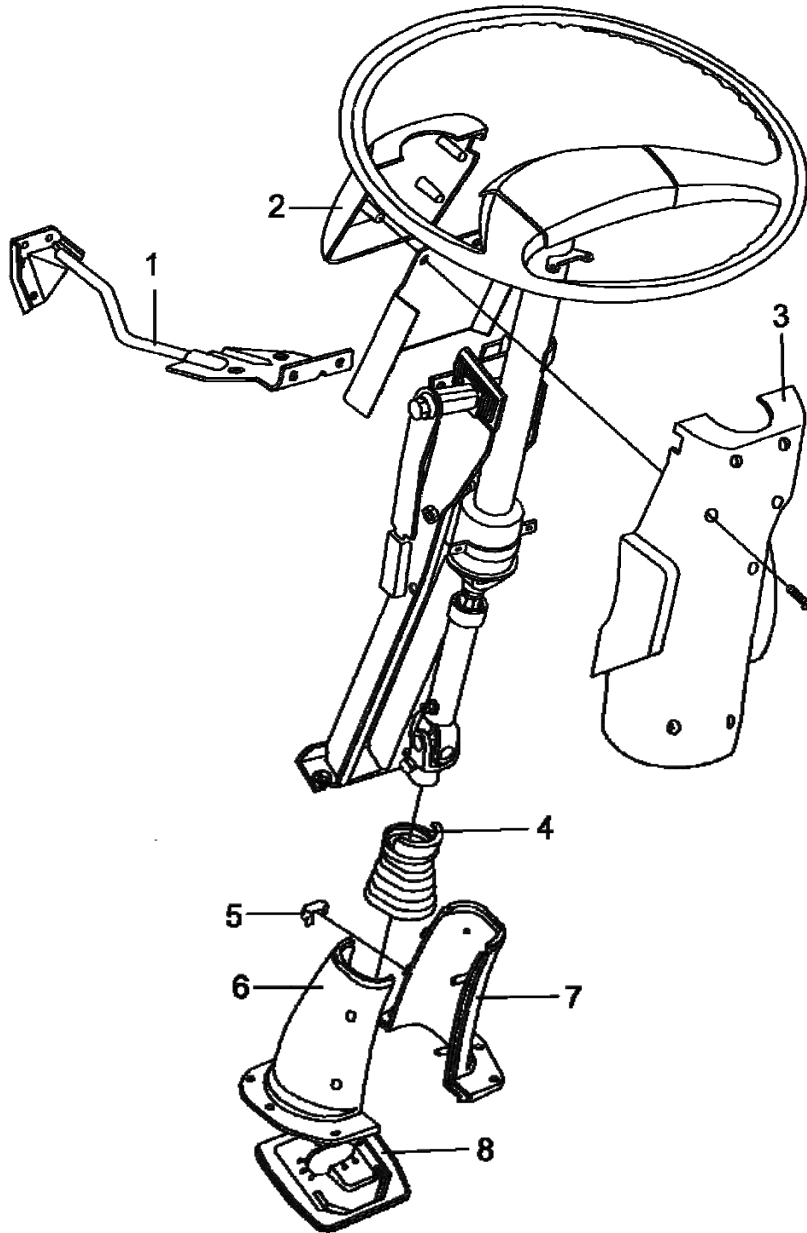
NO.	PART NO.	PART NAME & DESCRIPTION	QTY.
1	CA530166-01070	Front panel upper facial cover	1
	RQ2160616	Screw	2
	Q40106	Plain washer	2
2	53N-02821-A	Shrapnel nut	2
3	CA530166-01071	Left blank cover	1
4	CA530166-01072	Right blank cover	1
5	53QA-01080	Clip assy--front panel upper cover	7
6	53QA-01123	Clip--front panel lower cover	4
7	53QA-01124	Clip seat--front panel lower cover	4
8	CA530166A-01030	Front panel upper cover	1
	53QA-01122	cushion -lower cover	5
9	51QA-02059	Plastic nut	2
	Q2710512	Tapping screw	2
10	CA530166-01131	Bracket--lower cover	1
	Q1400616	Bolt	2
11	CA530166-01133	Lower ornamental bar-front panel lower cover	1



CA5302

Cab Front Panel, Roof

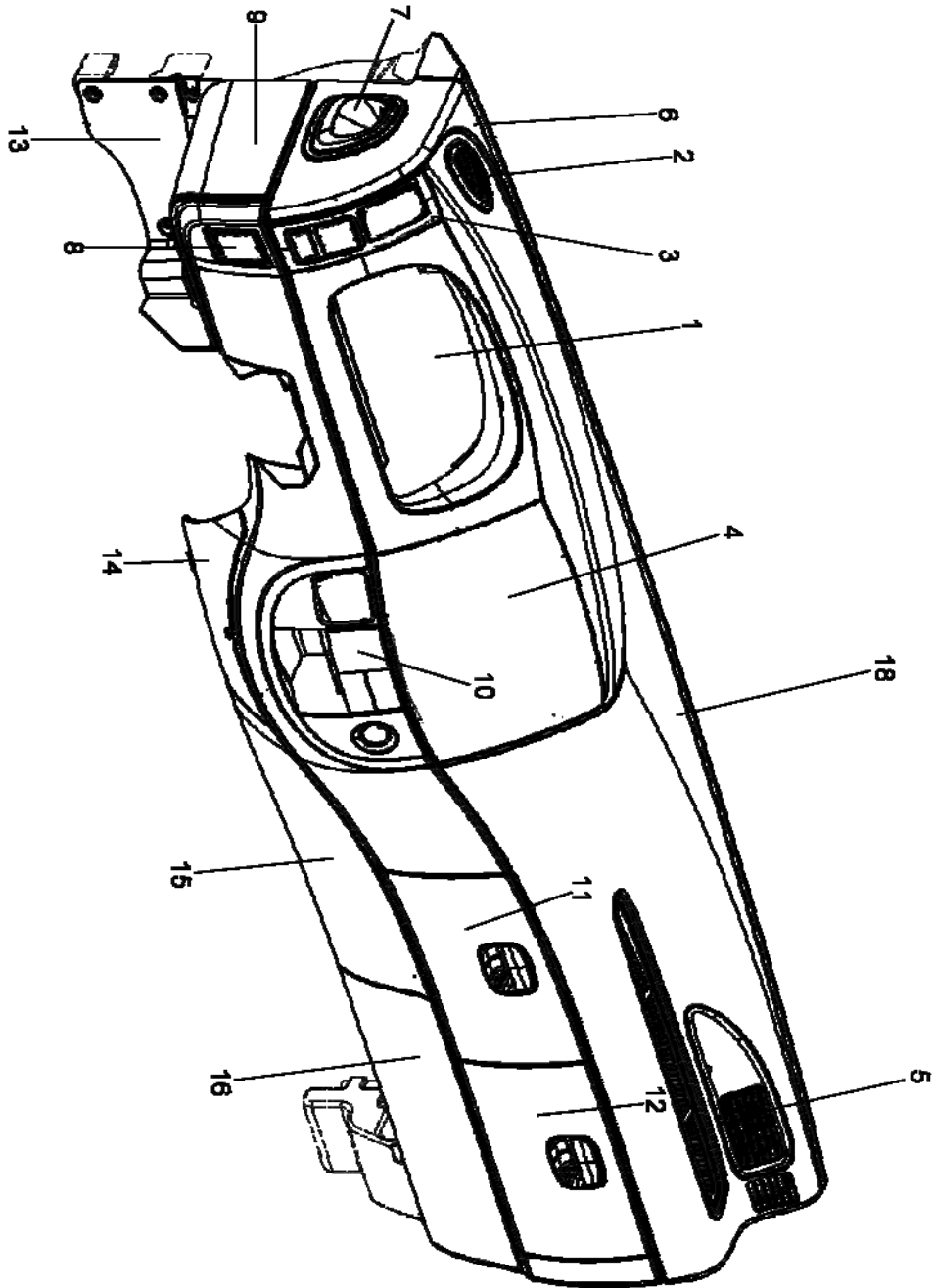
NO.	PART NO.	PART NAME & DESCRIPTION	QTY.
1	CA530266-01010	Roof assy	1
2	CA530266A-02010-A	Roof inner trim assy	1
3	CA530266-01050	Front cross member assy--roof	1
4	CA530266-01163	Front panel fusible heat insulation--side	2
	CA530266-01164	Front panel fusible heat insulation--middle	1
5	53QA-01127	Sealing strip	2
6	CA530266-00010	Front panel welding assy	1
7	53QA-01150	Front panel air inlet cover assy	1
8	51QA-02059	Plastic nut assy	6
	Q2706316	Tapping screw	6
9	CA5302B10H-01085	Emblem assy	1
10	CA5302A-01076	Rear view mirror bracket shaft sleeve	1
11	CA5302F16-01073	Rear view mirror left bracket	1
	CA5302F16-01074	Rear view mirror right bracket	1
	Q1400616	Bolt	2
	Q1480116	Hex bolt and conical snap ring set	2
	Q2706316	Tapping screw	6
	CA5302E11-04005	Clearstory assembly	1
	CA5302E11-04023	Clearstory grid	1



CA5303

Steering Apparatus Accessories

NO.	PART NO.	PART NAME & DESCRIPTION	QTY.
1	CA5303A-01170	Steering column bracket assy	1
	Q1400816	Bolt	4
	CA5303E11-01205	Steering column upper shroud assy (included 2, 3)	1
2	CA5303E11-01210	Steering column upper shroud-- front	1
3	CA5303E11-01207	Steering column upper shroud--rear	1
	Q2710512	Tapping screw	4
4	CA5303A-01212	Sealing bush	1
	CA5303G-01220	Steering column lower shroud assy	1
5	53F5-02063	Spring clip--steering column lower shroud	3
6	CA5303G-01221	Left body--steering column lower shroud	1
7	CA5303G-01222	Right body--steering column lower shroud	1
	Q2706316	Tapping screw	5
	Q2796322	Tapping screw	6
8	53DB01-01216	Lower sealing gasket	1

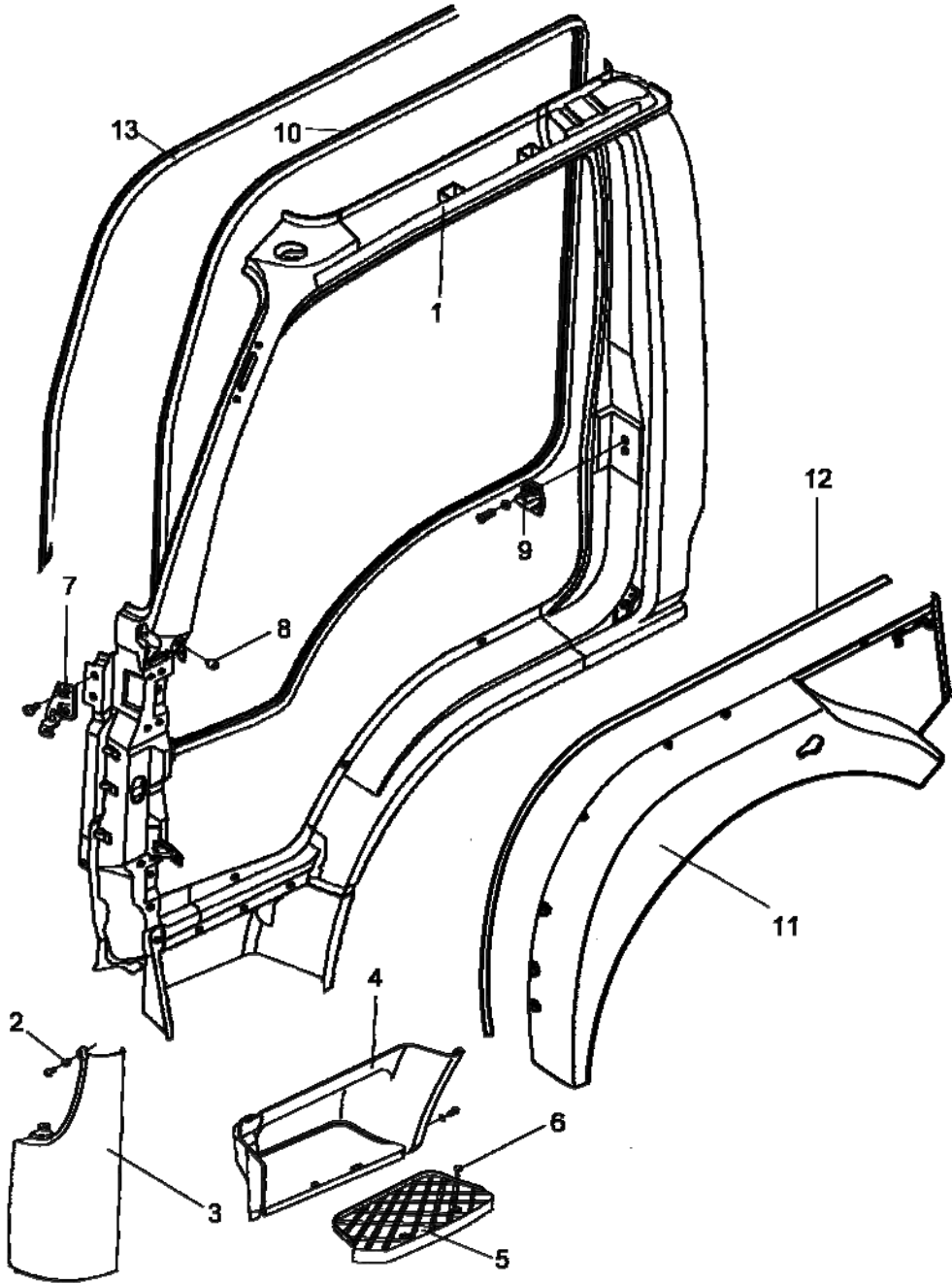


P5304DA01

CA5304		Cab Instrument Panel	
NO.	PART NO.	PART NAME & DESCRIPTION	QTY.
	CA5304E09-02110	Instrument panel assy	1
	CA5304E09-02120	Instrument panel body assy	1
	Q2704216	Screw	38
	Q2704216-Z5	Screw	11
	Q40005	Small washer	1
	RQ174B0508	Bolt	1
1	CA5304E09-02130	Instruments fram assy	1
2	CA5304E09-02135	Left fog removing assy	1
3	CA5304E09-02140	Left A/C window decorate board assy	1
4	CA5304E09-02145	Middle	1
5	CA5304E09-02150	Right A/C window decorate board assy	1
6	CA5304E09-02159	Instrument panel left frost removing cover board assy	1
	CA5304E09-02160	Instrument panel right frost removing cover board assy	1
7	CA5304E09-02168	Braking kettle cover board	1
8	CA5304E11-02155	Power supply switch decorate board	1
9	CA5304E11-02166	Driving side end cover board	1
10	CA5304E11-02170	Ashtray assy	1
11	CA5304E11-02180	Middle glove box assy	1
12	CA5304E11-02190	Right glove box assy	1
	CA5304E11-02203		1

CA5401A

Cab Side Wall(for DFA1063DJ10-301/302/303)



P5401DN05

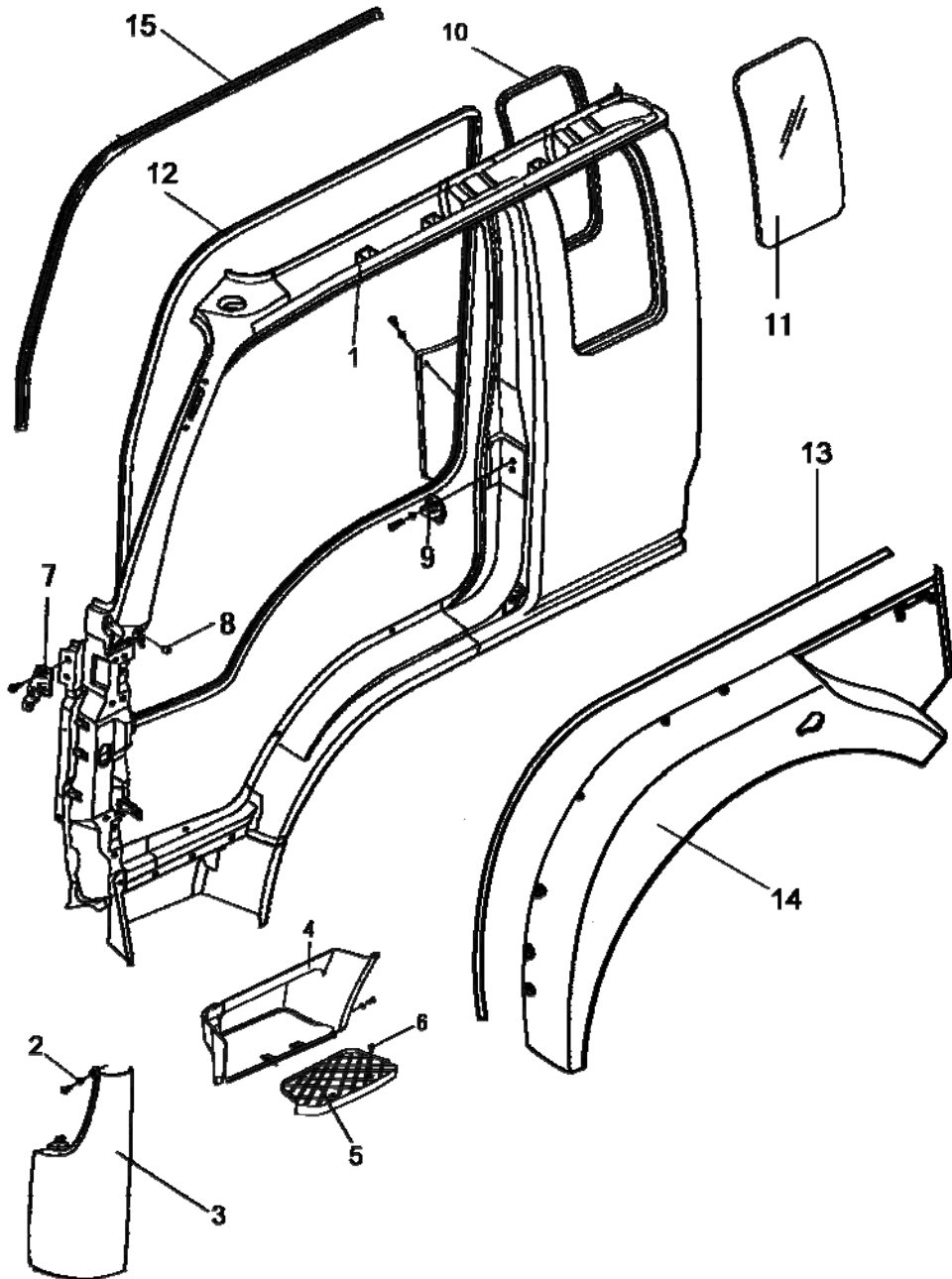
CA5401
Cab Side Wall(for DFA1063DJ10-301/302/303)

NO.	PART NO.	PART NAME & DESCRIPTION	QTY.
1	CA5401E10-01009	Left side panel welding assy	1
	CA540167A-01010	Right side panel welding assy	1
	CA5401E11-02017	Lower shielding board-left rear side	1
	CA5401E10-02019	Lower shielding board-right rear side	1
	CA5401E11-03011	support board-left front	1
	CA5401E10-02018	Lower shielding board- left rear side	1
	CA5401E10-02020	upper shielding board- left rear side	1
	CA5401E11-03012	support board-right front	1
	CA540166-01143	Decorativestrip-left pedal	1
	CA540166-01144	Decorativestrip-right pedal	1
2	51QA-02059	Plastic nut assy	10
	Q2706316	Tapping screw	10
3	54QA-02011	Outer cover plate assy, left side panel	1
	54QA-02012	Outer cover plate assy, right side panel	1
4	CA540166-02021	Step shroud, left	1
	CA540166-02022	Step shroud, right	1
	Q174B0516	Screw	4
	Q40205	Plain washer	8
	Q340B05	Nut	4
5	CA540166-01141	Step pad, left	1

CA5401			
Cab Side Wall(for DFA1063DJ10-301/302/303)			
NO.	PART NO.	PART NAME & DESCRIPTION	QTY
	CA540166-01142	Step pad, right	1
6	CA5401E11-02025	Screw assy--step pad	4
7	54QA-02017	Outer cover plate front bracket, left	1
	54QA-02018	Outer cover plate front bracket, right	1
8	54QA-02031	Damping rubber nail	2
9	6105QA-025	Door lock pin assy	4
	Q2560816	Raised countersunk head screw	8
	Q41408	Lock washer	8
10	CA540166A-07009	Sealed strip assembly-left door	1
	CA540166A-07010	Sealed strip assembly-right door	1
11	CA540150B-02079	Cover assembly-left	1
	CA540150B-02080	Cover assembly-right	1
12	CA540167-02083	Sealing stip-left cover	1
	CA540167-02084	Sealing stip-left cover	1
13	61QA-07029	Sealing strip assy, door frame	2

CA5401

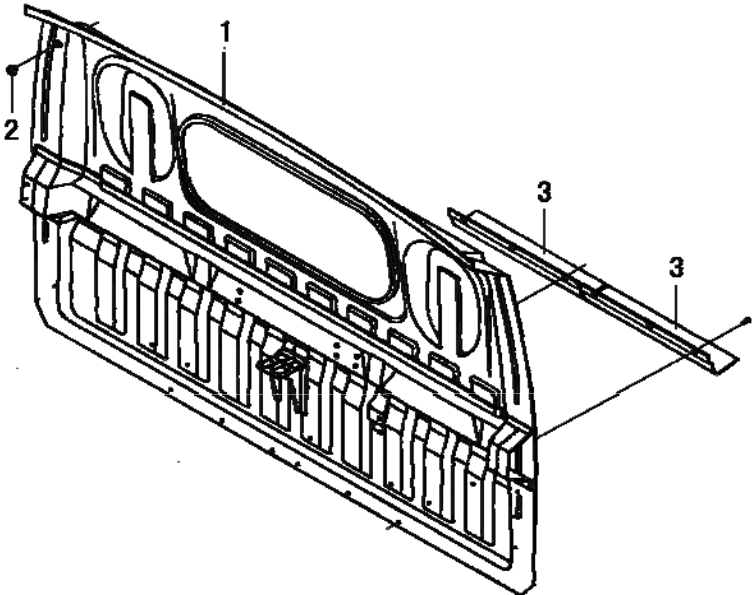
Cab Side Wall (for DFA1063DJ14-301/302/303)

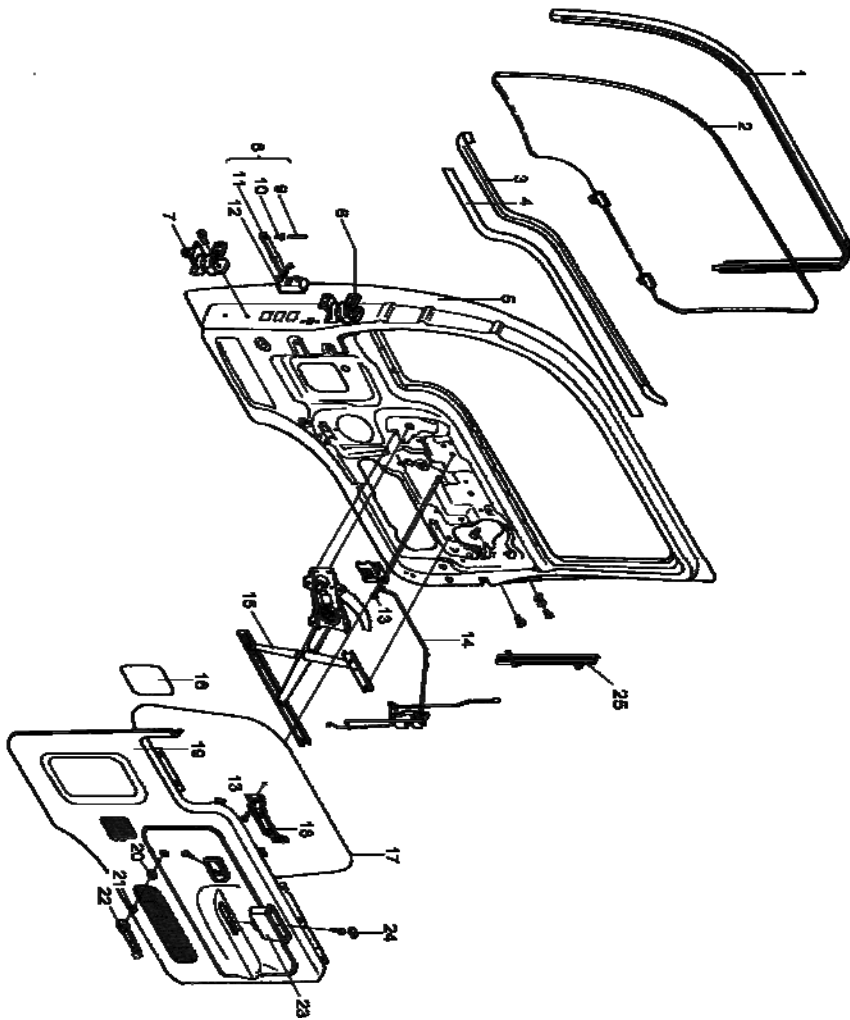


CA5401
Cab Side Wall(for DFA1063DJ14-301/302/303)

NO.	PART NO.	PART NAME & DESCRIPTION	QTY.
1	CA5401E11-01009	Left side panel welding assy	1
	CA540167A-01010	Right side panel welding assy	1
	CA5401E11-02017	Lower shielding board-left rear side	1
	CA5401E11-02019	Lower shielding board-right rear side	1
	CA5401E11-03011	support board-left front	1
	CA5401E11-02018	Lower shielding board- left rear side	1
	CA5401E11-02020	upper shielding board- left rear side	1
	CA5401E11-03012	support board-right front	1
	CA540166-01143	Decorativestrip-left pedal	1
	CA540166-01144	Decorativestrip-right pedal	1
2	51QA-02059	Plastic nut assy	10
	Q2706316	Tapping screw	10
3	54QA-02011	Outer cover plate assy, left side panel	1
	54QA-02012	Outer cover plate assy, right side panel	1
4	CA540166-02021	Step shroud, left	1
	CA540166-02022	Step shroud, right	1
	Q174B0516	Screw	4
	Q40205	Plain washer	8
	Q340B05	Nut	4
5	CA540166-01141	Step pad, left	1

CA5401			
Cab Side Wall(for DFA1063DJ14-301/302/303)			
NO.	PART NO.	PART NAME & DESCRIPTION	QTY
	CA540166-01142	Step pad, right	1
6	54DE11-02025	Screw assy--step pad	4
7	54QA-02017	Outer cover plate front bracket, left	1
	54QA-02018	Outer cover plate front bracket, right	1
8	54QA-02031	Damping rubber nail	2
9	6105QA-025	Door lock pin assy	4
	Q2560816	Raised countersunk head screw	8
	Q41408	Lock washer	8
10	CA540149-02070	Side weather strip assy	2
11	CA540149-02060	Right side window assy	1
	CA540149-02059	Left side window assy	1
12	CA540166A-07009	Sealed strip assembly-left door	1
	CA540166A-07010	Sealed strip assembly-right door	1
13	CA540166-02083	Sealing stip-left cover	1
	CA540166-02084	Sealing stip-left cover	1
14	CA540149B-02079	Cover assembly-left	1
	CA540149B-02080	Cover assembly-right	1
15	61QA-07029	Sealing strip assy, door frame	2

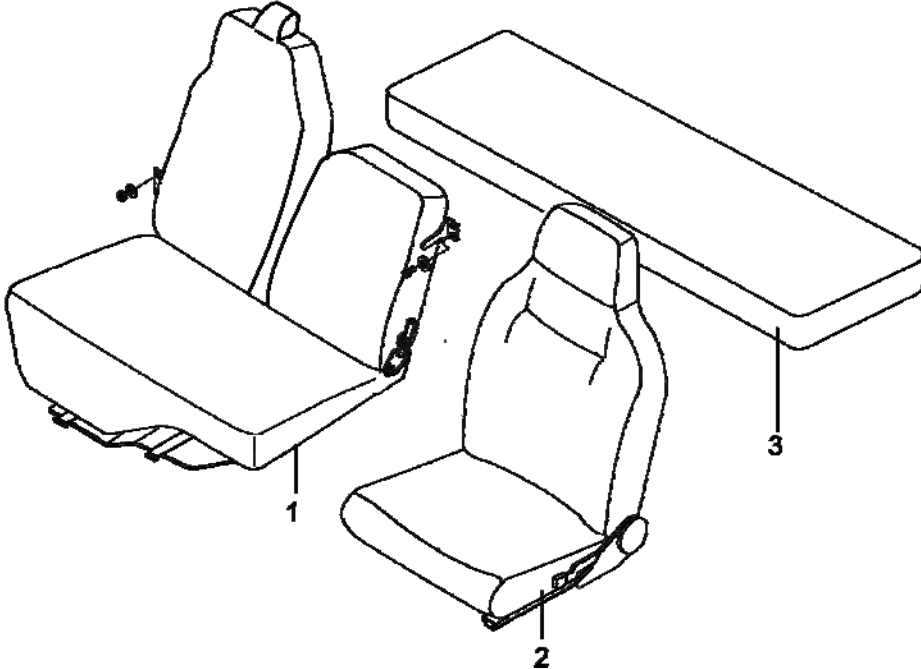




CA6101			Door
NO.	PART NO.	PART NAME & DESCRIPTION	QTY.
1	CA6101-03009-B	Upper weather strip, left door	1
	CA6101-03010-B	Upper weather strip, right door	1
2	CA6101-03061	Left door windshield	1
	CA6101-03062	Right door windshield	1
3	CA6101-03019	Window outside weather strip assy--left	1
	CA6101-03020	Window outside weather strip assy--right	1
4	CA6101-03029	Window inside weather strip assy--left	1
	CA6101-03030	Window inside weather strip assy--right	1
5	CA6101-00119	Left door assy	1
	CA6101-00120	Right door assy	1
6	CA6101-06010	Door upper hinge assy	2
7	CA6101-06019	Left door lower hinge assy	1
	CA6101-06020	Right door lower hinge assy	1
	Q1480820	Hex bolt and conical spring washer set	14
8	CA6101-06049	Left door retainer assy	1
	CA6101-06050	Right door retainer assy	1
9	CA6101-06067	Retainer axis pin	2
10	CA6101-06066	Retainer bush	2
11	CA6101-06065	Retainer lever assy	2
	Q1840616	Bolt	4

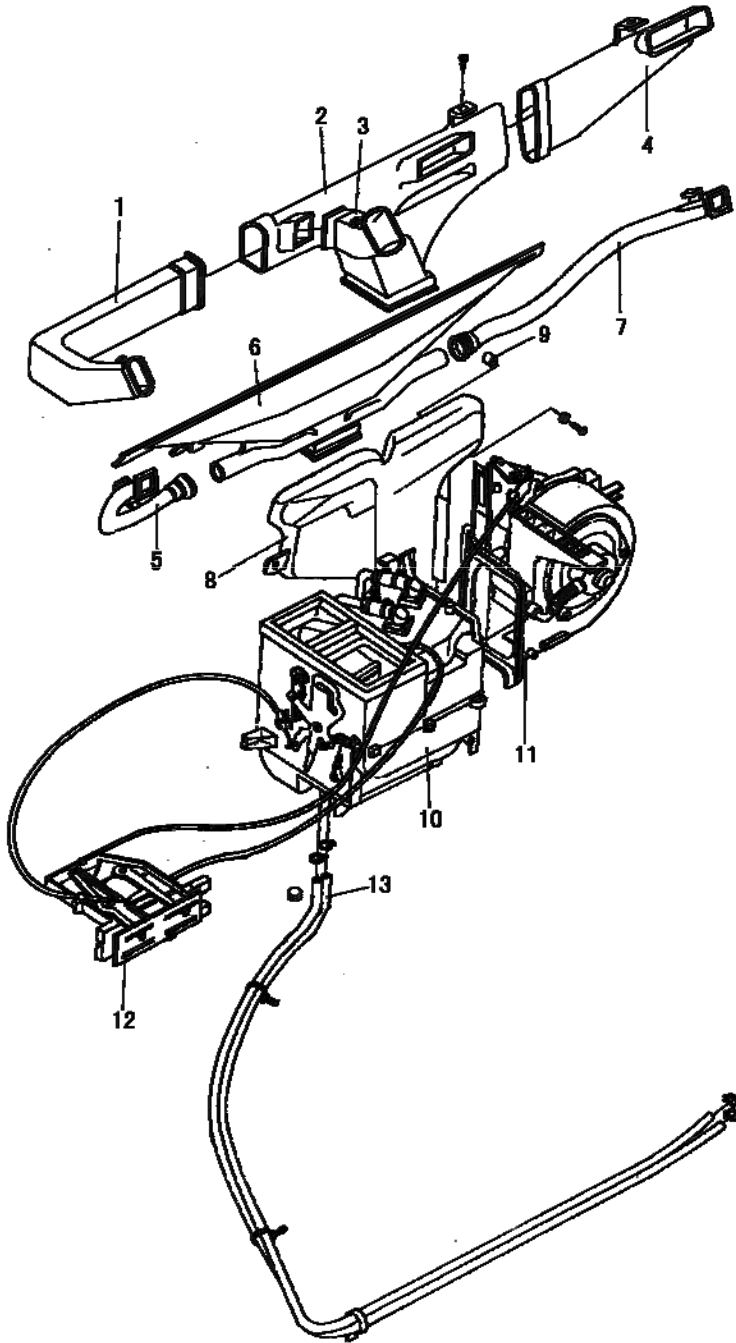
CA6101			Door
NO.	PART NO.	PART NAME & DESCRIPTION	QTY.
12	CA6101-06055	Retainer body assy	2
13	61QA-02033	Tapping screw	8
	Q2560510-Z5	Screw	2
14	CA6101-05009	Left door lock and controlling mechanism assy	1
	CA6101-05010	Right door lock and controlling mechanism assy	1
	Q2540620	Screw	6
	Q32206	Lock nut	2
	Q41406	Lock washer	6
15	CA6101-009	Regulator assy, left door windshield	1
	CA6101-010	Regulator assy, right door windshield	1
	Q32206	Lock nut	4
	Q350B06	Nut	4
	Q40006	Small washer	4
17	61QA-02075	Left door waterproof film assy	1
	61QA-02076	Right door waterproof film assy	1
18	CA6101-02032	Left door inner pull hand bracket	1
	CA6101-02033	Right door inner pull hand bracket	1
19	CA6101-02049	Left door inner protect board assy	1
	CA6101-02050	Right door inner protect board assy	1
	Q2710412	Tapping screw	2

CA6101			Door
NO.	PART NO.	PART NAME & DESCRIPTION	QTY.
20	61QA-04016	Handle jacket	2
21	61QA-04018	Spring clip--handle	2
22	CA6101-04019	Door regulator knob assy	2
23	CA6101-05061	Door inner pull hand shroud	2
	RQ2200512-Z3	Screw	2
	Q40105	Plain washer	2
24	CA6101-02044	Shroud plug cover	2
	61QA-05054	Guide clip	2
25	61QA-02009	Rear guide rail assy, left door windshield	1
	61QA-02010	Rear guide rail assy, right door windshield	1
	Q2140610	Screw	2
	Q340B06	Nut	2
	Q40106	Plain washer	2
	Q40406	Spring washer	2



CA6801 Seat

NO.	PART NO.	PART NAME & DESCRIPTION	QTY.
1	CA6801E11-00010	Seat back assy	1
	CA6801E11-00020	Cushion assy	1
	Q150B0816	Bolt	4
	Q150B0820	Bolt	2
	Q340B08	I type hex nut	4
	Q40108	Plain washer	6
	Q40308	Spring washer	10
2	CA6801E11-00010	Driver seat assy	1
	Q32008	Flange nut	2
3	CA6801E11-00010	Sleeper assy	1



CA8101

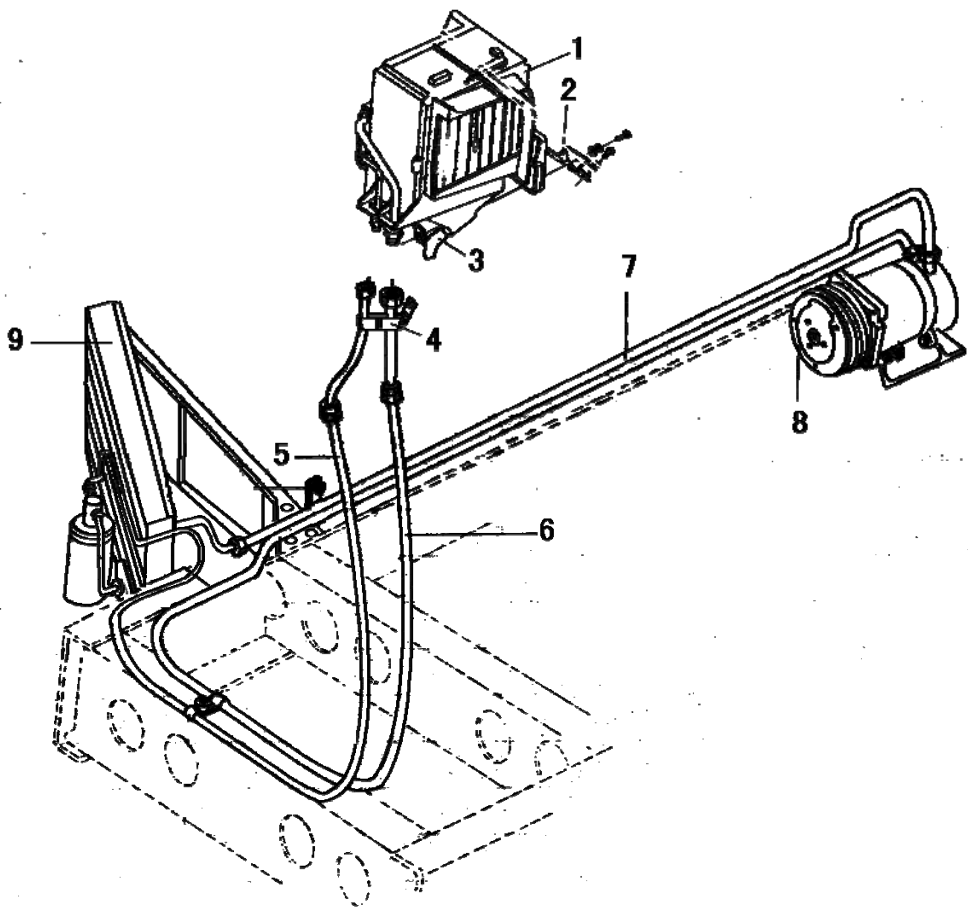
Heater System

NO.	PART NO.	PART NAME & DESCRIPTION	QTY
1	CA8101E11-02030	Left ventilator louver assy	1
2	CA8101E11-03040	Transition wind duct assy	1
3	CA8101E11-02010	Center wind duct assy	1
4	CA8101E11-02045	Right wind duct assy	1
5	CA8101E11-02020	Defrost pipe assy, left assy	1
6	CA810166-02215	Defrost nozzle assy	1
7	CA8101E11-02025	Defrost pipe assy, right door	1
8	81QA-02030	Wind inlet passage assy	1
9	51QA-02059	Plastic nut assy	1
	Q2706316	Tapping screw	1
	RQ1760616	Tapping screw	1
	Q40106	Plain washer	1
	Q2710516	Screw	10
	Q40105	Plain washer	10
10	CA8101E11-01010	Heater assy	1
	Q1760616	Guide bolt	5
	Q40206	Plain washer	6
	Q40306	Spring washer	6
	Q340B06	Nut	1
11	CA8101E11-01019	Blower assy	1

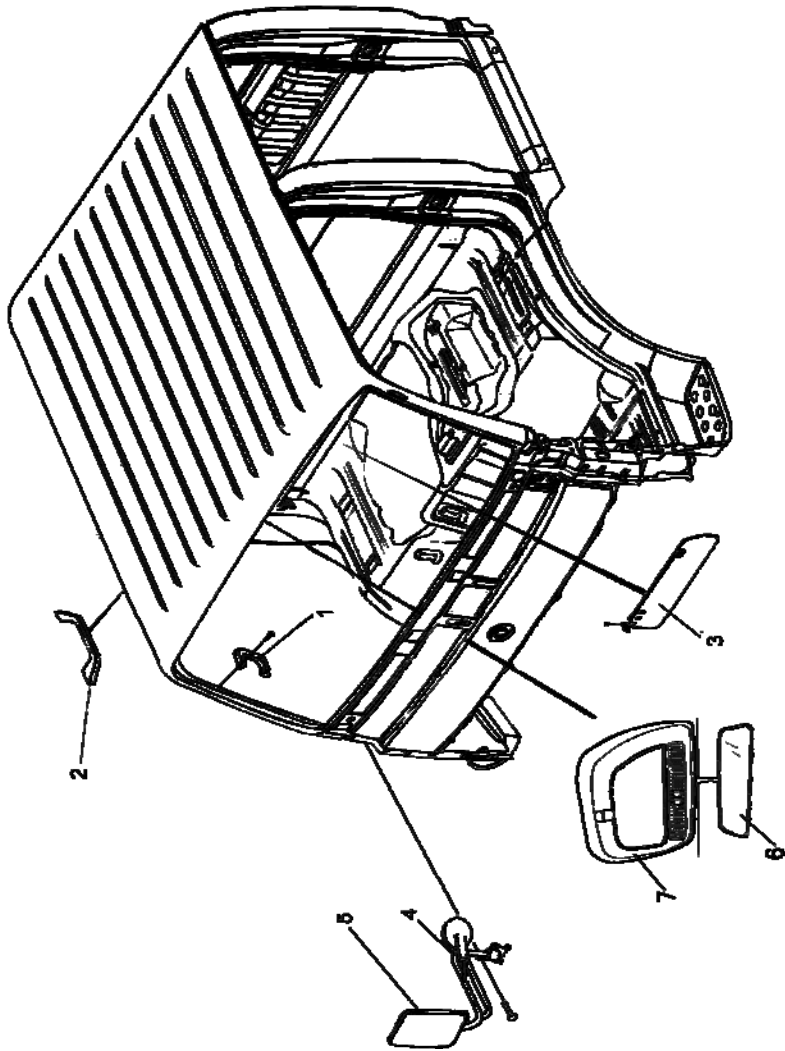
CA8101		Heater System	
NO.	PART NO.	PART NAME & DESCRIPTION	QTY
12	CA8101E11-01049	Heater controlling mechanism assy	1
	Q2710516	Tapping screw	4
	Q40105	Plain washer	4
13	CA8101J10-01037	Heater water inlet pipe-A	1
	CA8101J10-01038	Heater water outlet pipe-B	1
	81N-01017	Sleeve taper screw thread direct joint	1
	81QA-08082	Double tube clip	1
	81V66-08081	Single tube clip	1
	Q150B0620	Bolt	1
	Q340B06	I type hex nut	1
	Q340B12	I type hex nut	1
	Q40106	Plain washer	1
	Q40112	Plain washer	1
	Q40306	Spring washer	1
	Q40312	Spring washer	1
	Q68325	Middle fixed dual clip	1
	ZD250X7.5	Nylon lacing	4
	ZD300X8	Nylon lacing	2
	34N-08037	Thimble	4
	35.6B2-06810	Pipe clip assy	2

CA8101

Air conditioning System(For DFA1063DJ10/14-301/303)



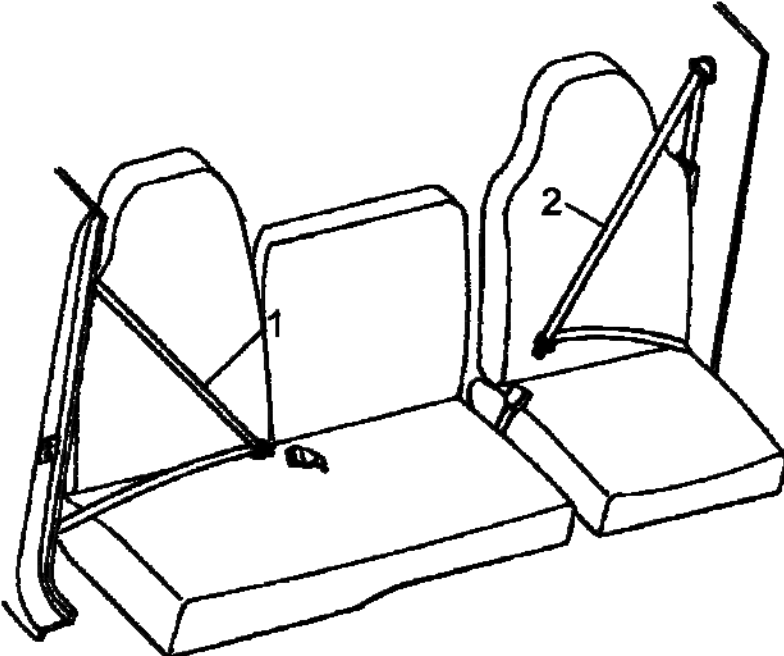
CA8101			
Air conditioning System(For DFA1063DJ10/14-301/303)			
NO.	PART NO.	PART NAME & DESCRIPTION	QTY
1	CA8101-07100	蒸发器总成 Evaporator assy	1
	Q2710516	自攻螺钉 Tapping screw	3
	Q40105	平垫圈 Plain washer	3
	RQ1760616	导向螺栓 Guide bolt	2
	Q40106	平垫圈 Plain washer	2
	Q40306	弹簧垫圈 Spring washer	2
2	CA8101-07026	蒸发器下支架 Evaporator lower bracket	1
	RQ1760816	导向螺栓 Guide bolt	2
	Q40108	平垫圈 Plain washer	2
	Q40308	弹簧垫圈 Spring washer	2
3	CA8101-07018	蒸发器排水管 Evaporator exhaust pipe	1
4	CA8101-08075	支架总成—蒸发器进出管 Bracket assy--evaporator inlet and outlet	1
	Q150B616	导向螺栓 Guide bolt	2
	Q40106	平垫圈 Plain washer	2
	Q40306	弹簧垫圈 Spring washer	2
5	CA8101J03-08200	管路总成—连蒸发器与冷凝器 Pipe assy--connecting evaporator and condensator	1
6	CA8101J11-08300	管路总成—连蒸发器与压缩机 Pipe assy--connecting evaporator and compressor	1
7	CA8101J11-08100	管路总成—连压缩机与冷凝器 Pipe assy--connecting compressor and condensator	1
8	CA8101-04100	压缩机总成—带离合器 Compressor assy--with clutch	1
	CA8101-04112	压缩机上支架 Compressor upper bracket	1

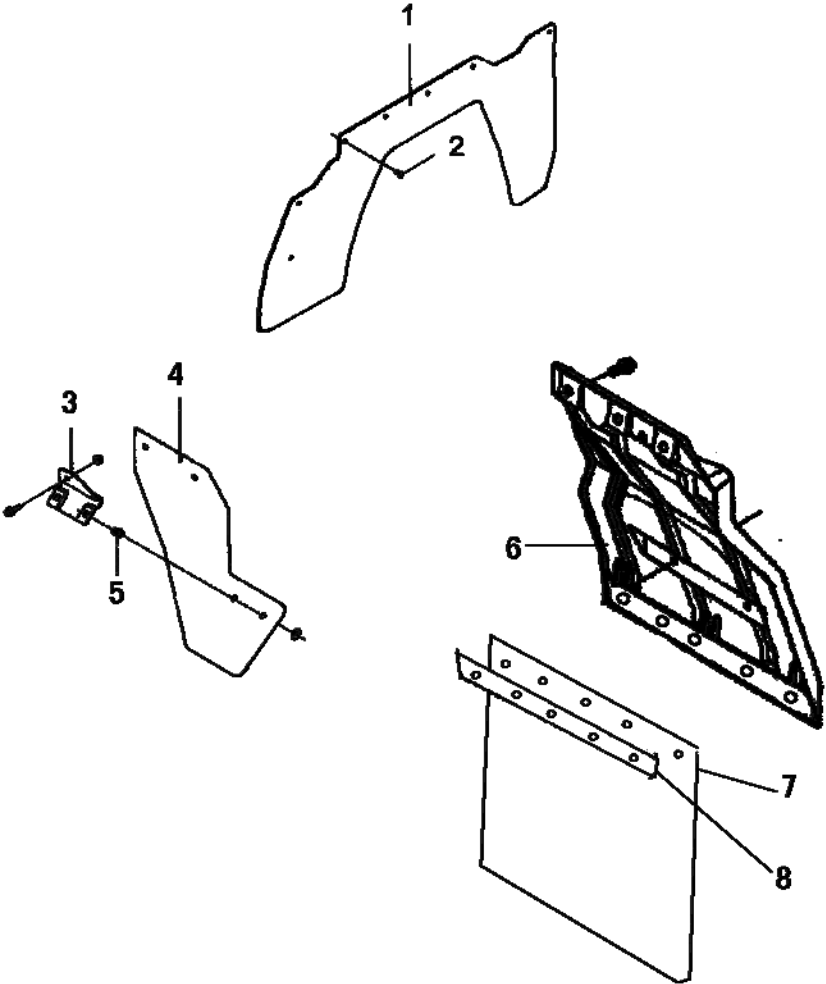


CA8201

Cab Accessories

NO.	PART NO.	PART NAME & DESCRIPTION	QTY
1	CA8201E11-00010	Armrest--front pillar	2
	RQ2160625	Pointed screw	4
	Q40106-Y	Plain washer	4
	Q40306	Spring washer	4
2	CA8201E11-00020	Armrest--side panel	1
	RQ2160516	Pointed screw	2
	RQ42305	Saucer spring washer	2
3	CA8201E11-04009	Left sun visor assy	1
	CA8201E11-04010	Right sun visor assy	
	Q2760520-Z5	Tapping screw	2
	82DE11-04012	Support seat--sun visor	1
	Q2760616-Z5	Tapping screw	1
4	CA8201J02-02009	Outer rear view mirror bar Aassy, left	1
	CA8201J02-02010	Outer rear view mirror bar assy, right	1
	RQ1760625	Guide bolt	8
	RQ42306	Saucer spring washer	8
5	CA8201-010	Rear view mirror assy, left	1
	CA8201-020	Rear view mirror assy, right	1
	8219Q68-010	Down view mirror assy	1
6	CA8201E11-01010	Inner rear view mirror assy	1
	Q2760520-Z5	Tapping screw	1

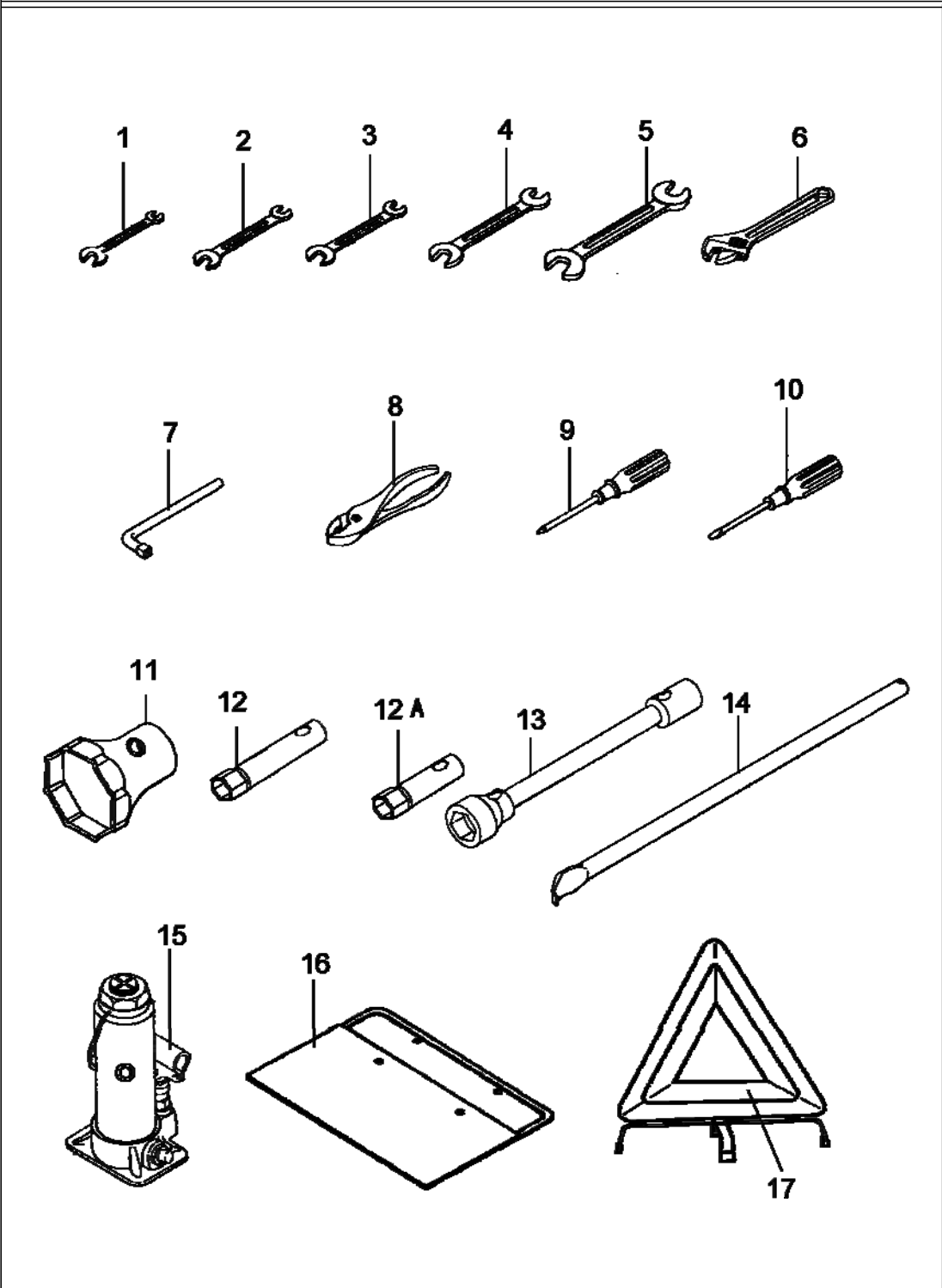




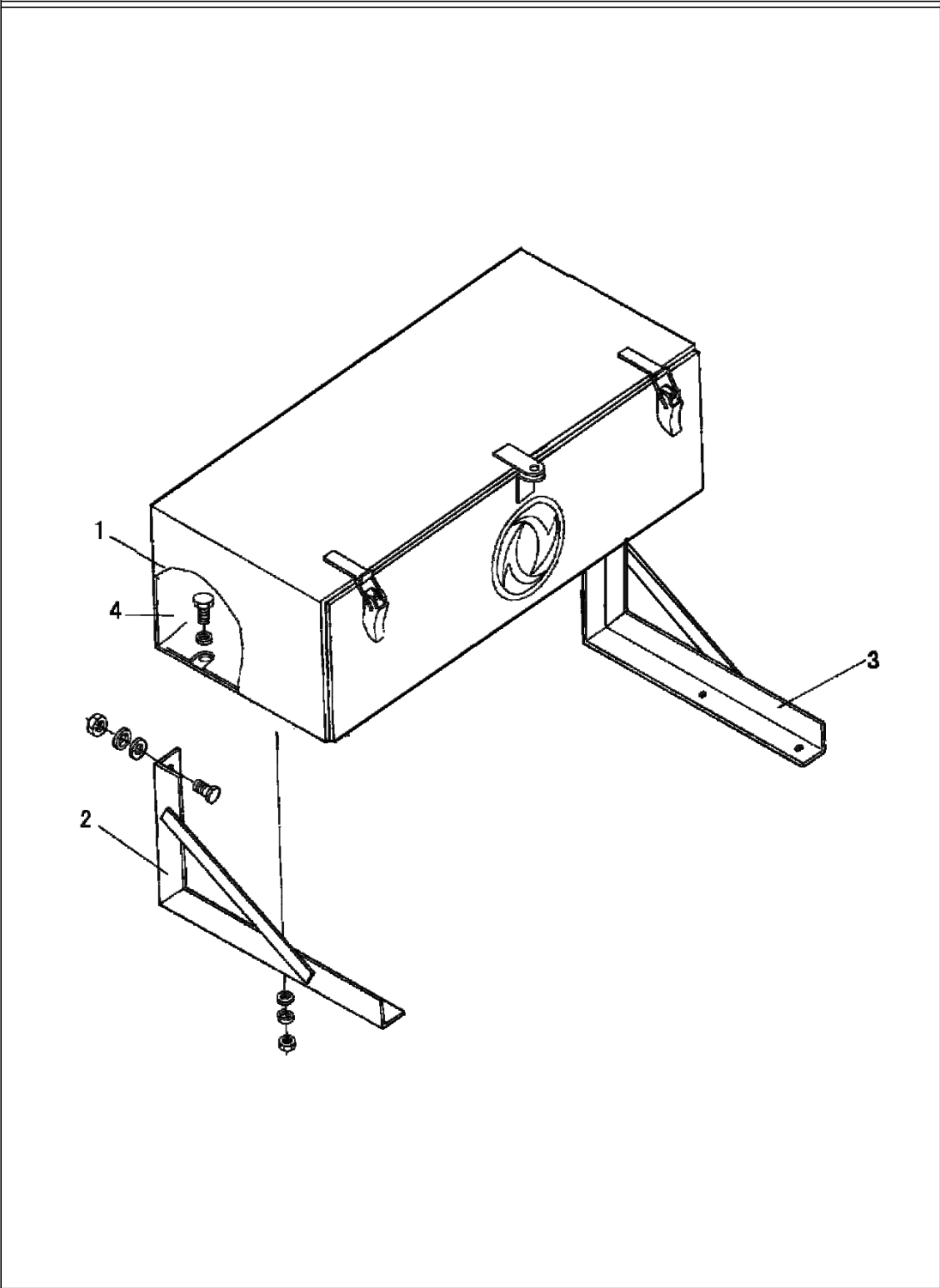
CA8401		Cab Mudguard	
NO.	PART NO.	PART NAME & DESCRIPTION	QTY.
1	CA8401-03067	Longitudinal rubber mudguard, left	1
	CA8401-03068	Longitudinal rubber mudguard, right	1
2	84QA-03072	Clip--longitudinal rubber mudguard	11
	Q1840616	Flange bolt	2
3	84QA-03121	Front mudguard bracket, left	1
	84QA-03122	Front mudguard bracket, right	1
	Q32006	Flange nut	2
4	CA8401A01-03111	Front mudguard, left	2
5	51QA-02059	Plastic nut assy	8
	Q2710616	Tapping screw	8
	Q40106	Plain washer	8
6	CA8401-03175	Rear mudguard, left	1
	CA8401-03176	Rear mudguard, right	1
	CA8401-03179		2
	CA8401-03182		2
7	CA8401-03177	Rubber mudguard	2
8	CA8401-03178	Binding--rubber mudguard	2
	Q174B0520	Hex bolt	5
	Q340B05	I type hex nut	5
	Q40105	Plain washer	5

12. TOOLS, CARGO BODY

TO3901 Tools.....	12-2
TO3902 Tool Box.....	12-5
CP8501 Cargo Body.....	12-7



TO3901			Tools
NO.	PART NO.	PART NAME & DESCRIPTION	QTY.
1	39C-01031	Spanner, double ends (8X10)	1
2	39C-01033	Spanner, double ends (12X14))	1
3	39N-01033	Spanner, double ends (13X15)	1
4	39N-01034	Spanner, double ends (16X18)	1
5	39N-01036	Spanner, double ends (21X24)	1
6	39C-15010-A	Small adjustable wrench ass'y(200X24)	1
7	39D-01073	Oil drainage plug wrench, axle shaft	1
8	39C-01140-A	Slip-joint pliers ass'y	1
9	39C-01100	Screw driver ass'y	1
10	39C-01120	Screw driver ass'y	1
11	39Q01-01066	Sleeve wrench, hub bearing nut(98)	1
12	39D5-01057	Rear sleeve wrench, rear leaf spring nut(27)	1
12A	39Q01-01053	Front sleeve wrench, rear leaf spring nut	
13	39D-01058	Sleeve wrench, wheel bolt & nut(22X38)	1
14	39C-01146	Rocker arm, tire lever and jack	1
15	QYL5D	Jack ass'y (hydraulic 5-ton)	1
16	3919J30-010	Tool bag	1
17	39QA-01010	Warning triangle	1
	39V66-03013-B	illumination name plate-cab over turn control	1
	39V66-04011	nameplate	1



TO3902

Tool Box

NO.	PART NO.	PART NAME & DESCRIPTION	QTY.
1	3919Q01-010-B	Tool box ass'y, fixed	1
2	39Q01-19015-B	Left bracket ass'y, tool box	1
3	39Q01-19020-B	Right bracket ass'y, tool box	1
	Q150B1025	Bolt	4
	Q340B10	Nut	4
	Q40310	Washer, spring	4
	Q40110	Washer	4
	Q150B0822	Bolt	4
	Q340B08	Nut	4
	Q40208	Washer, large	4
	Q40308	Washer, spring	4
4	3919Q01-022-B	Plate	1

